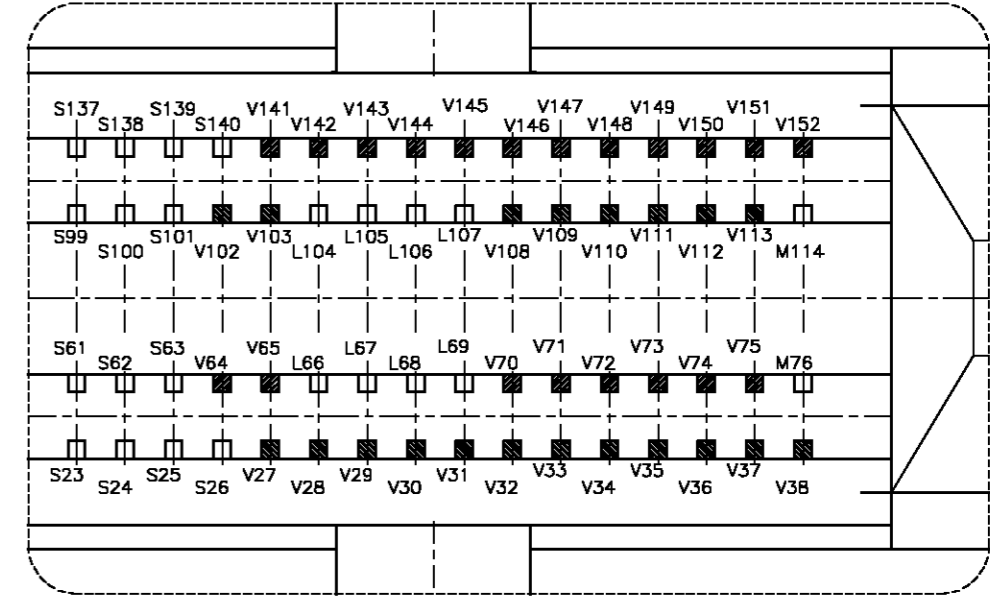
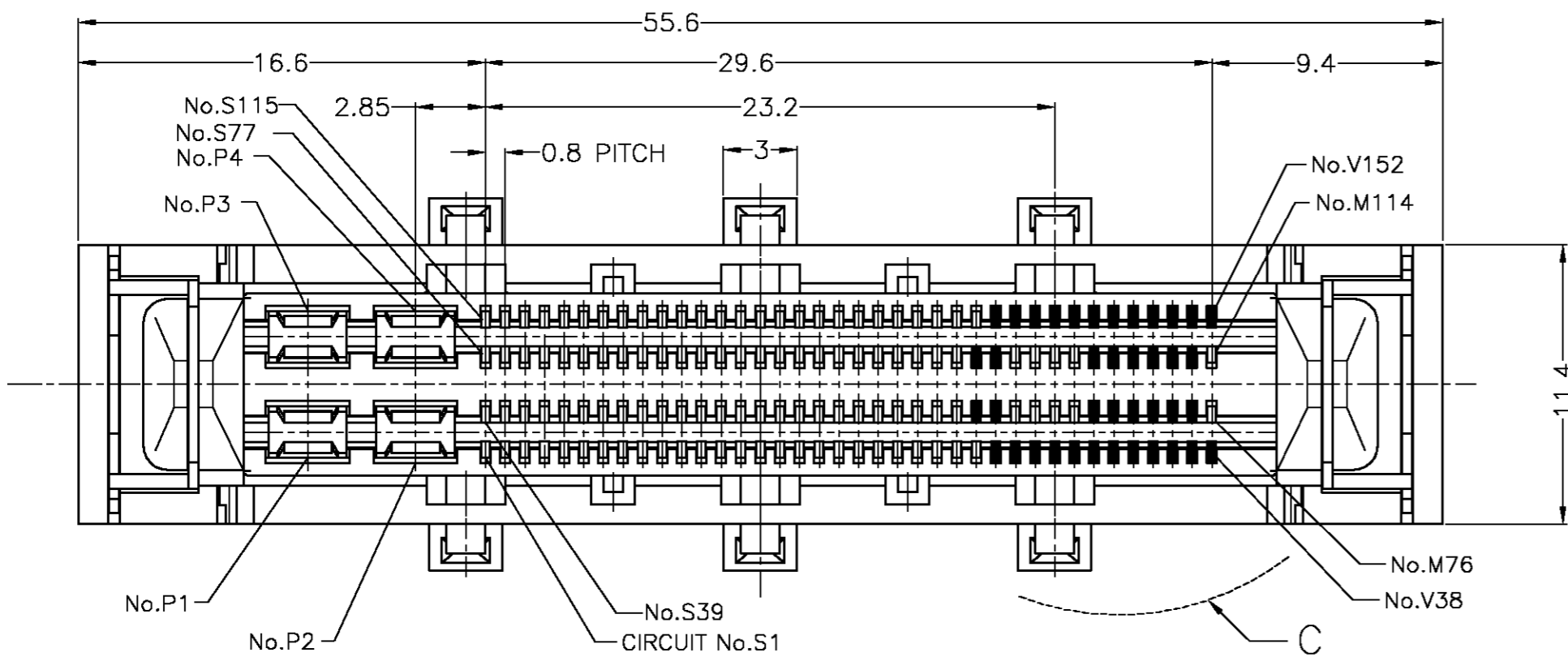
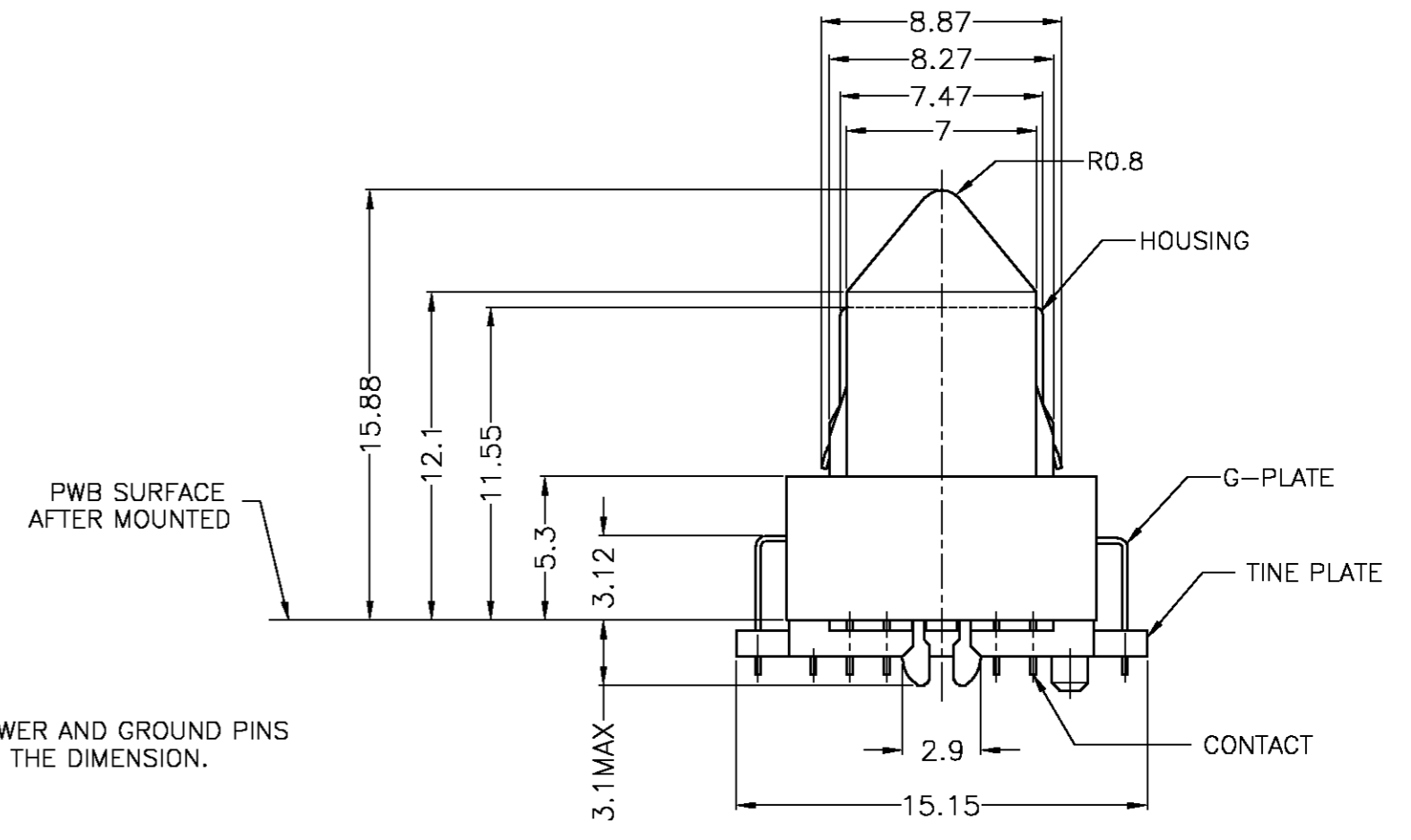
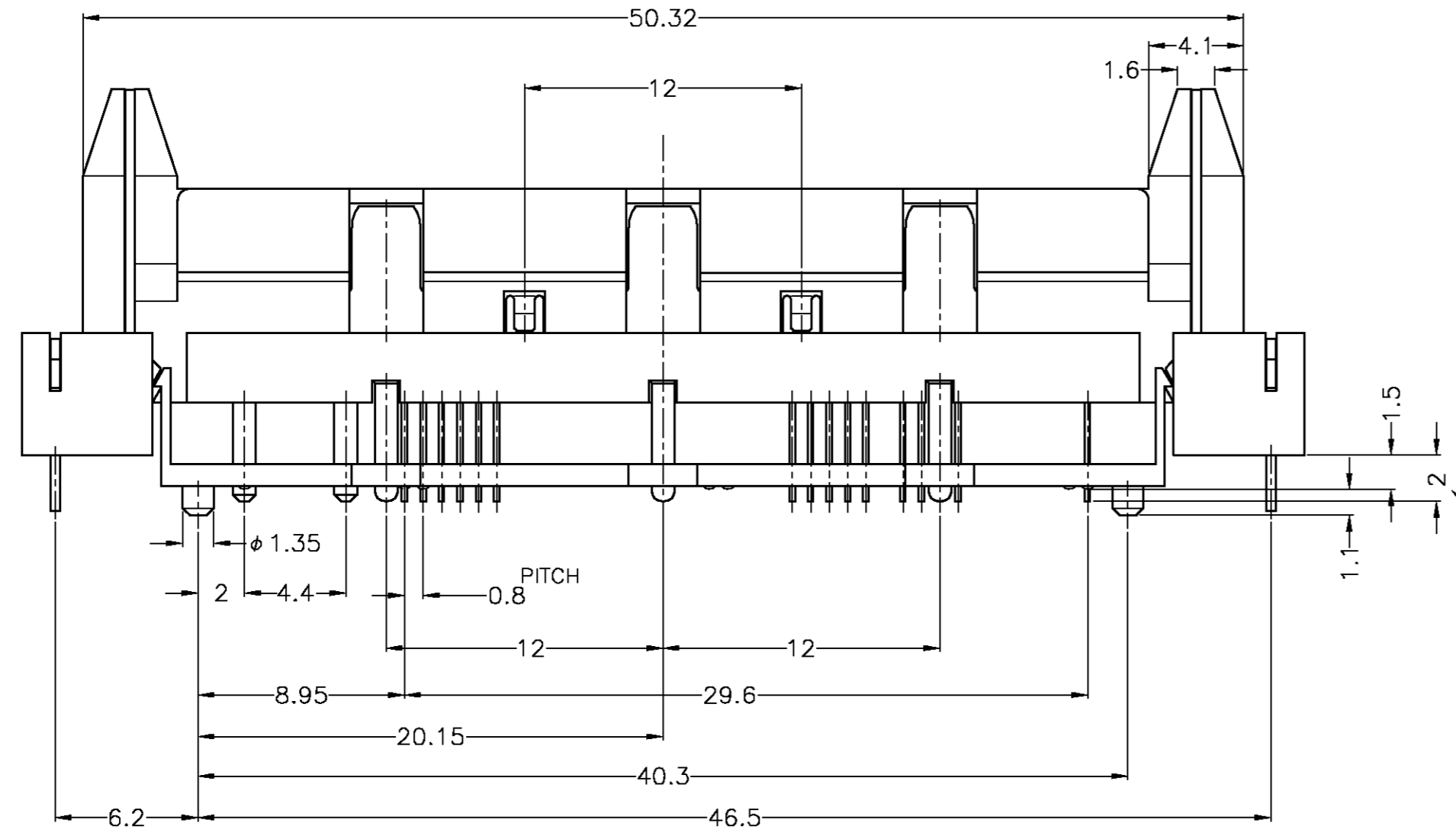


THIS DRAWING IS UNPUBLISHED. RELEASED FOR PUBLICATION 2001.  
 © COPYRIGHT 2001 BY TYCO ELECTRONICS CORPORATION. ALL RIGHTS RESERVED.

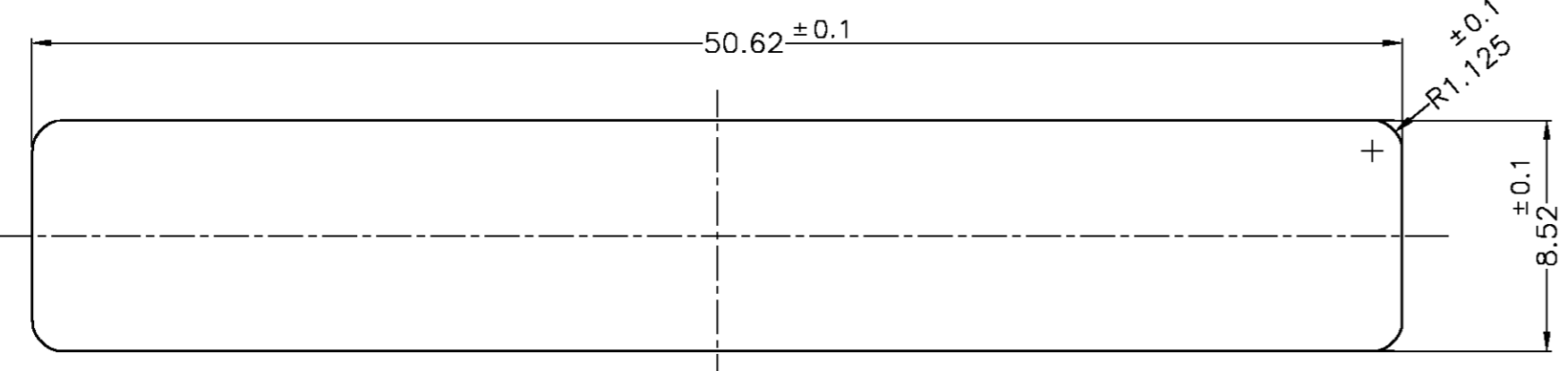
LOC	DIST	REVISIONS					
		P	LTR	DESCRIPTION	DATE	DWN	APVD
J		0		RELEASED(FJBO-1267-04)	11NOV04	M.K	Y.Y



DETAIL C (SCALE 8-1)  
 (THIS FIG. SHOWS VOID CONT. POSITION,  
 AND NOT COMPLETELY RIGHT FIGURE.)



SIGNAL, POWER AND GROUND PINS  
 ARE APPLIED THE DIMENSION.



PANEL OPENING DIM.

鉛フリー  
 LEAD FREE

NUMBER OF PINS	
SIGNAL	102P
MODEM	2P
LAN	8P
VOID	40P
POWER	4P

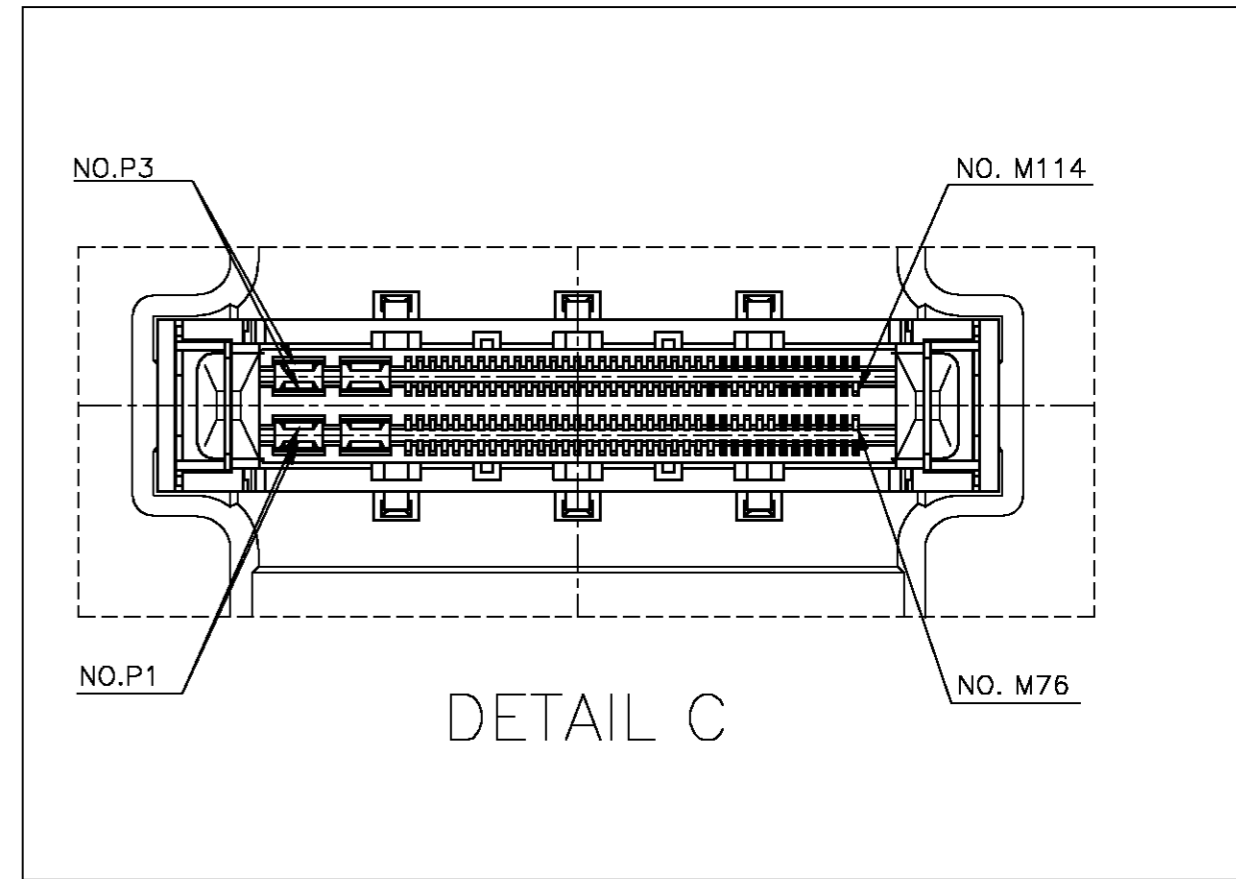
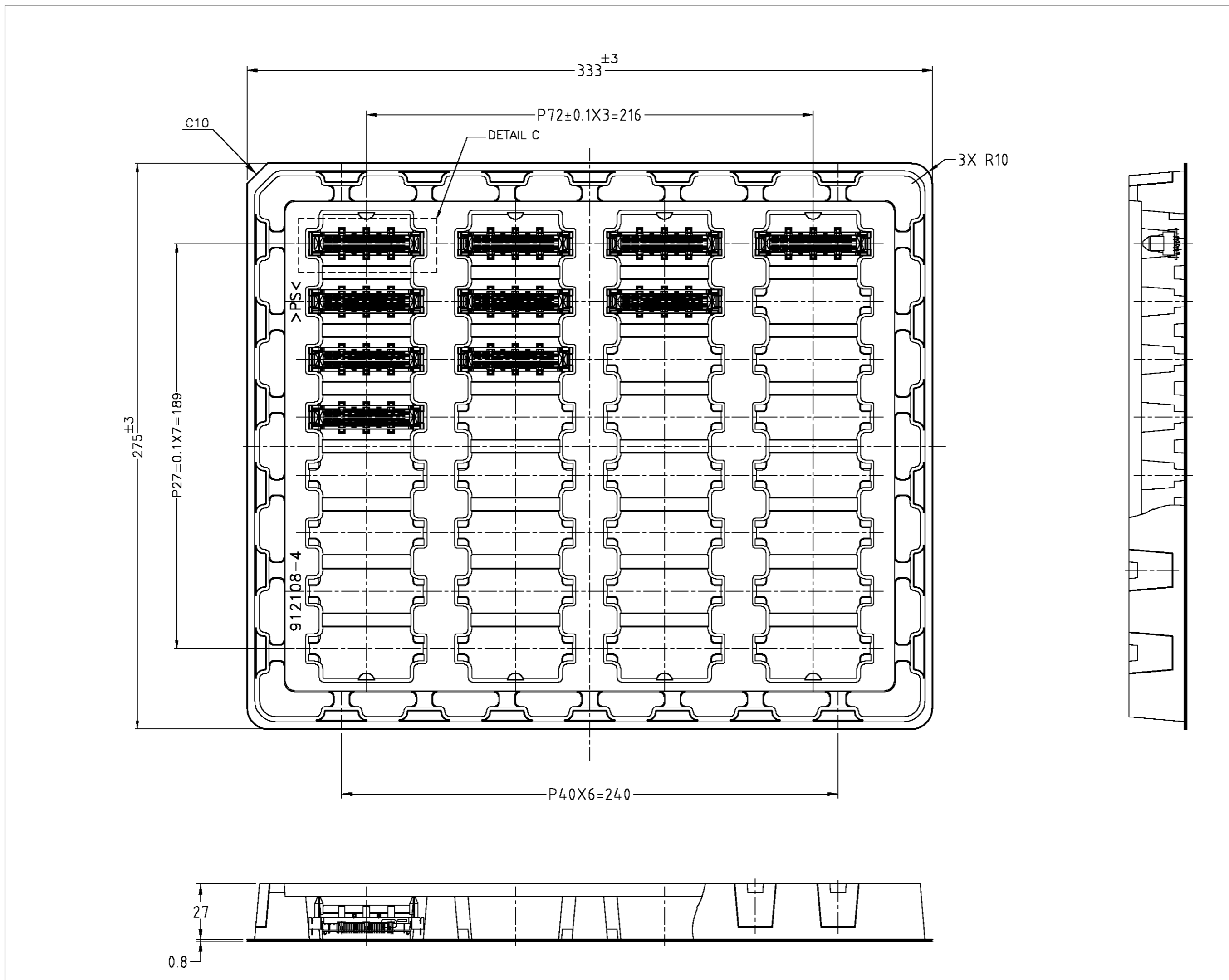
-1 ; AS SHOWN

THIS DRAWING IS A CONTROLLED DOCUMENT.		DWN M.KATO 11NOV04	 Tyco Electronics AMP K.K. Kawasaki, Japan
DIMENSIONS: MM		CHK S.KAJINUMA 11NOV04	
TOLERANCES UNLESS OTHERWISE SPECIFIED:		APVD Y.YAMAMOTO 11NOV04	NAME
Ø PLG ± 10 ≥ ± 0.2		PRODUCT SPEC	0.8 DOCKING CONNECTOR
1 PLG ± 30 ≥ > 10 ± 0.25		APPLICATION SPEC	REC (152P + POWER 4P)
2 PLG ± 100 ≥ > 30 ± 0.3		SIZE	A2
3 PLG ± 100 ≥ > 30 ± 0.3		CAGE CODE	00779
4 PLG ± 100 ≥ > 30 ± 0.3		DRAWING NO	C=6565136
ANGLES ± ± 3°		RESTRICTED TO	-
FINISH		WEIGHT	7.4g
		CUSTOMER DRAWING	
		SCALE	2:1
		SHEET	1 OF 3
		REV	0



THIS DRAWING IS UNPUBLISHED. RELEASED FOR PUBLICATION 2001.  
 © COPYRIGHT 2001 BY TYCO ELECTRONICS CORPORATION. ALL RIGHTS RESERVED.

LOC	DIST	REVISIONS					
		P	LTR	DATE	DWN	APVD	
J		-	-	SEE SHEET 1	-	-	-



鉛フリー  
LEAD FREE

- 1:AS SHOWN

40/TRAY	SEMI HARD TRAY	6565136-1
QUANTITY PER PACKAGE	PACKING	PART NO.

THIS DRAWING IS A CONTROLLED DOCUMENT.		DWN	<b>tyco</b> Tyco Electronics AMP K.K.	
DIMENSIONS: MM		CHK	Kawasaki, Japan	
TOLERANCES UNLESS OTHERWISE SPECIFIED		APVD	NAME	
0 PLC ±	1 PLC ±	PRODUCT SPEC	0.8 DOCKING CONNECTOR	
2 PLC ±	3 PLC ±	APPLICATION SPEC	REC (152P + POWER 4P)	
4 PLC ±	ANGLES ± ±3'	WEIGHT	SIZE	RESTRICTED TO
FINISH			A2	-
MATERIAL		CAGE CODE	DRAWING NO	
		00779	C=6565136	
CUSTOMER DRAWING		SCALE	SHEET	REV
		NTS	3 OF 3	0

单击下面可查看定价，库存，交付和生命周期等信息

[>>TE Connectivity\(泰科\)](#)