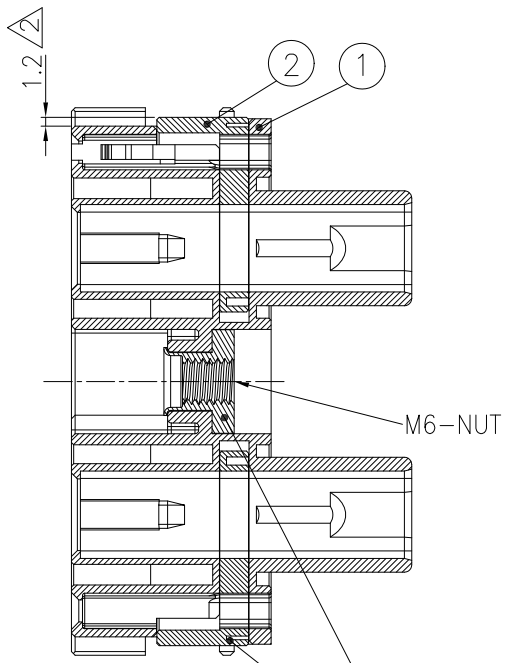
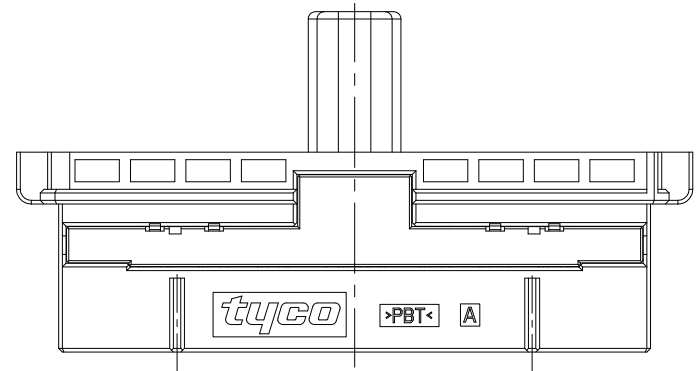


THIS DRAWING IS UNPUBLISHED. RELEASED FOR PUBLICATION

© COPYRIGHT BY TYCO ELECTRONICS CORPORATION. ALL RIGHTS RESERVED.

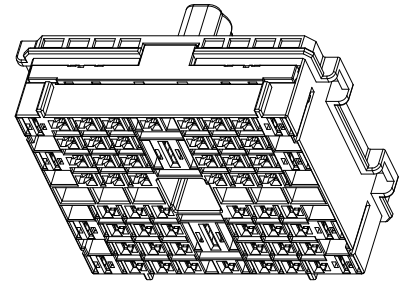
LOC	DIST	REVISIONS					
DS		P	LTR	DESCRIPTION	DATE	DWN	APVD
		A		RELEASED	10/NOV/05	YH	JK
		A1		REVISED (ECR-06-030161)	28/MAY/07	DH	JK
		A2		REVISED (ECR-08-016203)	03/JUL/08	DH	JK



A-A SCALE (2:1)

60P HYBRIDE PLUG KEY CODE.

P/N	"A"	COLOR	MATERIAL
0-1743126-2	56	BLACK	PBT
1-1743126-3	48	GRAY	PBT

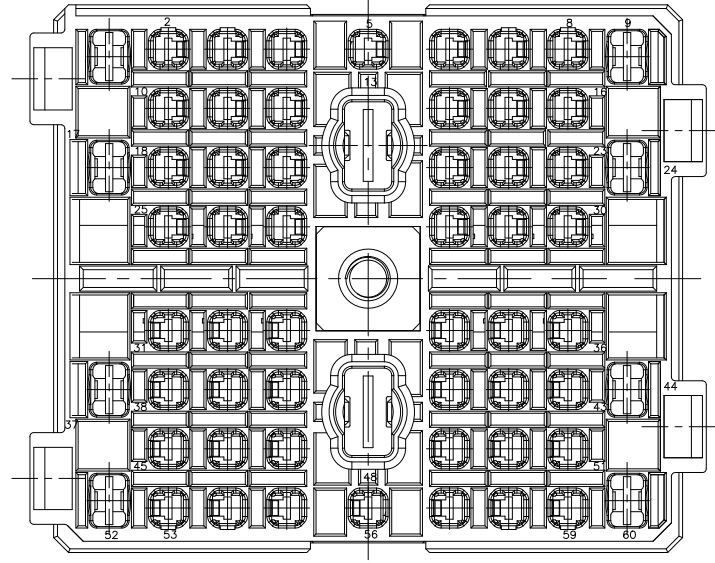
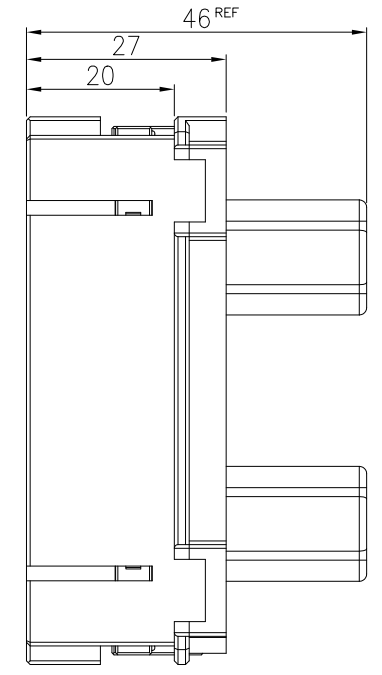
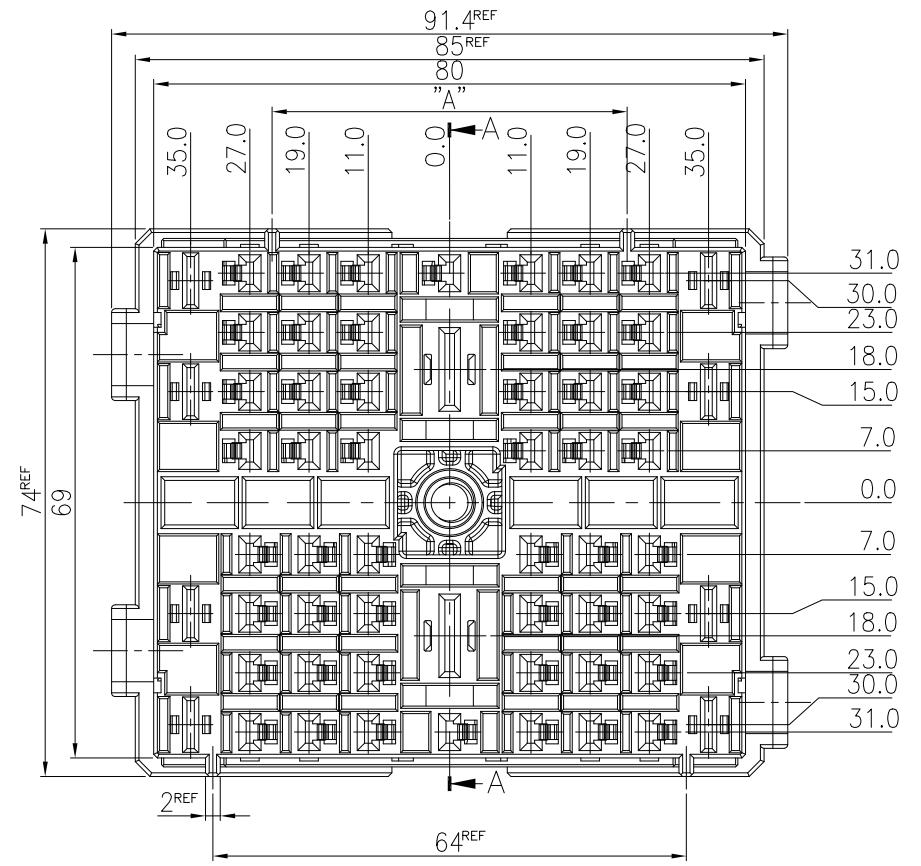


SCALE 1:2

NOTE.
 1. GENERAL TOLERANCE IS ±0.3, ±3'
 2. CONDITION OF DELIVERY : DBL PLATE PRE-ASSEMBLED POSITION
 3. APPLIED RECEPTACLE CONTACT P/N:

	PART No.	WIRE SIZE(mm ²)
MCP-E	0-1743162-1	0.3-0.85mm ²
	0-1743163-1	1.25-2.0mm ²
MCP 6.3	0-1241400-1	0.2-0.5mm ²
	0-1241402-1	0.5-1.0mm ²
	0-1241404-1	1.0-2.5mm ²
	0-1241406-1	2.5-4.0mm ²
MCP 9.5	0-1241408-1	4.0-6.0mm ²
	1-967588-1	6.0-10.0mm ²
	1-967589-1	10.0-16.0mm ²

4. APPLICABLE COVER PART No.: 1743129, 1743587
 5. MATING BOLT Torque spec 0.8-1.0 Kgf.m



QTY	NAME	COLOR	MATERIAL	Q'TY
1	PLUG	GRAY	PBT	1
2	DBL	NATURAL	PBT	2
3	M6 NUT	-	SUM24L	1

THIS DRAWING IS A CONTROLLED DOCUMENT FOR TYCO ELECTRONICS CORPORATION. IT IS SUBJECT TO CHANGE AND THE CONTROLLING ENGINEERING ORGANIZATION SHOULD BE CONTACTED FOR THE LATEST REVISION.

DWN: DH PARK
 CHK: YJ YOUN
 APVD: JK SONG
 PRODUCT SPEC: -
 APPLICATION SPEC: -
 WEIGHT: -

TOLERANCES UNLESS OTHERWISE SPECIFIED: SEE NOTE

3rd ANGLE PROJECTION

MATERIAL: SEE TABLE

FINISH:

Tyco Electronics AMP KOREA. Kyungsan, Korea

NAME: HYBRID 60P PLUG ASS'Y (NUT TYPE)

SIZE: A3 CAGE CODE: 00779 DRAWING NO: 1743126 RESTRICTED TO: -

CUSTOMER DRAWING SCALE 1/1 SHEET 1 OF 1 REV A2

单击下面可查看定价，库存，交付和生命周期等信息

[>>TE Connectivity\(泰科\)](#)