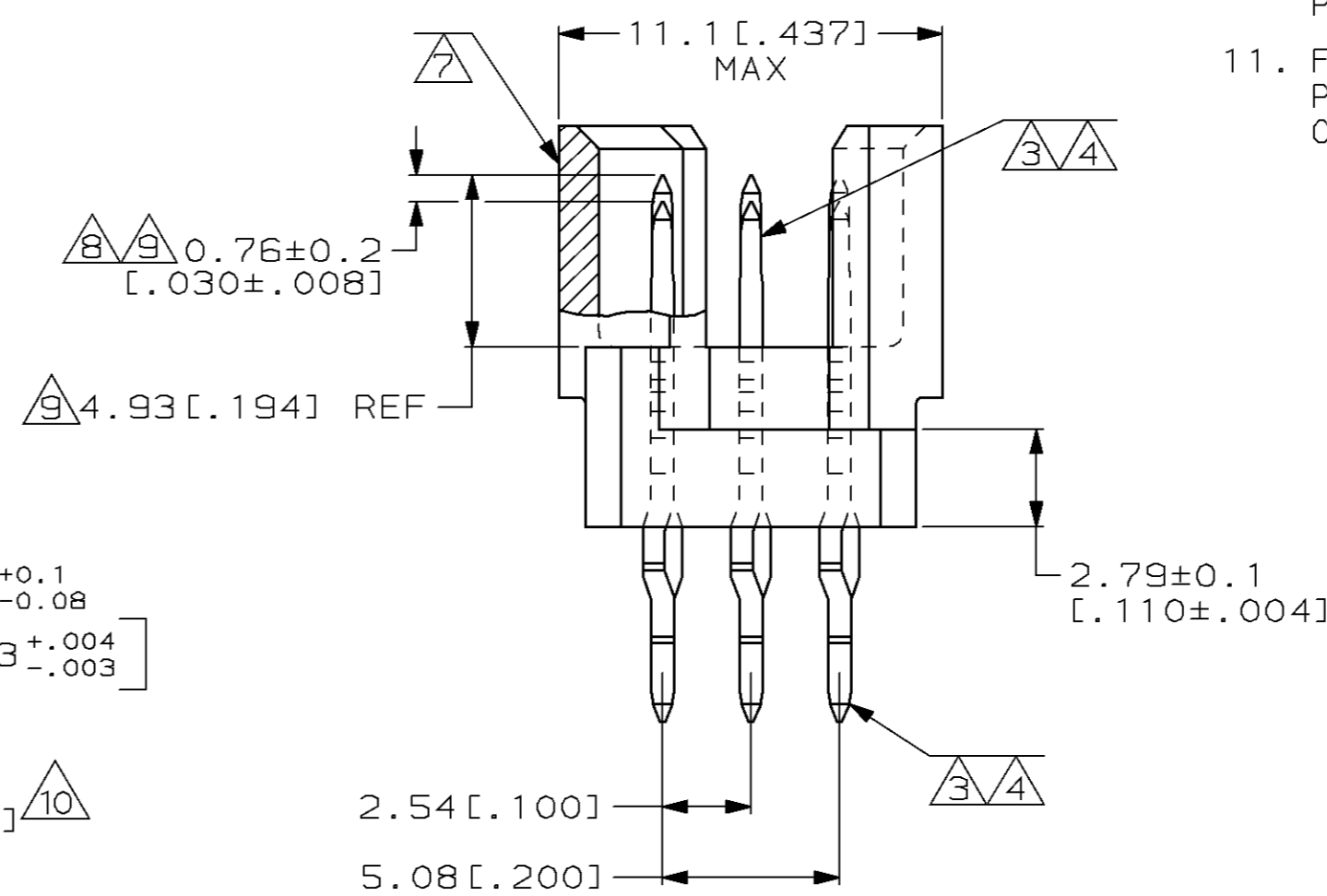
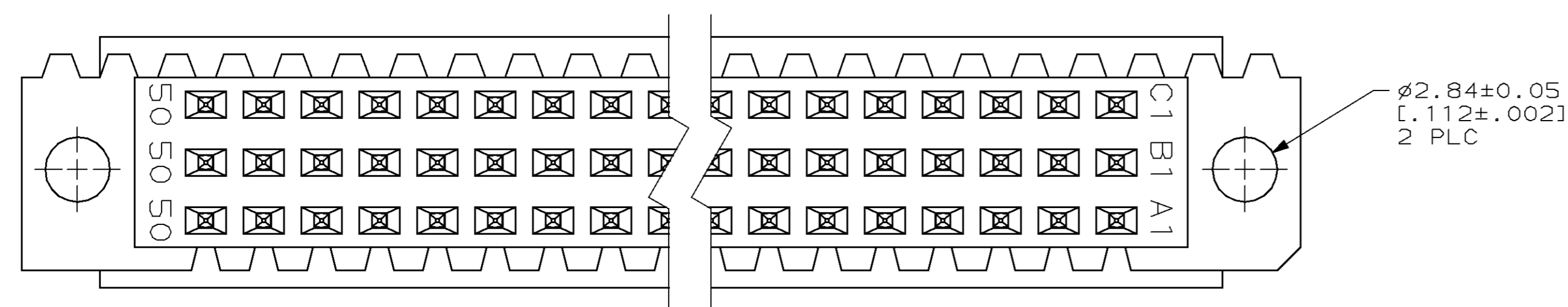
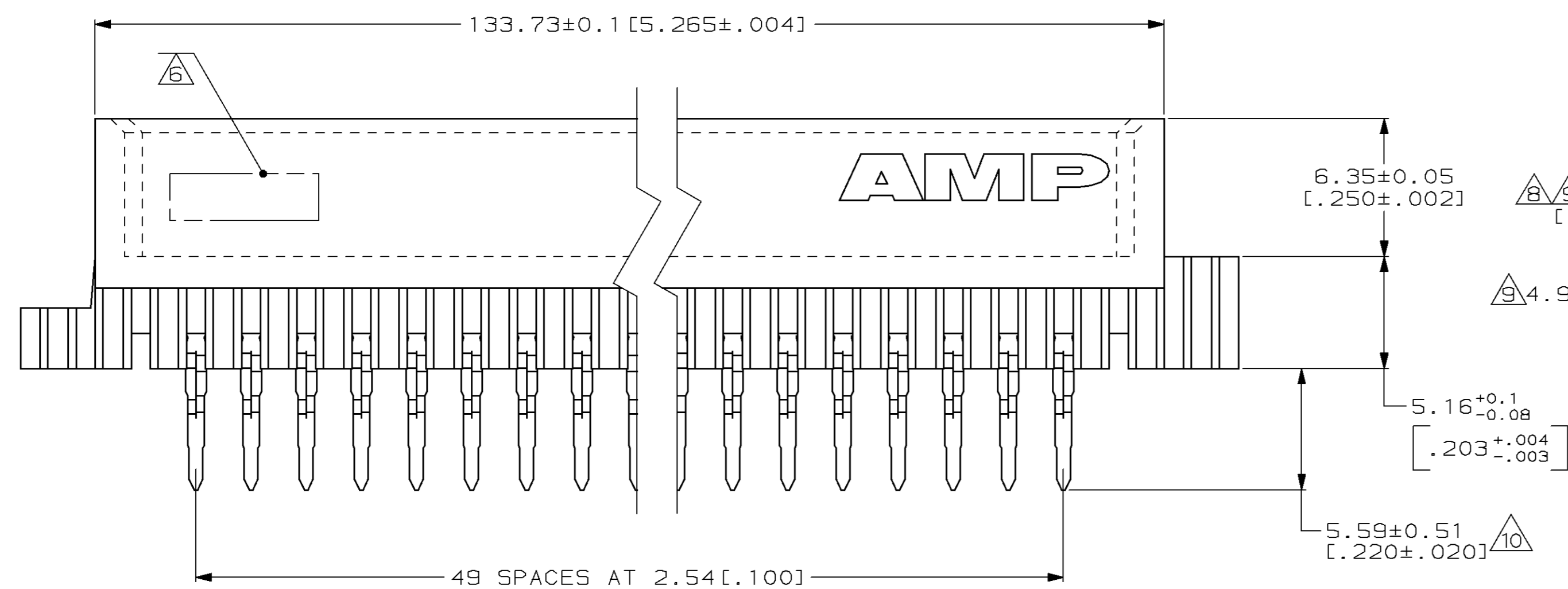
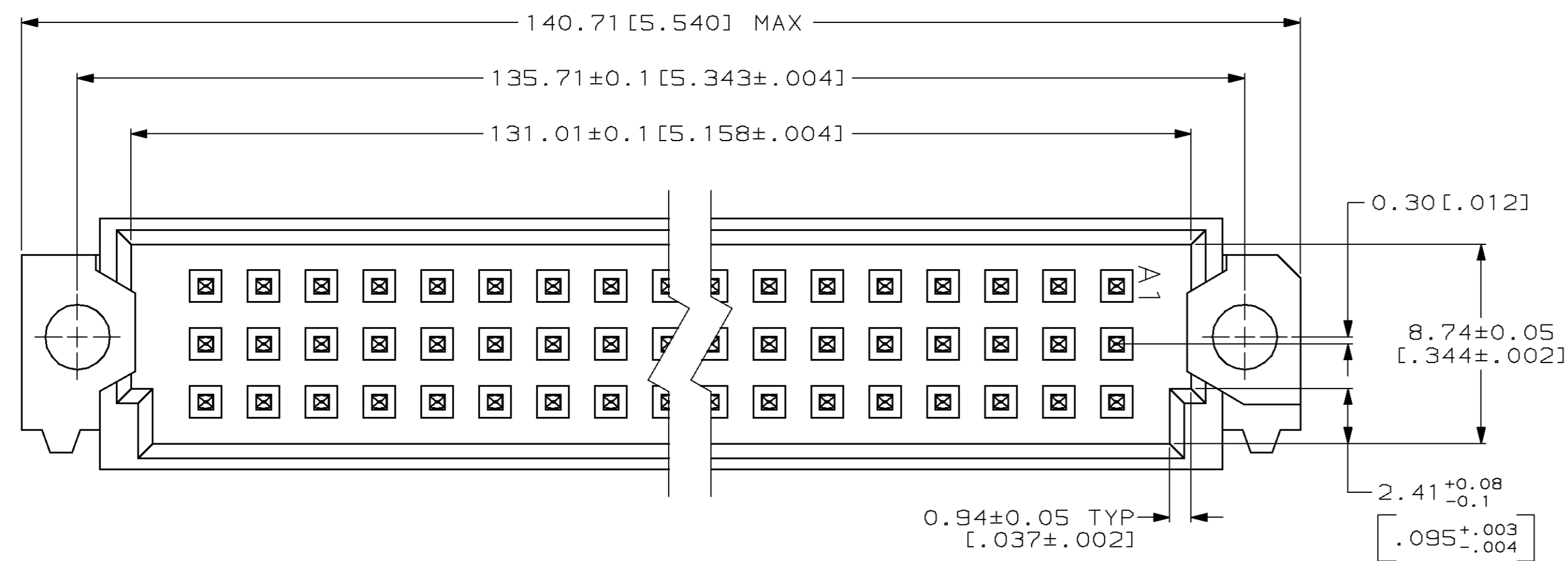
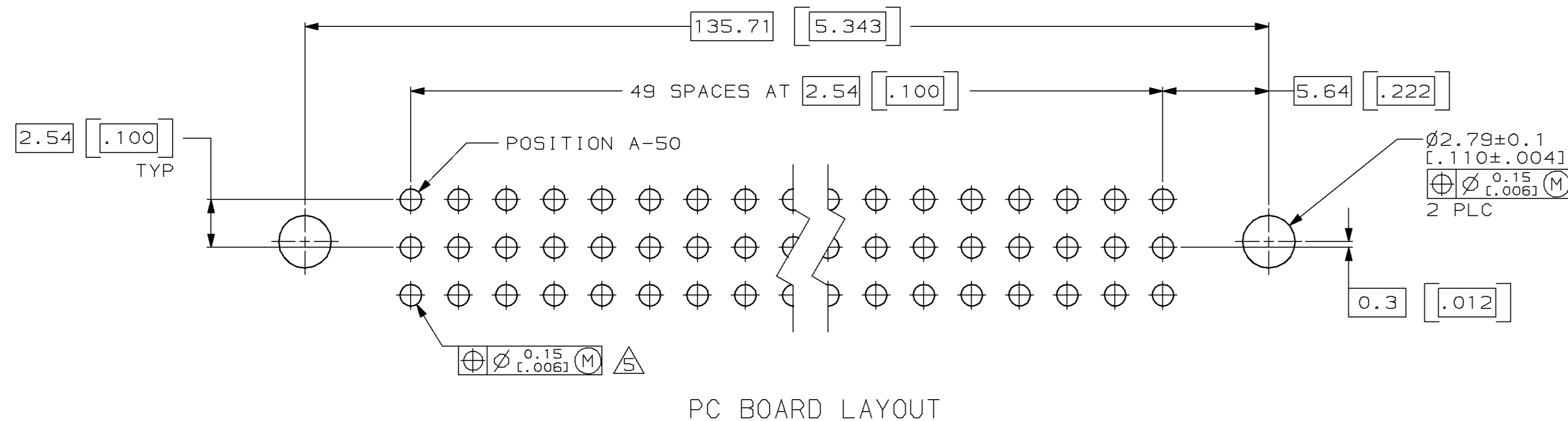


LOC		DIST		P		F		ZONE		LTR		REVISIONS		
AD	25											DESCRIPTION	DATE	APPD
												H EC 0504-0087-96	11/18/96	CR



- 1 HOUSING MATERIAL: GLASS-FILLED POLYESTER. COLOR: GRAY.
- 2 POST MATERIAL: PHOSPHOR BRONZE.
- 3 POST FINISH: DIN 41612 CLASS 3 IN CONTACT AREA. TIN-LEAD PLATE ON POSTS.
- 4 POST FINISH: DIN 41612 CLASS 2 IN CONTACT AREA. TIN-LEAD PLATE ON POSTS.
- 5 PC BOARD HOLES REQUIRED FOR ACTION PIN CONTACTS ARE 1.151 [.0453] DRILL DIAMETER PLATED THROUGH WITH 0.02-.08 [.001-.003] COPPER AND 0.008 [.0003] MINIMUM TIN-LEAD PLATING. FINISHED HOLE AFTER PLATING, 0.94-1.09 [.037-.043] DIAMETER.
- 6 [PART NUMBER, DATE CODE] MARKED THIS APPROXIMATE AREA.
- 7 MARKING ON THIS SIDE.
- 8 FOR "MFBL" APPLICATIONS, A 2.36 [.093] MINIMUM THICK PC BOARD IS REQUIRED. PROGRAMMABLE SEATING TOOL 768216-4 MUST BE USED.
- 9 TO BE 4.16 [.164] REF FOR LAST MAKE PINS AFTER SEATING. POST LENGTH DIFFERENCE BETWEEN SHORT AND LONG PINS TO BE 0.76 ± 0.2 [.030 ± .008] AFTER SEATING.
- 10 THIS DIMENSION WILL BE 6.35 ± 0.51 [.250 ± .020] AFTER SEATING FOR PINS WITH 4.17 [.164] REF MATING POST.
- 11. FOR 1.57 [.062] THICK PC BOARD APPLICATIONS, USE SEATING TOOL 768211-4. PROGRAMMABLE SEATING TOOL 768216-4 WITH PUSH PINS FOR MAKE FIRST CONTACTS ONLY, CAN ALSO BE USED.



SUPERSEDED BY 536096-5		3	1-50	X	X	X	150	536096-9
		4	1-50	X	X	X	150	536096-5
NOTES	POSITIONS LOADED			C	B	A	NO. OF LOADED POSITION	ASSY PART NUMBER

DO NOT SCALE PRINT. UNLESS SPECIFIED DIMENSIONS IN mm [INCHES] TOLERANCES ON:		DR L. BRINER 1/14/92	PART NO	
1 PLC DEC ± -	2 PLC DEC ± 0.13 [.005]	CHK D.C. RUBENDALL 1/15/92	AMP AMP Incorporated Harrisburg, PA 17105-3608	
ANGLES ± -		APPD D.C. RUBENDALL 1/15/92	NAME	
		APPD K.R. PARMER 1/15/92	PIN ASSEMBLY, EUROCARD, TYPE "R", MFBL OR FOR 1.57 [.062] PC BOARD	
HOUSING: 1	POST: 2	PRODUCT SPEC -	SIZE D	CAGE CODE 00779
FINISH	APPLICATION SPEC -	DRAWING NO 536096	SCALE 5:1	SHEET 1 OF 1
POST: 3 4	WEIGHT -			

单击下面可查看定价，库存，交付和生命周期等信息

[>>TE Connectivity\(泰科\)](#)