

4

3

2

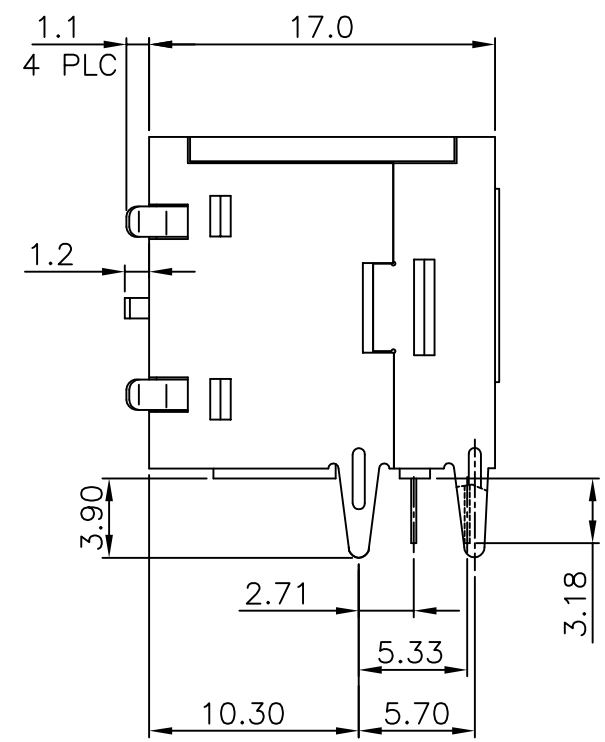
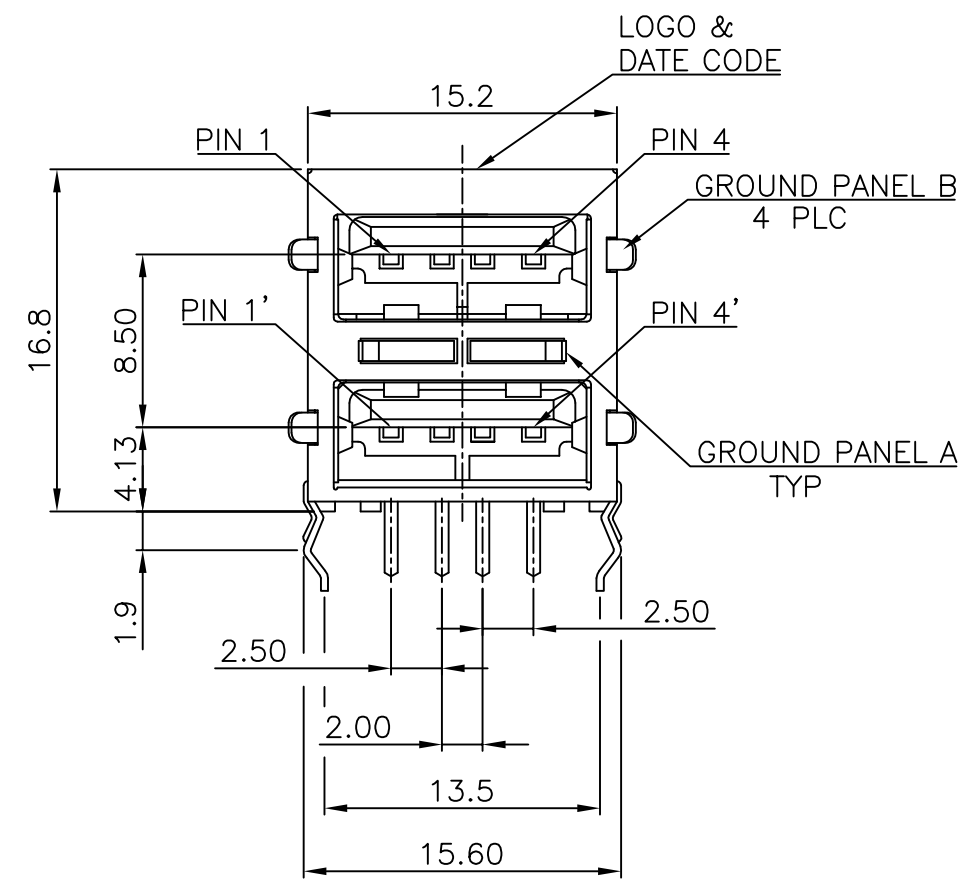
1

THIS DRAWING IS UNPUBLISHED. RELEASED FOR PUBLICATION
 © COPYRIGHT 2011 BY TYCO ELECTRONICS CORPORATION. ALL RIGHTS RESERVED.

LOC	DIST	REVISIONS					
DW		P	LTR	DESCRIPTION	DATE	DWN	APVD
		B4		REVISED (ECR-15-013569)	23DEC2015	B.L	H.W

D

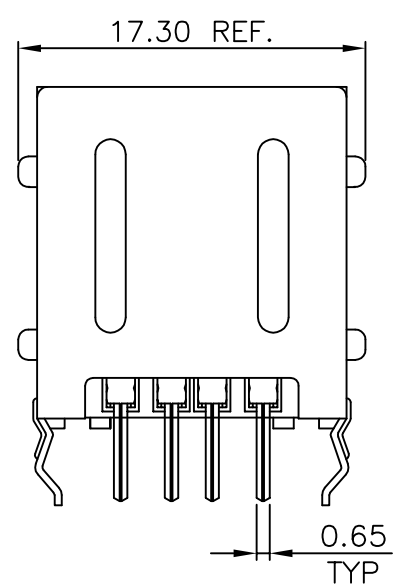
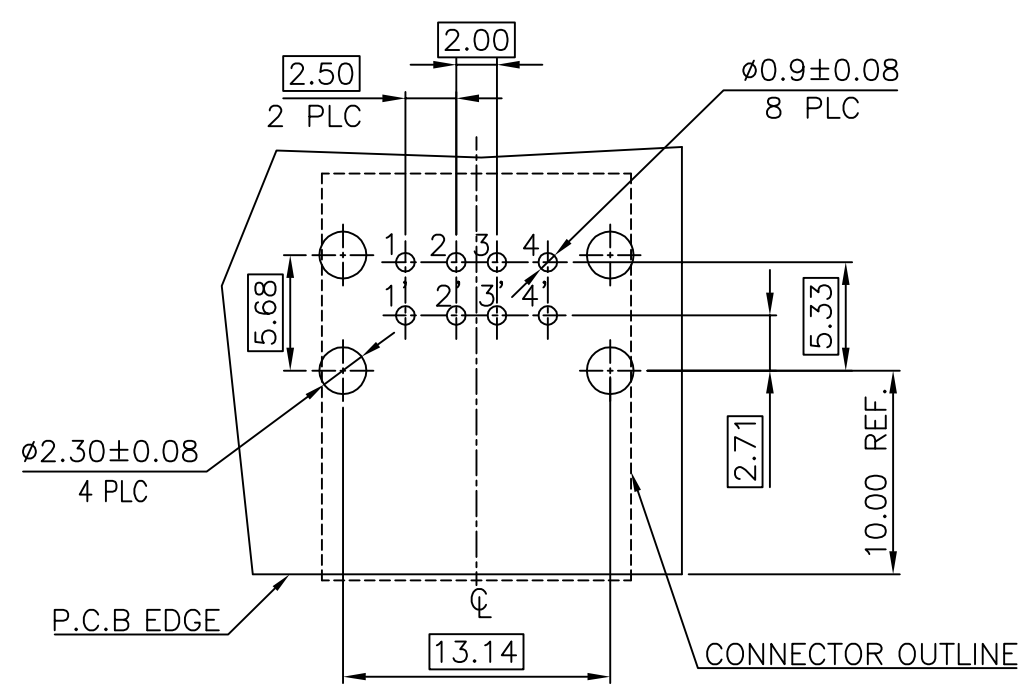
D



NOTES:
 1. MATERIAL:
 HOUSING: THERMOPLASTIC (SEE TABLE), WITH 30% GF, UL 94V-0, BLACK COLOR.
 CONTACT: PHOSPHOR BRONZE, (t=0.25mm).
 SHIELD: COLD ROLL STEEL, (t=0.35mm)
 GROUNDING STRIP: STAINLESS, (t=0.20 & 0.25mm)
 2. FINISH :
 CONTACT: 0.762µm [30µ"] MIN. GOLD PLATING ON CONTACT AREA,
 3.81µm [150µ"] MIN. BRIGHT TIN PLATING ON SOLDER TAILS,
 1.27µm [50µ"] MIN. NICKEL UNDERPLATING OVERALL.
 SHIELD: 3.048µm [120µ"] MIN. NICKEL PLATED OVERALL.
 ⚠ WAVE SOLDER CAPABLE TO 245°C PER TE SPEC109-201, CONDITION A.
 ⚠ REFLOW SOLDER CAPABLE TO 260°C PER TE SPEC 109-201, CONDITION B.

C

C



REAR VIEW

OBSOLETE	⚠ PA9T	W/	W/O	2-1734084-2
OBSOLETE	⚠ PBT	W/	W/O	2-1734084-1
OBSOLETE	⚠ PA9T	W/O	W/	1-1734084-2
OBSOLETE	⚠ PBT	W/O	W/	1-1734084-1
OBSOLETE	⚠ PA9T	W/O	W/O	0-1734084-2
OBSOLETE	⚠ PBT	W/O	W/O	0-1734084-1

B

B

HSG.MATERIAL	GROUND PANEL B	GROUND PANEL A	PART NUMBER
--------------	----------------	----------------	-------------

A

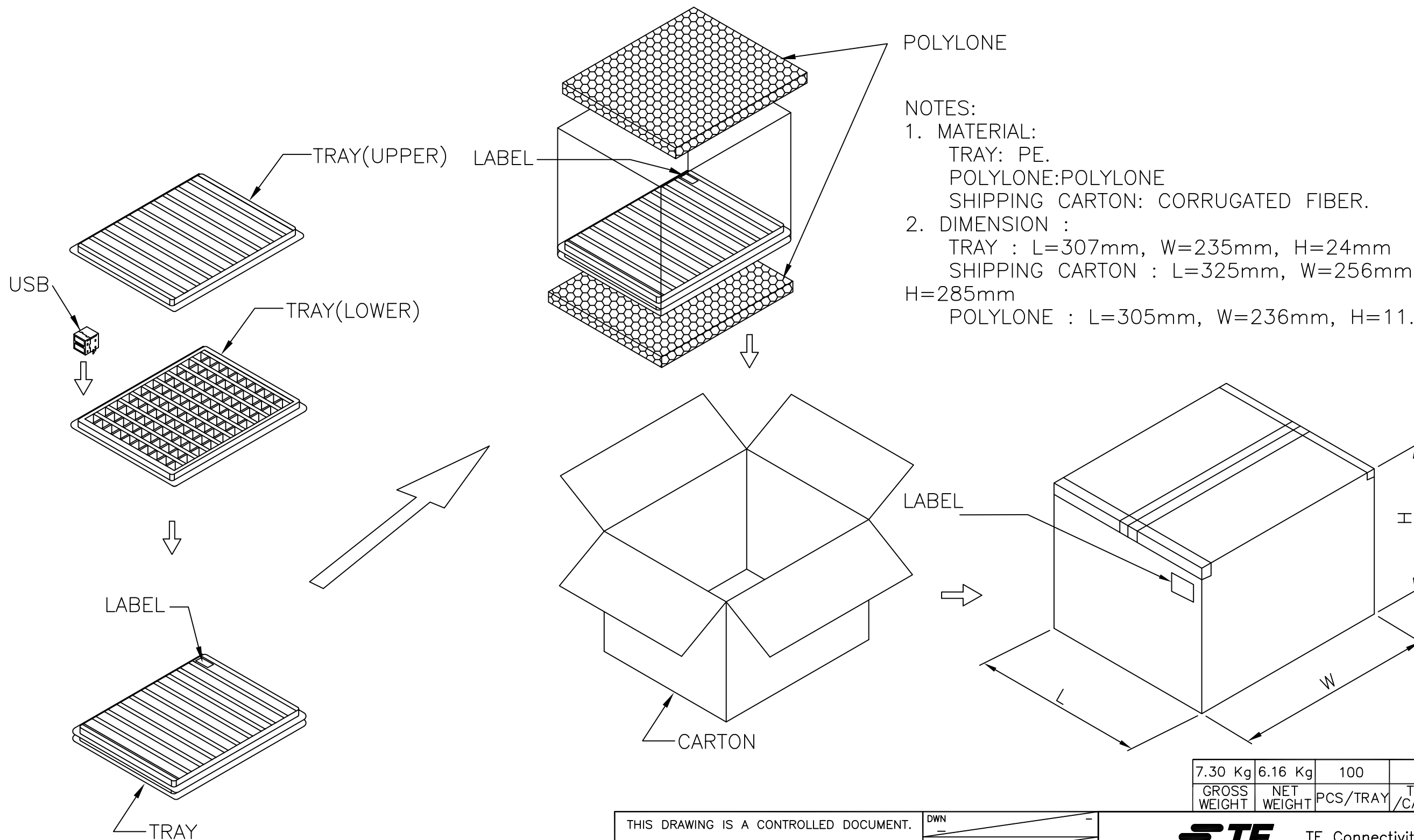
A

RECOMMENDED P.C.B. LAYOUT (THICKNESS=1.6mm)
 (TOP VIEW) (TOLERANCE:±0.05mm)

THIS DRAWING IS A CONTROLLED DOCUMENT.		DWN O. HU 07JUL2005	TE Connectivity	
		CHK S. JOU 07JUL2005		
		APVD W.J. KE 07JUL2005	NAME	
DIMENSIONS: mm		PRODUCT SPEC	RCPT, STACKED, USB, R/A, A TYPE	
TOLERANCES UNLESS OTHERWISE SPECIFIED: 0 PLC ± - 1 PLC ± 0.35 2 PLC ± 0.25 3 PLC ± 0.15 4 PLC ± - ANGLES ± 3°		APPLICATION SPEC	108-57549	
MATERIAL SEE NOTE		FINISH SEE NOTE	WEIGHT 6.16 GRAMS	RESTRICTED TO
		CUSTOMER DRAWING	SCALE -	SHEET 1 of 2
			DRAWING NO. A3 00779	REV B4
			CAGE CODE C=1734084	

THIS DRAWING IS UNPUBLISHED. RELEASED FOR PUBLICATION
 © COPYRIGHT 2011 BY TYCO ELECTRONICS CORPORATION. ALL RIGHTS RESERVED.

LOC	DIST	REVISIONS				
P	LTR	DESCRIPTION	DATE	DWN	APVD	
		SEE SHEET 1.				



NOTES:

- MATERIAL:
 TRAY: PE.
 POLYLONE: POLYLONE
 SHIPPING CARTON: CORRUGATED FIBER.
- DIMENSION :
 TRAY : L=307mm, W=235mm, H=24mm
 SHIPPING CARTON : L=325mm, W=256mm, H=285mm
 POLYLONE : L=305mm, W=236mm, H=11.5mm

7.30 Kg	6.16 Kg	100	10	1000
GROSS WEIGHT	NET WEIGHT	PCS/TRAY	TRAY/CARTON	QUANTITY

THIS DRAWING IS A CONTROLLED DOCUMENT.		DWN		STE TE Connectivity	
DIMENSIONS: mm		CHK			
TOLERANCES UNLESS OTHERWISE SPECIFIED:		APVD		NAME	
0 PLC ± -		PRODUCT SPEC		RCPT, STACKED, USB, R/A, A TYPE	
1 PLC ± -		APPLICATION SPEC		SIZE CAGE CODE DRAWING NO RESTRICTED TO	
2 PLC ± -		WEIGHT		A3 00779 C=1734084	
3 PLC ± -		CUSTOMER DRAWING		SCALE SHEET 2 of 2 REV B4	
4 PLC ± -					
ANGLES ± -					
MATERIAL FINISH					

单击下面可查看定价，库存，交付和生命周期等信息

[>>TE Connectivity\(泰科\)](#)