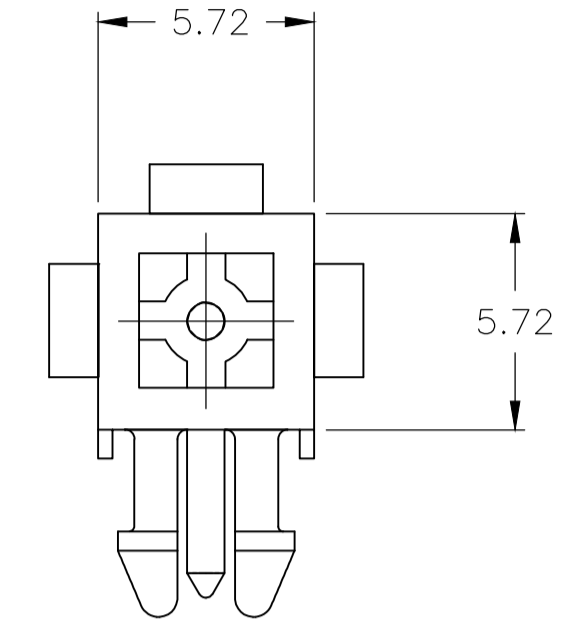
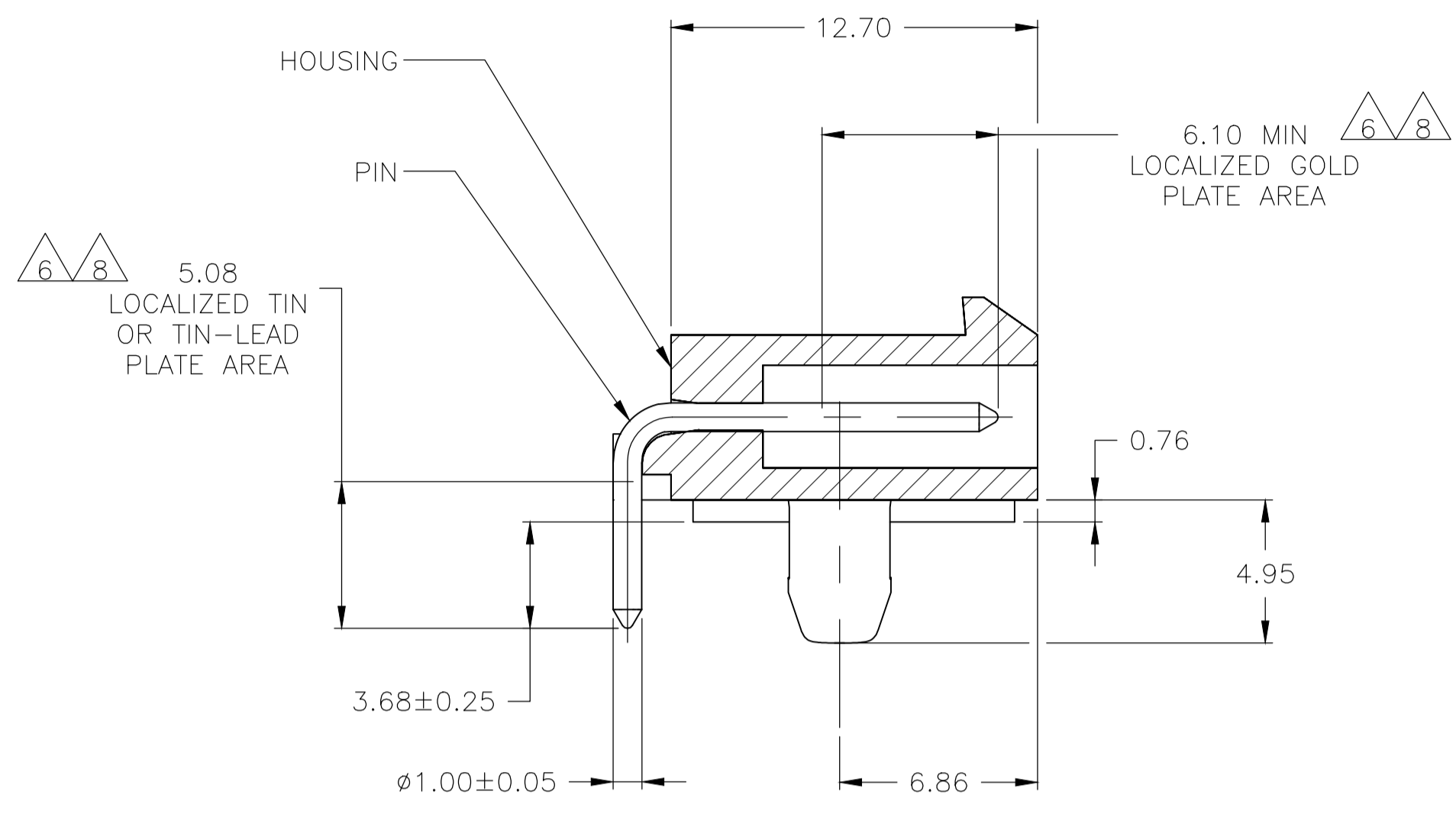
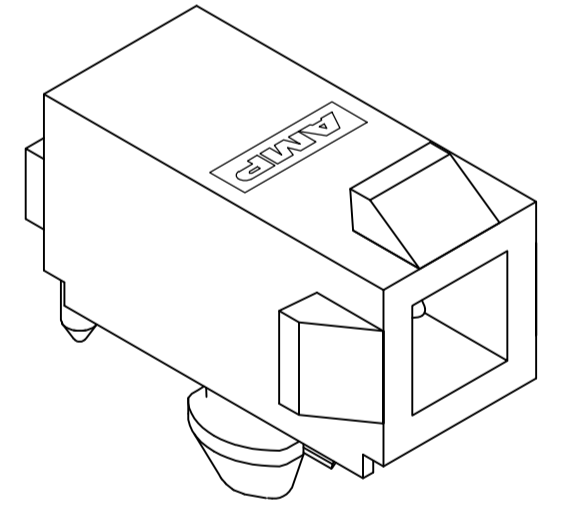


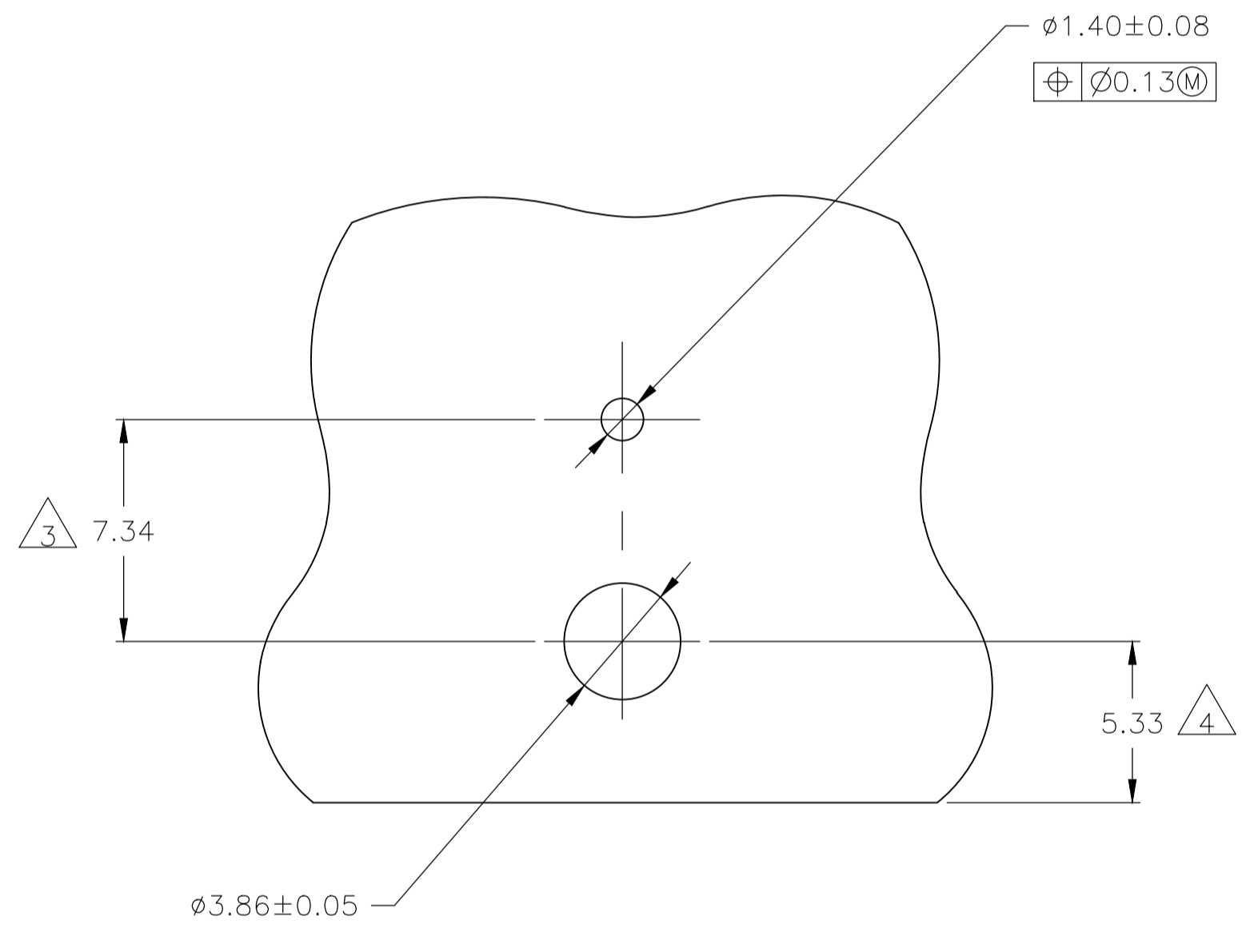
REVISIONS					
P	LTR	DESCRIPTION	DATE	DMN	APVD
C2		REVISED PER ECR-20-004142	29JUN2020	BDA	SW



- PINS TO COMPLY WITH AMP SOLDERABILITY SPEC 109-11-3.
- MATES WITH PLUG P/N 172164-1.
- COORDINATE DIMENSION APPLIES FROM CENTER OF ACTUAL FEATURE.
- RECOMMENDED FOR EDGE MOUNTING.
- 0.00381 MIN MATTE TIN LEAD OVER 0.00127 MIN NICKEL ENTIRE LENGTH OF PIN.
- 0.00076 MIN GOLD PLATE IN THE LOCALIZED PLATE AREA, 0.00381 MIN MATTE TIN LEAD IN THE LOCALIZED PLATE AREA, BOTH OVER 0.00127 MIN NICKEL.
- 0.00381 MIN MATTE TIN PLATE OVER 0.00127 MIN NICKEL.
- 0.00076 MIN GOLD PLATE IN THE LOCALIZED GOLD PLATE AREA, 0.00381 MIN MATTE TIN IN THE LOCALIZED TIN PLATE AREA, BOTH OVER 0.00127 MIN NICKEL.
- SUPERSEDED BY 1-794374-1



3-DIMENSIONAL MODEL NTS



RECOMMENDED MOUNTING HOLE PATTERN FOR 1.57 THICK P.C. BOARD

MM	IN	MM	IN	MM	IN	MM	IN
0.13	.005	3.68	.145	6.10	.240	-	-
0.08	.003	1.57	.062	5.72	.225	-	-
0.05	.002	1.40	.055	5.33	.210	-	-
0.00381	.000150	1.00	.039	5.08	.200	12.70	.500
0.00127	.000050	0.76	.030	4.95	.195	7.34	.289
0.00076	.000030	0.25	.010	3.86	.152	6.86	.270

CONVERSION TABLE

	MATERIAL	FINISH	MATERIAL	COLOR	PART NO
	BRASS	△8	NYLON, UL94V-0	WHITE	1-794374-1
OBSOLETE	BRASS	△7	NYLON, UL94V-0	WHITE	1-794374-0
	BRASS	△6	NYLON, UL94V-0	WHITE	794374-2
OBSOLETE	BRASS	△5	NYLON, UL94V-0	WHITE	794374-1

PIN		HOUSING	
THIS DRAWING IS A CONTROLLED DOCUMENT.		DIN K WHITAKER 17APR97 CHK R SWING 17APR97 APVD R ORSTAD 17APR97 NAME:	
DIMENSIONS: mm 0. PLC ± - 1. PLC ± - 2. PLC ± 0.13 3. PLC ± - 4. PLC ± - ANGLES ± 0°30'		APPLICATION SPEC PRODUCT SPEC NAME:	
MATERIAL SEE TABLE		WEIGHT 0.000000 SIZE A1 CUSTOMER DRAWING	
FINISH SEE TABLE		SCALE 5:1 SHEET 1 OF 1 REV C2	

单击下面可查看定价，库存，交付和生命周期等信息

[>>TE Connectivity\(泰科\)](#)