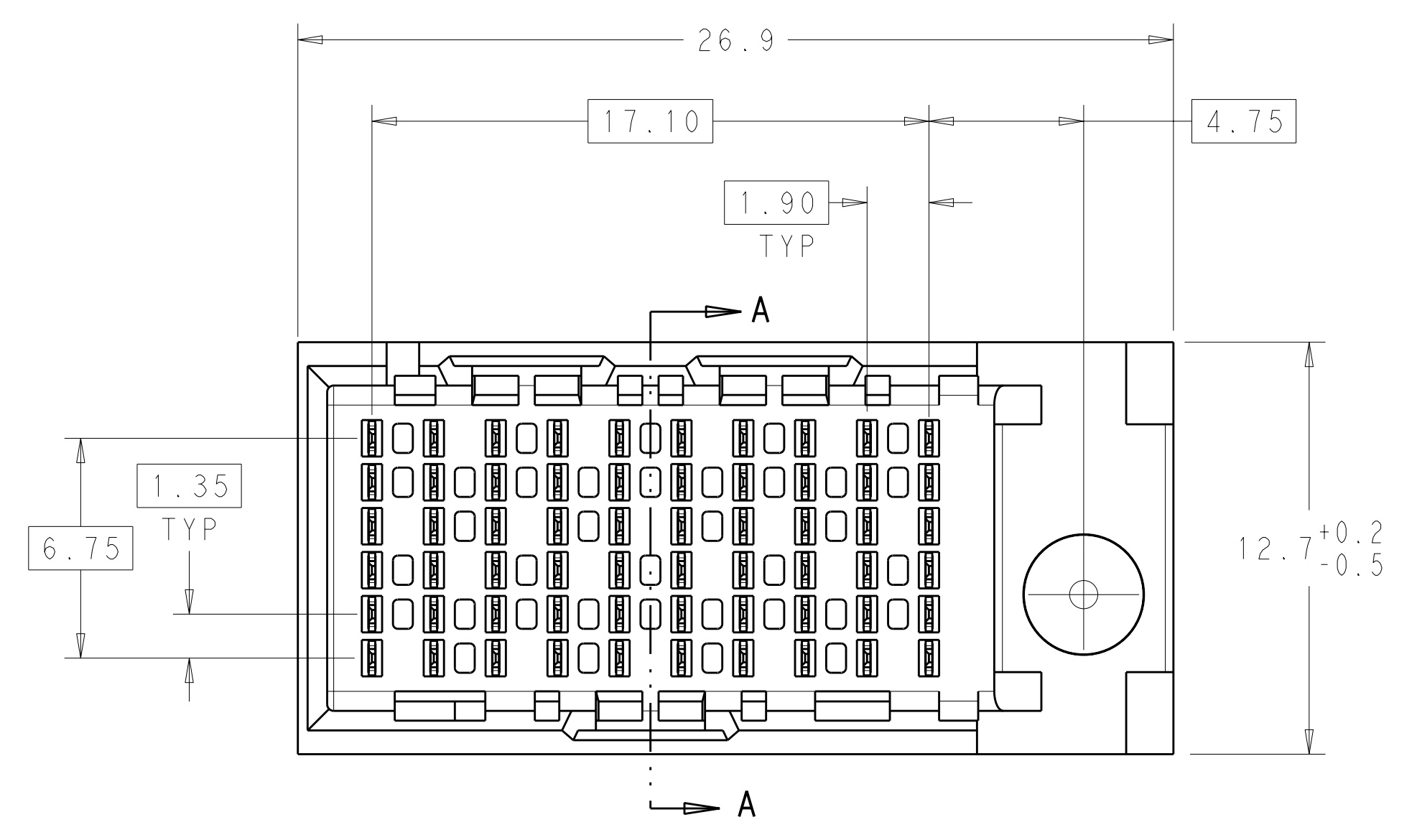
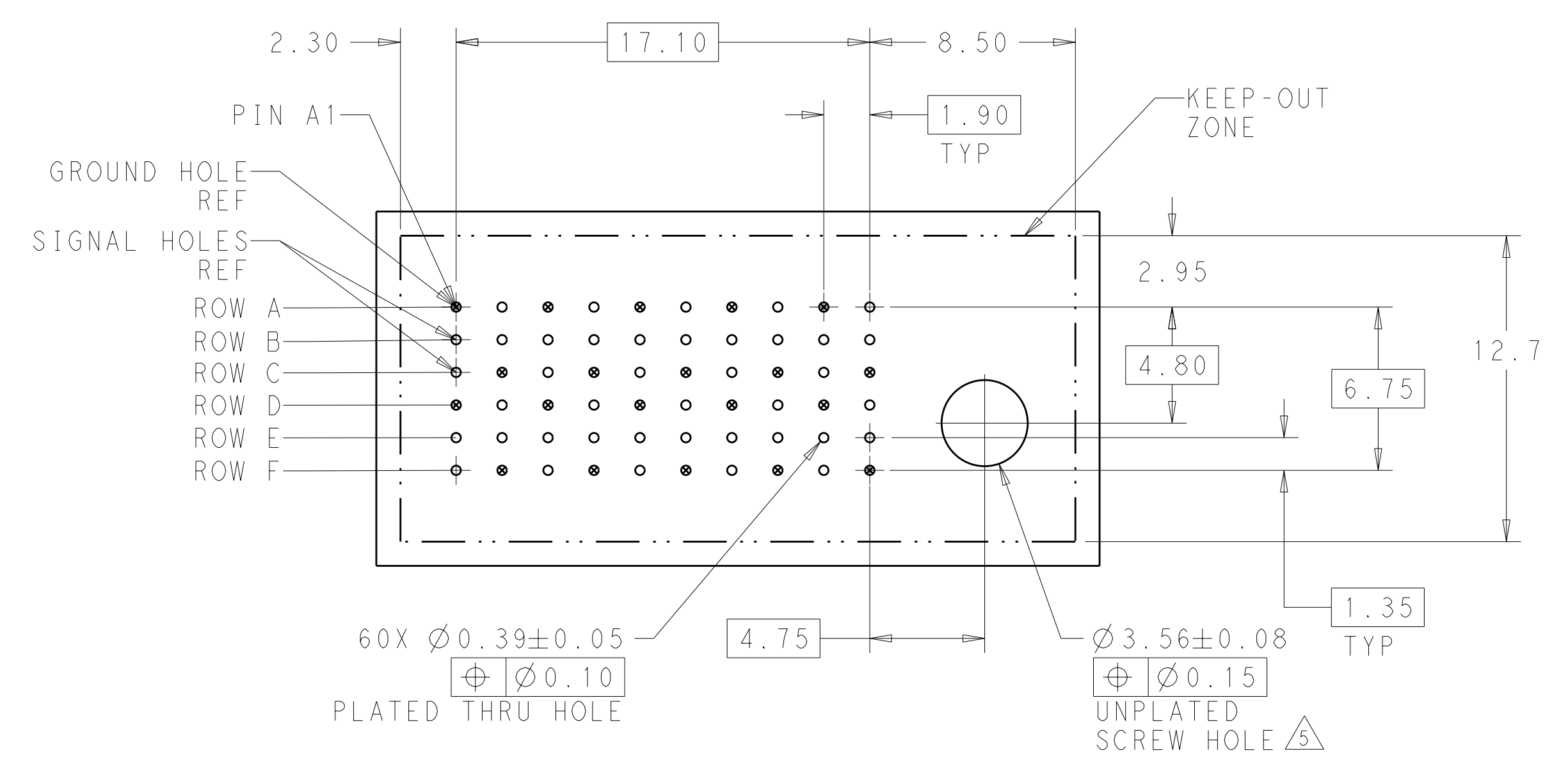
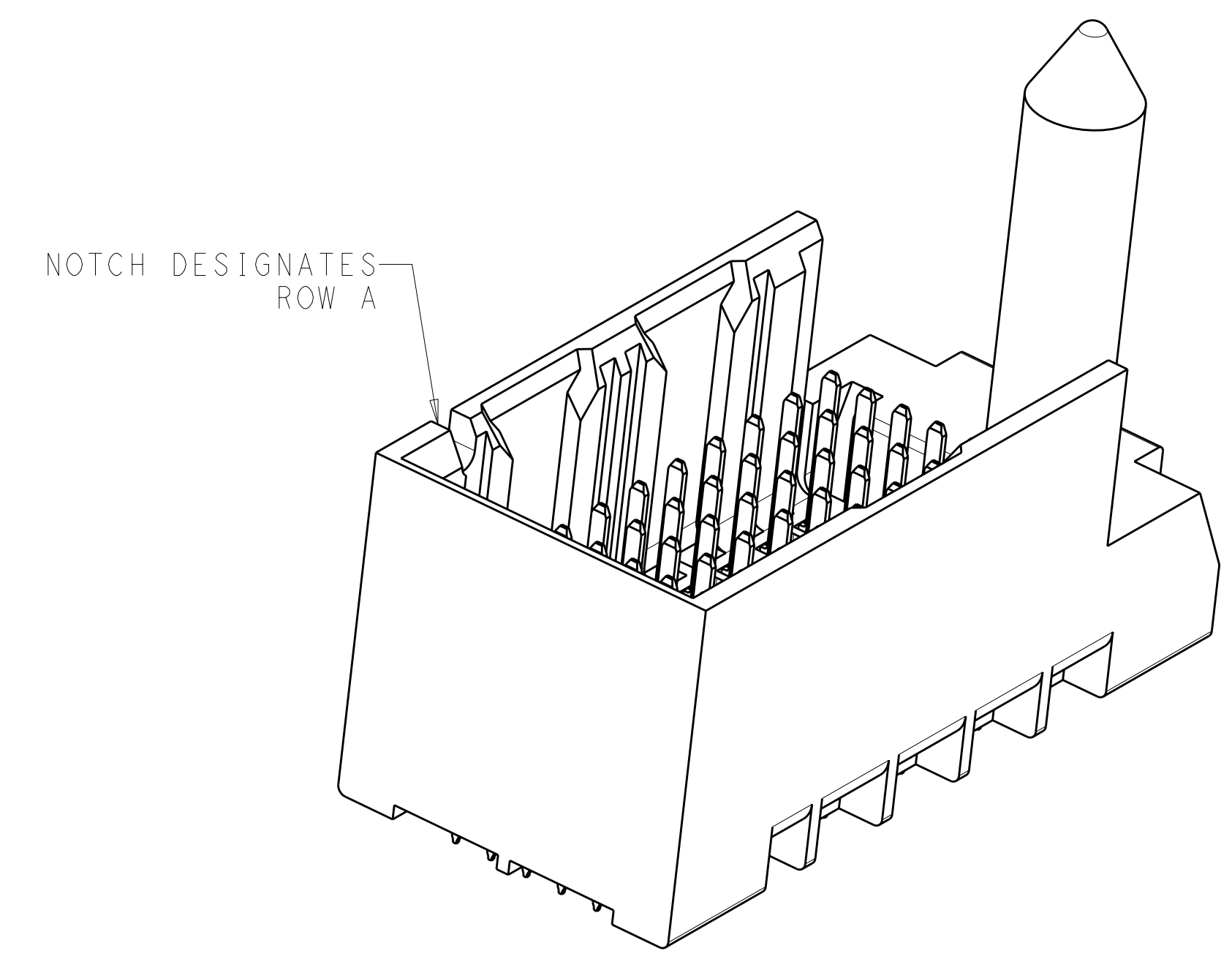


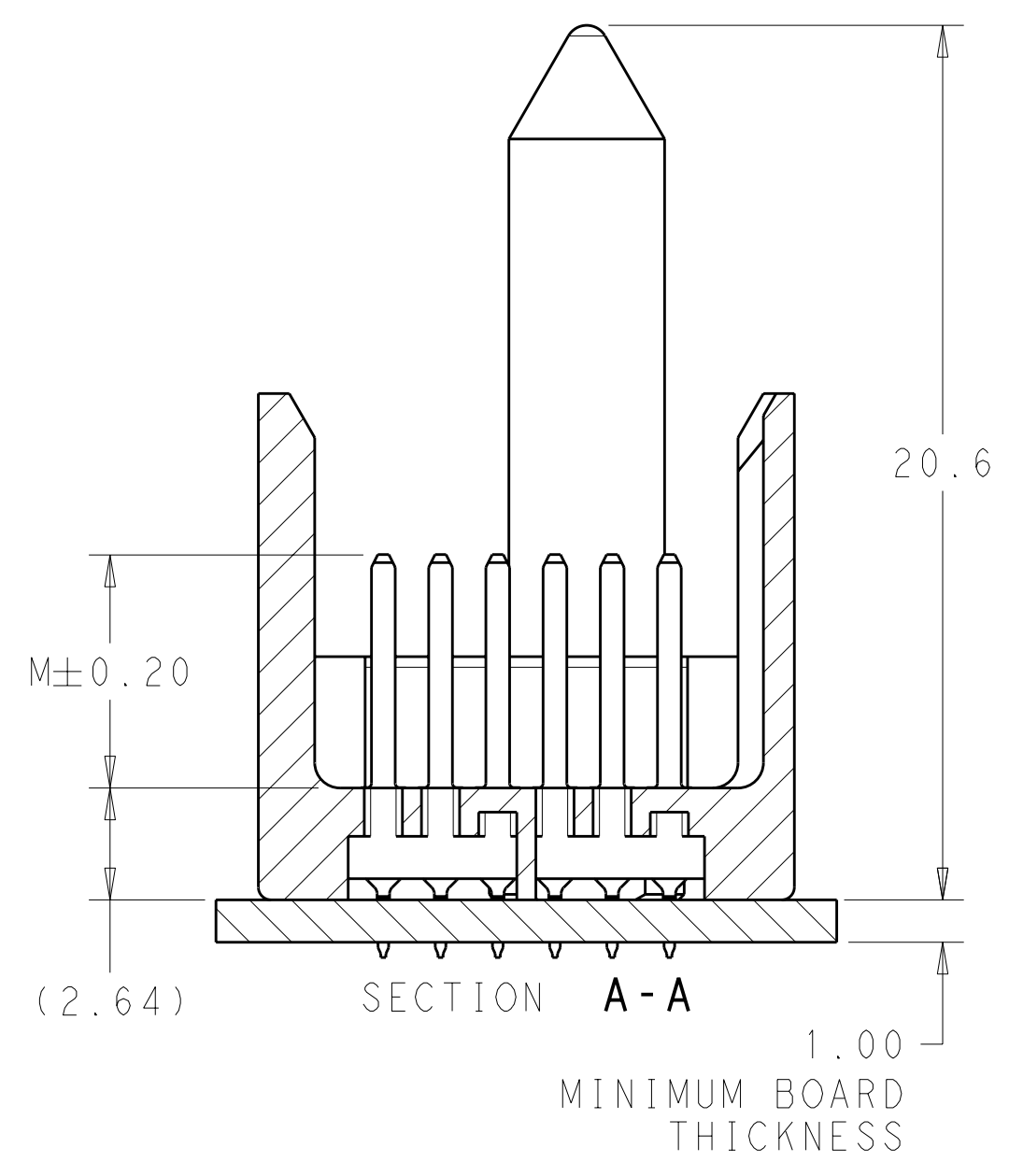
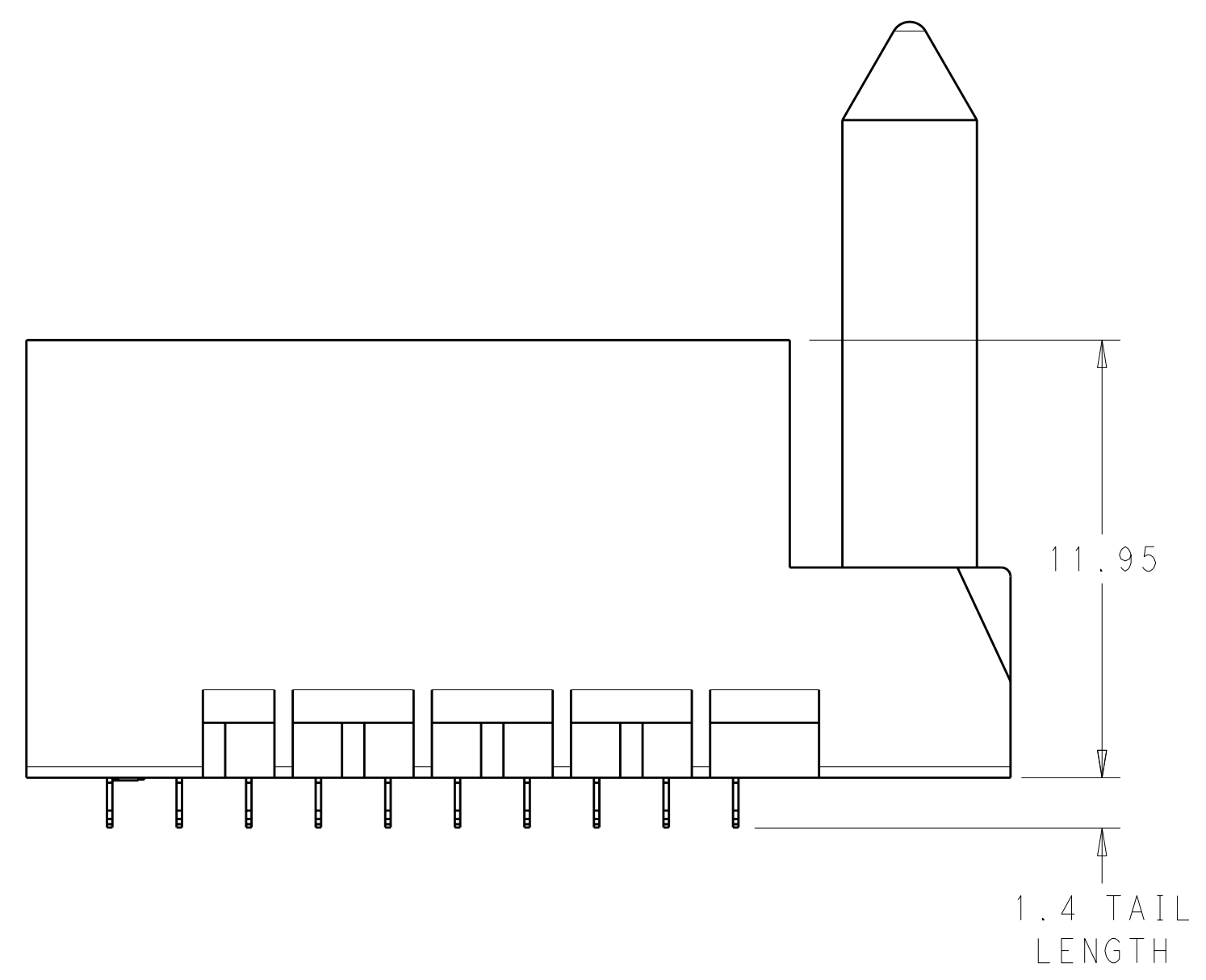
LOC		DIST		REVISIONS			
AD	00	REV	DATE	BY	CHK	APP	DATE
		B	04JAN12	REVISD PER ECO-11-025276			



- 1 MATERIAL:
HOUSING: LCP, GLASS FILLED, UL94V-0.
TERMINALS: HIGH PERFORMANCE COPPER ALLOY.
- 2 FINISH:
30µ" MIN GOLD IN CONTACT AREA. SELECTIVE TIN
ON PCB TAILS, NICKEL OVERALL.
- 3 FINISH:
30µ" MIN GOLD IN CONTACT AREA. SELECTIVE TIN-LEAD
ON PCB TAILS, NICKEL OVERALL.
- 4. SCREWS PACKAGED IN END OF PACKAGING TUBE.
- 5 FOR GROUNDED GUIDE PIN USE Ø3.56±0.08 PTH,
Ø3.66 DRILL, AND Ø6.5 PAD.



RIGHT GUIDED
BACKPLANE HOLE PATTERN
(CONNECTOR SIDE)




THIS DRAWING IS A CONTROLLED DOCUMENT.		DWN J. K. SHOBER 31JAN2011	TE Connectivity
DIMENSIONS: mm		CHK J. EABY 31JAN2011	
TOLERANCES UNLESS OTHERWISE SPECIFIED: 9 PLC ± 1 PLC ±0.25 5 PLC ±0.13 4 PLC ± ANGLES ±		APVD J. EABY 31JAN2011	NAME IMPACT, 2 PAIR, 10 COLUMN, HEADER RIGHT GUIDED, LEFT END WALL SIGNAL MODULE, 0.39 PTH
MATERIAL SEE TABLE		FINISH SEE TABLE	PRODUCT SPEC APPLICATION SPEC SIZE CAGE CODE DRAWING NO A100779C=2057425
CUSTOMER DRAWING		SCALE 6:1	RESTRICTED TO SHEET 1 OF 2 REV B

THIS DRAWING IS UNPUBLISHED. RELEASED FOR PUBLICATION 20
 © COPYRIGHT 20 . . . ALL RIGHTS RESERVED.

LOC	DIST	REVISIONS					
AD	00	P	LTG	DESCRIPTION	DATE	DWN	APVD
		-	-	SEE SHEET 1	-	-	-

FINISH	DIM M	PART NUMBER
\triangle_3	5.5	2057425-6
\triangle_3	4.9	2057425-5
\triangle_3	4.5	2057425-4
\triangle_2	5.5	2057425-3
\triangle_2	4.9	2057425-2
\triangle_2	4.5	2057425-1

REFER TO WWW.TE.COM
FOR PRODUCT AVAILABILITY

THIS DRAWING IS A CONTROLLED DOCUMENT.		DWN J. K. SHOBER 31 JAN 2011	 TE Connectivity
DIMENSIONS: mm		CHK J. EARY 31 JAN 2011	
TOLERANCES UNLESS OTHERWISE SPECIFIED: 9 PLC ± 7 PLC ±0.25 5 PLC ±0.13 4 PLC ± ANGLES ± FINISH SEE TABLE		APVD J. EARY 31 JAN 2011	NAME IMPACT, 2 PAIR, 10 COLUMN, HEADER RIGHT GUIDED, LEFT END WALL SIGNAL MODULE, 0.39 PTH
MATERIAL -	SEE TABLE	PRODUCT SPEC -	APPLICATION SPEC -
CUSTOMER DRAWING		WEIGHT -	RESTRICTED TO -
SCALE 5:1		SHEET 2 OF 2	REV B

单击下面可查看定价，库存，交付和生命周期等信息

[>>TE Connectivity\(泰科\)](#)