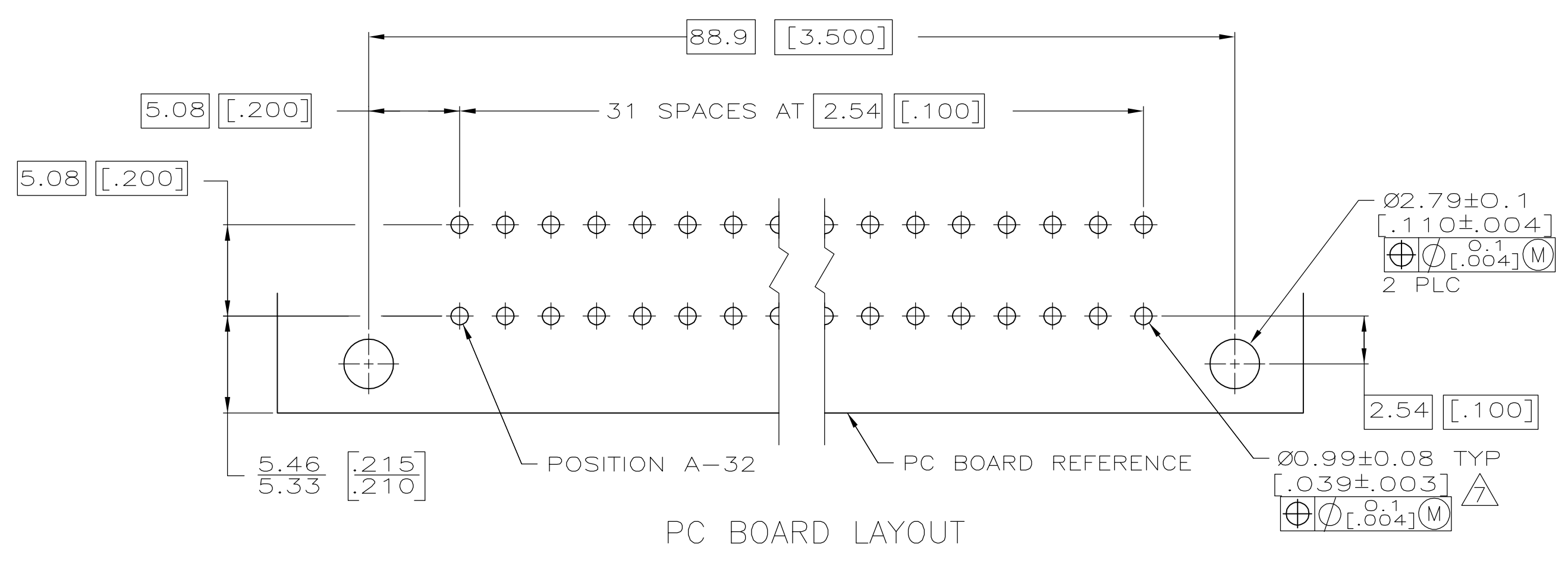
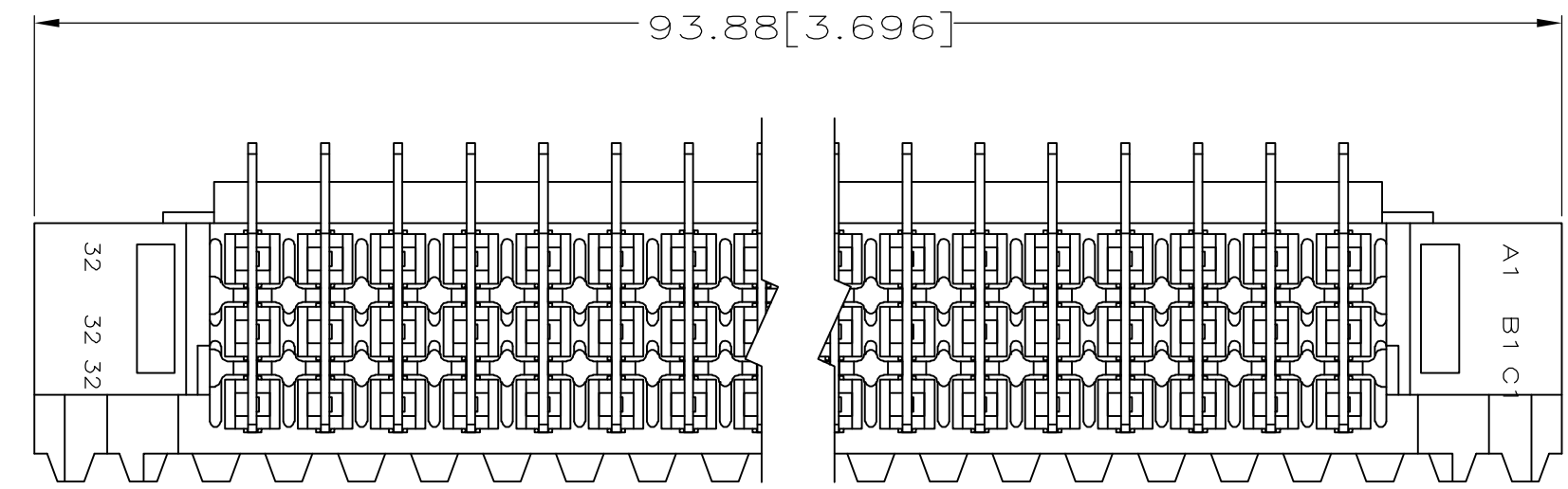
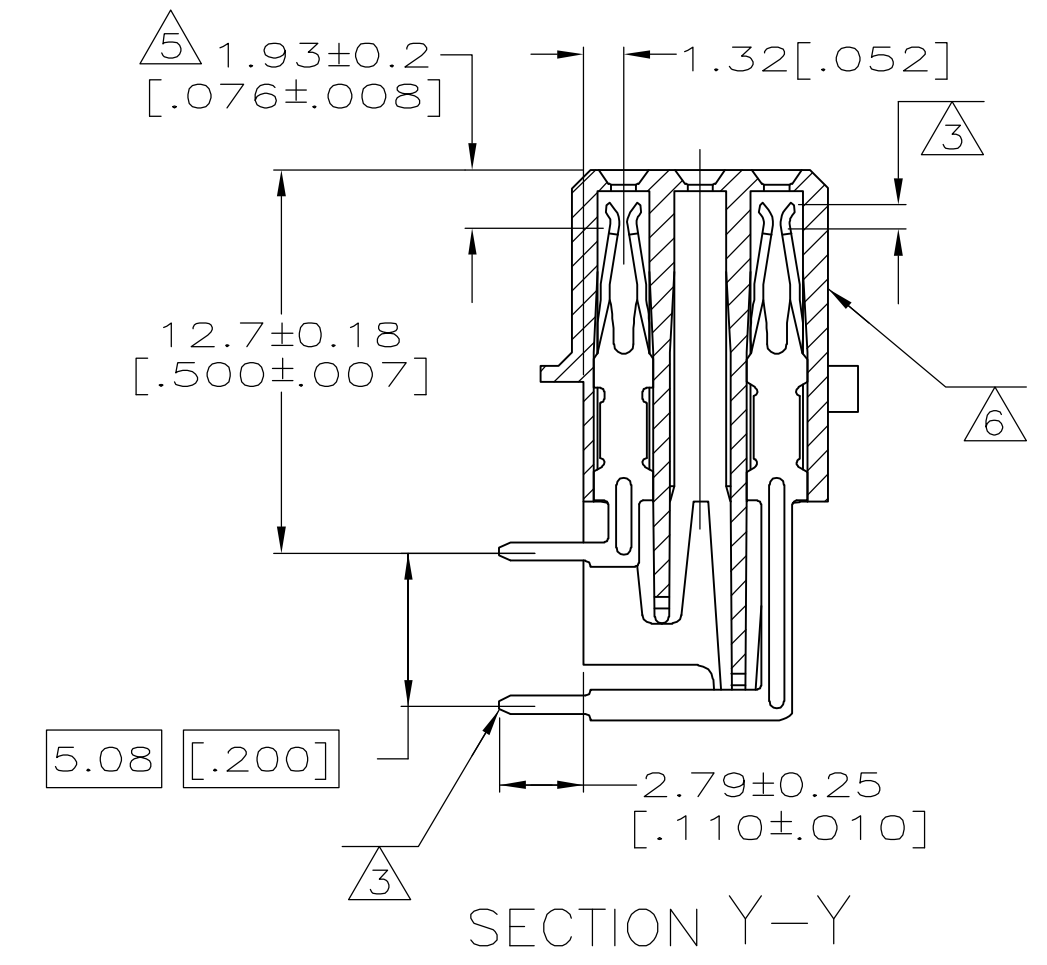
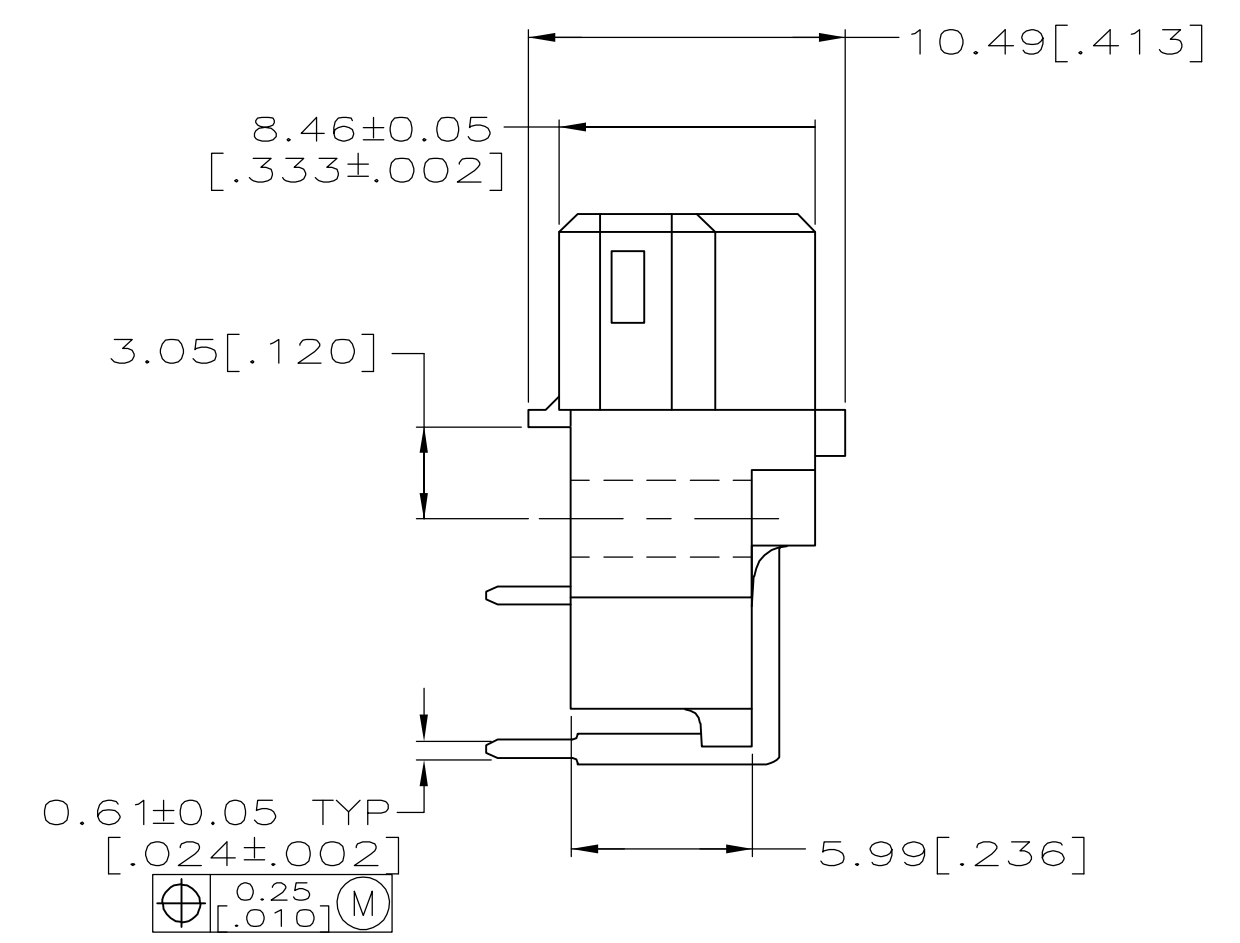
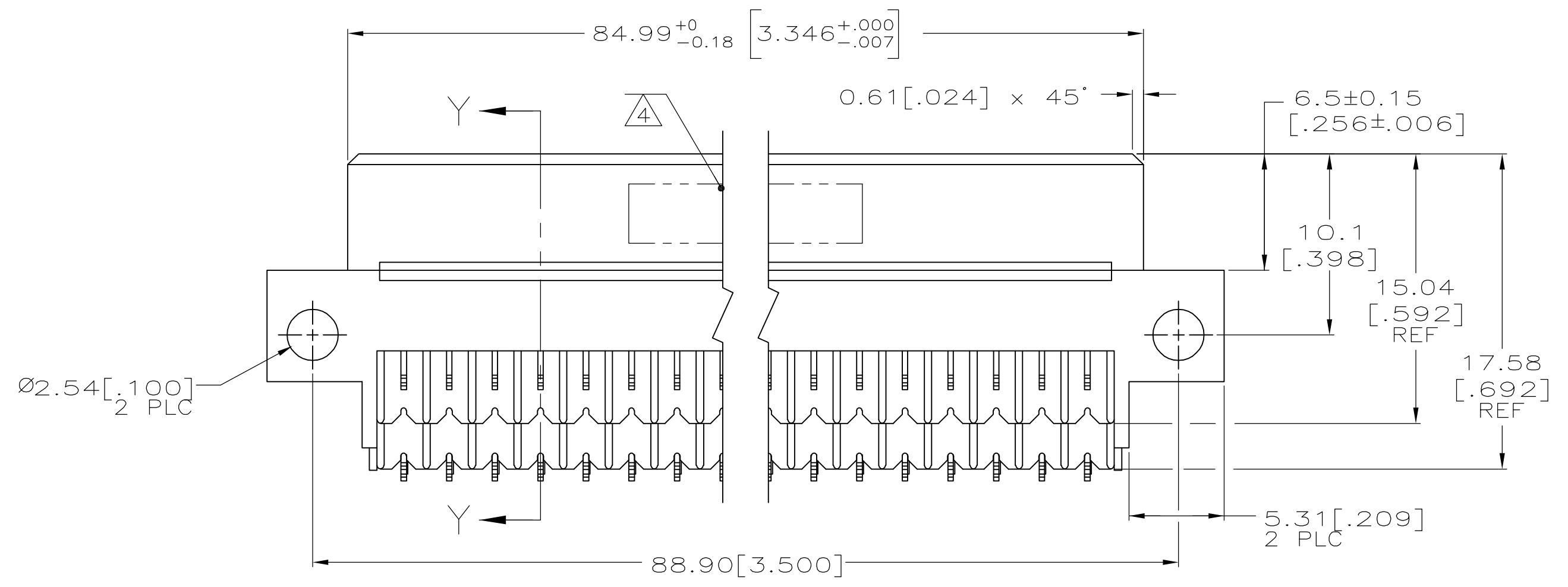


- 1 HOUSING MATERIAL: GLASS-FILLED POLYMER.
- 2 CONTACT MATERIAL: COPPER ALLOY.
- 3 CONTACT FINISH: DIN 41612 CLASS 2 IN CONTACT AREA. TIN PLATE ON POSTS.
- 4 PART NUMBER, DATE CODE IDENTIFICATION, CSA LOGO, THIS APPROXIMATE AREA.
- 5 CONTACT POINT.
- 6 MARKING ON THIS SIDE.
- 7 RECOMMENDED HOLE SIZE FOR MANUAL APPLICATION OF CONNECTOR ONTO PC BOARD.



1 THRU 32	X	-	X	64	5650870-5
1 THRU 32	X	-	X	64	5650870-4
NOTES	POSITIONS LOADED	ROWS LOADED	NO. OF LOADED POSITION	ASSY PART NUMBER	

THIS DRAWING IS A CONTROLLED DOCUMENT.		DWN: J. POLIGNONE	03JUN05	Tyco Electronics Corporation Harrisburg, Pa 17105-3608	
DIMENSIONS: mm [INCHES]		CHK: A. SHARPE	03JUN05	NAME: ASSEMBLY, RECEPTACLE, EUROCARD, TYPE R, LEAD-FREE, A and C, 64/96 POSITION, 2.79[.110] SOLDER POSTS	
TOLERANCES UNLESS OTHERWISE SPECIFIED:		APPD: A. SHARPE	03JUN05	SIZE: A1	
0 PLC	± -	PRODUCT SPEC		CAGE CODE: 00779	
1 PLC	± -	APPLICATION SPEC		DRAWING NO: 5650870	
2 PLC	± 0.15[.005]			RESTRICTED TO: -	
3 PLC	± -			CUSTOMER DRAWING	
4 PLC	± -			SCALE: 4:1	
ANGLES	± -			SHEET: 1 OF 1	
FINISH	± -			REV: 0	

单击下面可查看定价，库存，交付和生命周期等信息

[>>TE Connectivity\(泰科\)](#)