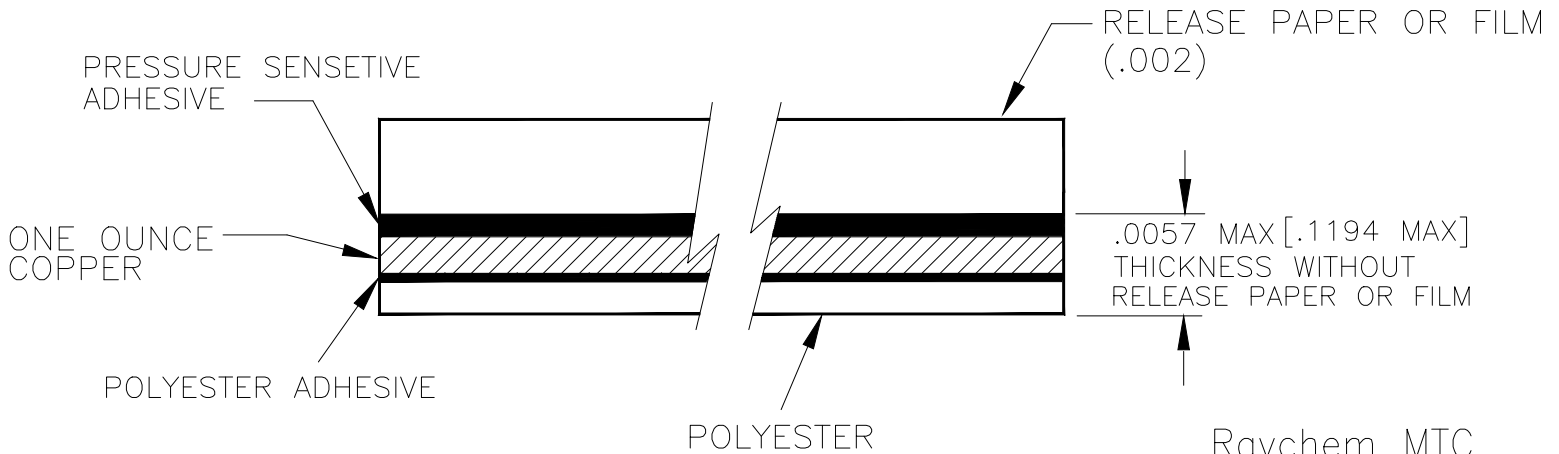
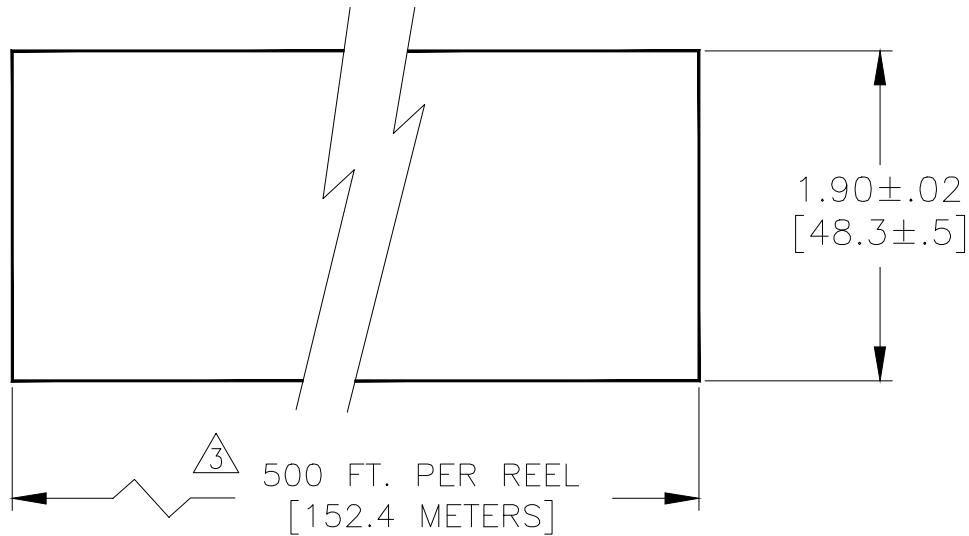


THIS DRAWING AND THE INFORMATION SET FORTH HERE-ON ARE THE PROPERTY OF TYCO ELECTRONICS, AND ARE TO BE HELD IN TRUST AND CONFIDENCE. PUBLICATION, DUPLICATION, DISCLOSURE, OR USE FOR ANY PURPOSE NOT EXPRESSLY AUTHORIZED IN WRITING BY TYCO ELECTRONICS IS PROHIBITED.

REVISIONS			
LTR	DESCRIPTION	DATE	APPROVED
F	PER ECO-07-020415	August/29/07	M.HIGGY
G	PER ECO-11-013261	Jun/27/2011	M.HIGGY
H	PER ECO-19-002625	FEB/21/2019	A.SOLIS

NOTES:

- SHIELD TO BE SUPPLIED ON A REEL.
- 500 FEET PER REEL.
- LENGTH TOLERANCE IS $\pm 10\%$
- WHEN INSTALLED IN DIRECT CONTACT WITH FLAT CONDUCTOR CABLE, THIS SHIELD MEETS THE REQUIREMENTS OF RAYCHEM SPECIFICATION C-6119, TYPE I, SURFACE TRANSFER IMPEDANCE LEVEL IS APPLICATION DEPENDENT.
- SHIELD WITHOUT RELEASE PAPER, WEIGHTS: 7.1g (0.0156 Lbs) MAXIMUM PER FEET.



Raychem MTC
CUSTOMER DRAWING

© 2007-2011 Tyco Electronics. All rights reserved.

UNLESS OTHERWISE SPECIFIED DIMENSIONS ARE IN INCHES. METRIC DIMENSIONS ARE IN BRACKETS.

DECIMALS
 .XXX ± .010 [— mm]
 .XX ± .03 [— mm]
 ANGLES
 .X — ± —

DRAWN	ZS.O.	12/20/99
APPROVED		
APPROVED	M.HIGGY	12/30/99
CAD NAME	CHA-0033	
RPN:	022491-000	



TITLE
 1.900 INCH WIDE
 SHIELD FOR FLAT CABLE,
 ADHESIVE ONE SIDE

SIZE	CAGE CODE:	DWG. NO.	REV
1	022491	CHA-0033	H
SCALE: NONE			
SHEET 1 OF 1			

单击下面可查看定价，库存，交付和生命周期等信息

[>>TE Connectivity\(泰科\)](#)