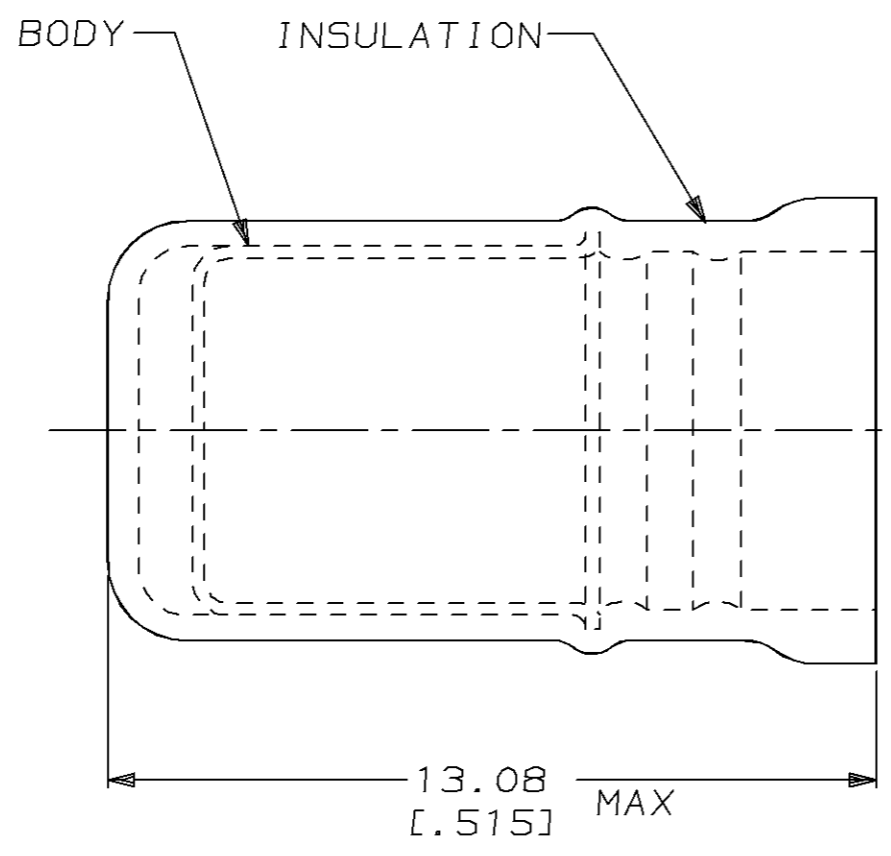


THIS DRAWING IS UNPUBLISHED. RELEASED FOR PUBLICATION, 19 .  
 © COPYRIGHT 19 BY AMP INCORPORATED. ALL RIGHTS RESERVED.

LOC	DIST	REVISIONS					
		P	LTR	DESCRIPTION	DATE	DWN	APVD
G	14		N	REV / REDRAWN / 0720-0482-95 & 0720-0002-95	14FEB95	LO	ME



1. USE FOR AN UNSTRIPPED (SINGLE) WIRE END ONLY
2. WIRE INSUL DIA, 3.81-5.33 [0.150-.210]

-	-	-
-	-	-
1000	LOOSE PIECE	324487
QTY	PACKAGE TYPE	PART NO

AMP INCORPORATED CUSTOMER SERVICE SYSTEM		MAX RECOMMENDED OPERATING TEMPERATURE: 105°C [221°F]	THIS DRAWING IS A CONTROLLED DOCUMENT FOR AMP INCORPORATED. IT IS SUBJECT TO CHANGE AND THE CONTROLLING ENGINEERING ORGANIZATION SHOULD BE CONTACTED FOR THE LATEST REVISION.		DWN L OLMEDA 14FEB95	AMP Incorporated Harrisburg, PA 17105-3608
FOR ADDITIONAL PRODUCT INFORMATION OR COPIES OF DRAWINGS AND TECHNICAL DOCUMENTS	PRODUCT INFORMATION CENTER 1-800-522-6752		VOLTAGE RATING: -	DIMENSIONS: mm [in]	TOLERANCES UNLESS OTHERWISE SPECIFIED:	
FOR APPLICATION TOOLING INFORMATION	TOOLING ASSISTANCE CENTER 1-800-722-1111	CIRCULAR MIL AREA: -		0 PLC ±-	APVD T MICHIELUTTI 14FEB95	NAME SPARE WIRE CAP, YELLOW
FOR ORDER ENTRY	1-800-526-5142			MATERIAL BODY, CU PER ASTM B152	1 PLC ±-	PRODUCT SPEC -
			INSUL, NYLON, COLOR, YELLOW	2 PLC ±0.20 [0.008]	APPLICATION SPEC -	CAGE CODE 00779
				3 PLC ±-	WEIGHT -	DRAWING NO C-324487
				4 PLC ±-	CUSTOMER DRAWING	SCALE 8:1
				ANGLES ±-		SHEET 1 OF 1
				FINISH BODY, TIN PLATE PER MIL-T-10727		REV N

单击下面可查看定价，库存，交付和生命周期等信息

[>>TE Connectivity\(泰科\)](#)