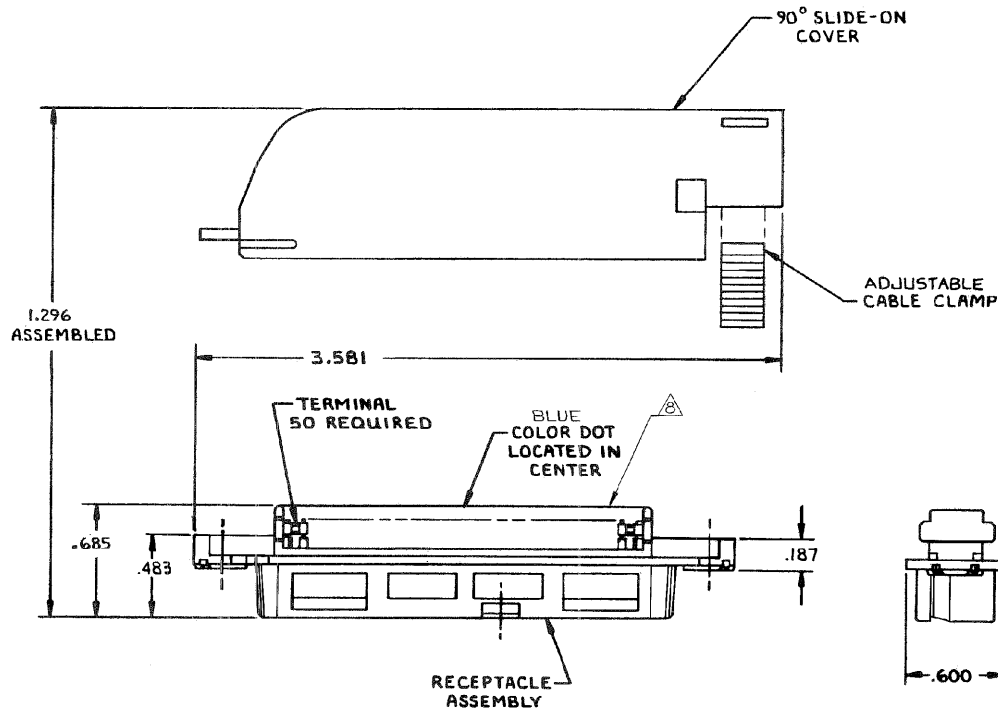
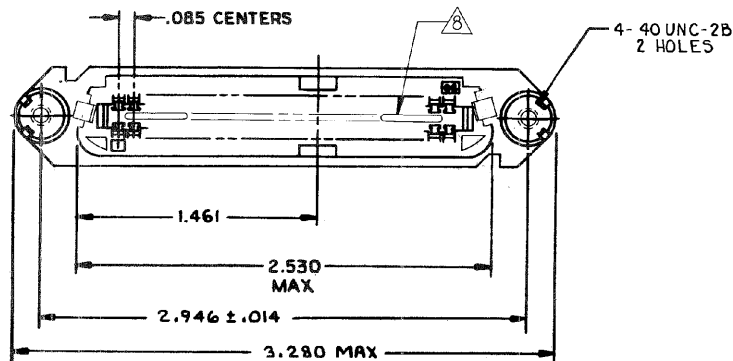


THIS DRAWING IS UNPUBLISHED. RELEASED FOR PUBLICATION  
 © COPYRIGHT BY TYCO ELECTRONICS CORPORATION. ALL RIGHTS RESERVED.

| LOC |     | DIST        |                           | REVISIONS |      |     |  |
|-----|-----|-------------|---------------------------|-----------|------|-----|--|
| #   | LTR | DESCRIPTION | DATE                      | DWN       | APVD |     |  |
| GP  | 00  | H           | REVISED PER ECC-08-007327 | 27JAN2009 | ZMR  | WLM |  |



1. THE CONTACT SURFACES OF THE TERMINALS ARE COATED WITH LUBRICANT.
2. ALL DIMENSIONS ARE REFERENCE ONLY UNLESS OTHERWISE SPECIFIED.
3. MATERIAL:  
HOUSING, COVER AND CABLE CLAMP - THERMOPLASTIC (BLACK)  
TERMINALS - HIGH STRENGTH COPPER ALLOY PLATED WITH EITHER .000030 MIN GOLD OR GOLD FLASH OVER PALLADIUM NICKEL PLATE .000030 MIN TOTAL, ON MATING SURFACE. .000050 MIN NICKEL UNDERPLATE OVER ENTIRE TERMINAL.
4. COVER AND CABLE CLAMP SHIPPED UNASSEMBLED.
5. WIRE SIZE: 24 & 26 AWG SOLID OR 24 AWG 7 STRANDS OF COPPER CONDUCTOR. MAX INSULATION DIA OF .045 IS ACCEPTABLE FOR MOST APPLICATIONS.
6. CABLE RANGE: .425 MAX DIA
7. KIT SHIPPED IN POLYBAG FORM.
8. CORING MAY OR MAY NOT APPEAR AND IS AT THE DISCRETION OF TYCO ELECTRONICS.



|             |          |
|-------------|----------|
| AS SHOWN    | 553912-1 |
| DESCRIPTION | PART NO  |

|  |  |                               |   |  |
|--|--|-------------------------------|---|--|
| THIS DRAWING IS A CONTROLLED DOCUMENT. |  | DWN<br>A. HOLT<br>9-13-82     | Tyco Electronics Corporation<br>Harrisburg, PA 17105-3608 |  |
| DIMENSIONS:<br>INCHES                  |  | CHK<br>M.D. FRIEL<br>9-14-82  | NAME  |  |
| TOLERANCES UNLESS OTHERWISE SPECIFIED: |  | APVD<br>C.F. MORGA<br>9-15-82 | PRODUCT SPEC  |  |
| 0 PLC ± .010                           |  | APPLICATION SPEC              |   |  |
| 1 PLC ± .005                           |  | SIZE                          |   |  |
| 2 PLC ± .003                           |  | CAGE CODE                     |   |  |
| 3 PLC ± .002                           |  | DRAWING NO                    |   |  |
| 4 PLC ± .001                           |  | RESTRICTED TO                 |   |  |
| ANGLES ± .010                          |  | A2 00779                      |   |  |
| FINISH                                 |  | C=553912                      |   |  |
| MATERIAL                               |  | CUSTOMER DRAWING              |   |  |
| SCALE                                  |  | NTS                           |   |  |
| SHEET                                  |  | 1 OF 1                        |   |  |
| REV                                    |  | H                             |   |  |

AMP 1471-9 REV 31MAR2000

单击下面可查看定价，库存，交付和生命周期等信息

[>>TE Connectivity\(泰科\)](#)