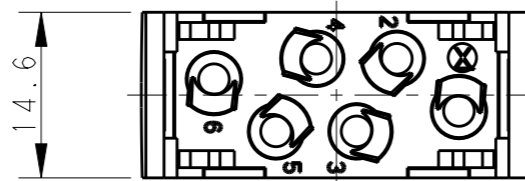
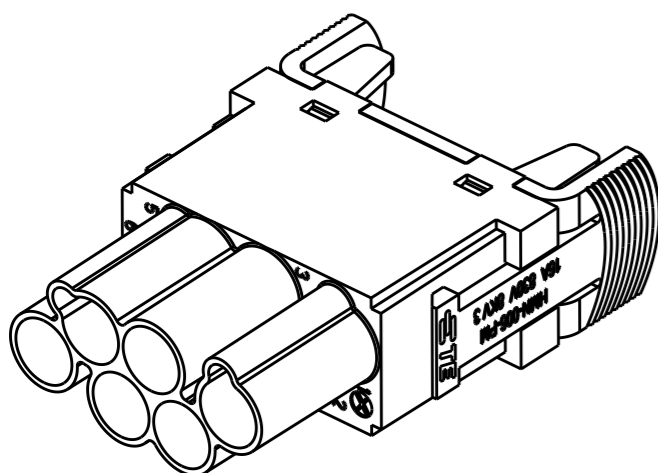


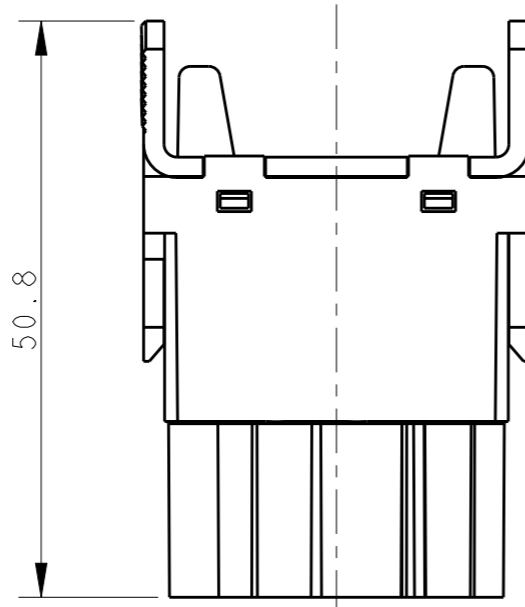
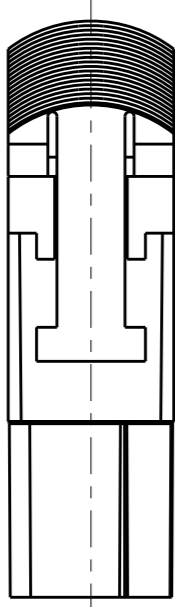
THIS DRAWING IS UNPUBLISHED. RELEASED FOR PUBLICATION 20
 © COPYRIGHT 20 BY - ALL RIGHTS RESERVED.

REVISIONS

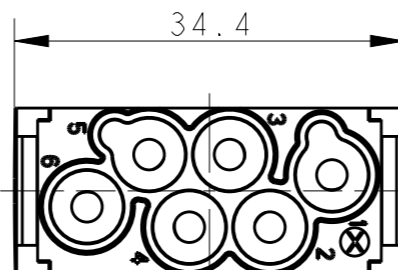
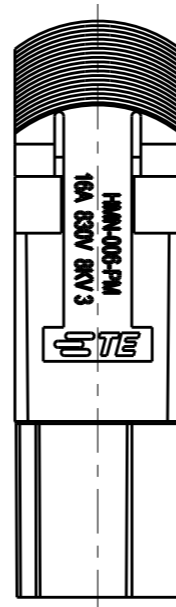
P	LTR	DESCRIPTION	DATE	DWN	APVD
	B	INITIAL	19SEP2017	YC	CW



14.6



50.8



34.4

NOTES:

- TECHNICAL CHARACTERISTICS:
 INSULATION MATERIAL: PC
 RATED VOLTAGE: 830V
 RATED CURRENT: 16A
 INSULATION RESISTANCE: $\geq 400M\Omega$
 RATED IMPULSE VOLTAGE: 8KV
 POLLUTION DEGREE: 3
 FLAMMABILITY: UL94V-0
 MATING CYCLES: 500 CYCLES
 WIRE RANGE: 0.14~4 mm² (26~12 AWG)
 CONTACT TYPE: CRIMP CONTACT
- CONTACT NEED TO BE ORDERED SEPARATELY.
 (ORDER No. REFER TO DRAWING:T20300X10XX000)

注释:

- 技术参数:
 绝缘材料: PC
 额定电压: 830V
 额定电流: 16A
 绝缘电阻: $\geq 400M\Omega$
 额定脉冲电压: 8KV
 污染等级: 3
 阻燃等级: UL94V-0
 插拔次数: 500次
 接线范围: 0.14~4 mm² (26~12 AWG)
 接线类型: 冷压接
- 端子需要单独订购。
 (订货号参考图面: T20300X10XX000)

T2111063101-007	HMN-006-PM	HMN-006 MALE MODULE INSERT,HV HMN-006 高压模块公插		
PART NUMBER 料号		PART DESCRIPTION 描述		
DWN 19SEP2017 YORK CHEN				
CHK 19SEP2017 GINO YAO				
APVD 19SEP2017 CHRIS WANG				
PRODUCT SPEC 108-137120				
APPLICATION SPEC 114-137120		NAME HMN-006-PM	RESTRICTED TO	
WEIGHT -		SIZE A3	CAGE CODE 00779	DRAWING NO T2111063101007
Customer Drawing		SCALE 3:2	SHEET 1 OF 1	REV B

THIS DRAWING IS A CONTROLLED DOCUMENT.	
DIMENSIONS: mm	TOLERANCES UNLESS OTHERWISE SPECIFIED:
	0 PLC ±-
	1 PLC ±-
	2 PLC ±-
	3 PLC ±-
	4 PLC ±-
	ANGLES ±-
MATERIAL -	FINISH -

单击下面可查看定价，库存，交付和生命周期等信息

[>>TE Connectivity\(泰科\)](#)