

THIS DRAWING IS UNPUBLISHED.

RELEASED FOR PUBLICATION NOV , 2005.

© COPYRIGHT 2005 By -

ALL RIGHTS RESERVED.

LOC E	DIST B	REVISIONS		
P	LTR	DESCRIPTION	DATE	DWN
	D	ECR-14-019277	30DEC2014	APVD MY

NOTES:

1 SINGLE PACKING: ONE CONNECTOR PER LABELED BAG PACKAGED. LABELED PER TEC-107-115

2 TRAY PACKAGED

3 Ag PLATING

4 WHITE BRONZE PLATING

5 ELECTRICAL CHARACTERISTICS

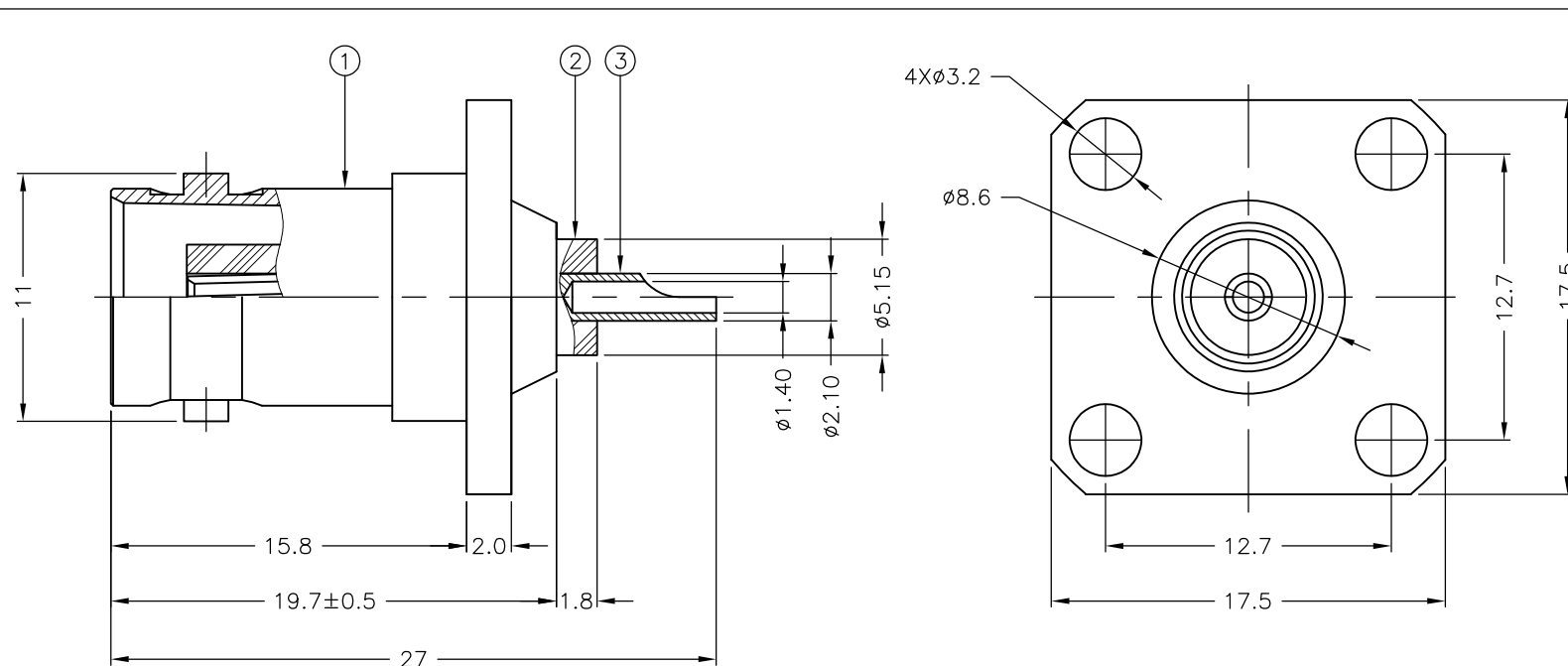
FREQUENCY RANGE: DC - 2 GHz  
 NOMINAL IMPEDANCE: 50 & 75 Ohm  
 INSULATION RESISTANCE: 5000 MOhm  
 WORKING VOLTAGE: 500 Volts RMS at Sea Level  
 DIELECTRIC WITHSTAND VOLTAGE: 1000 Volts RMS Max  
 CONTACT RESISTANCE:  
 CENTER CONTACT: 1.50 mOhm Max  
 OUTER CONTACT: 1.00 mOhm Max  
 VSWR @ 2GHz: 1.35 Max

6 MECHANICAL CHARATERISTICS

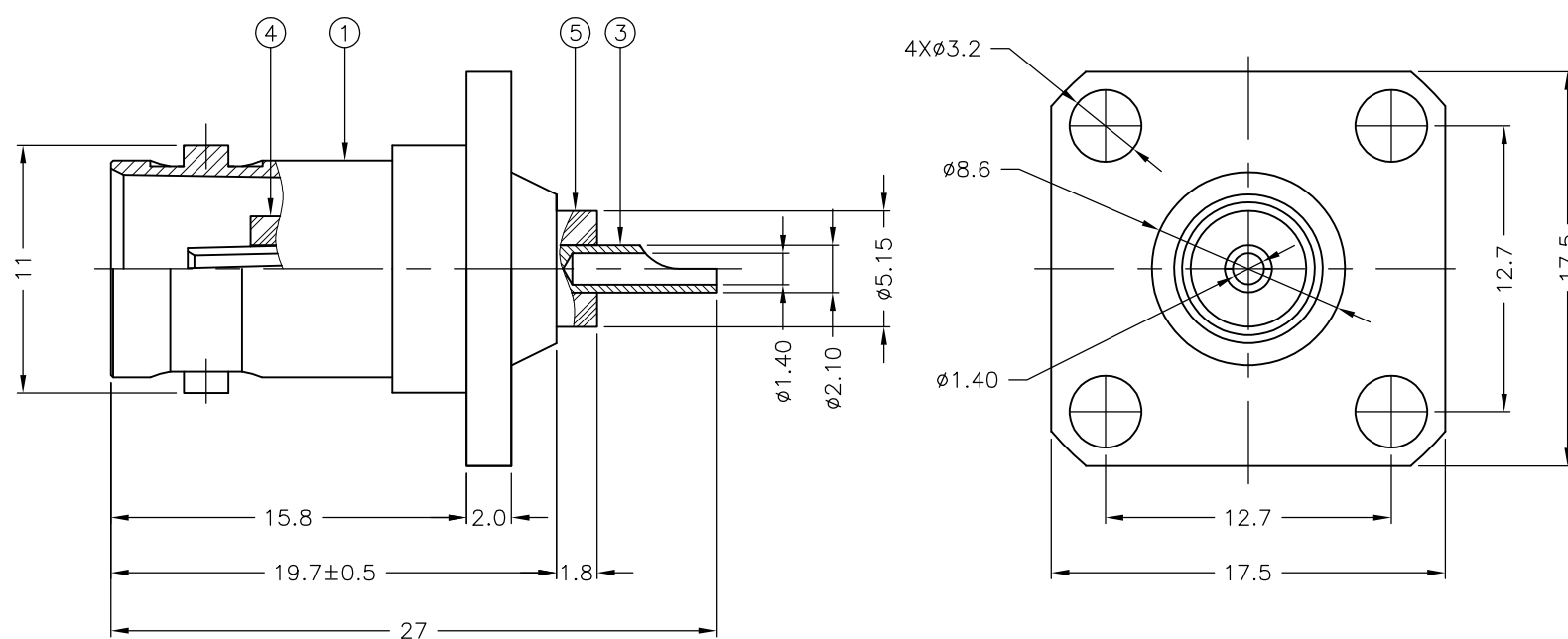
DURABILITY: 500 Cycles Min

7 ENVIRONMENTAL CHARACTERISTICS

OPERATING TEMPERATURE: -40 to +85 DegC



1-1337446-0 / 3-1337446-0 / 6-1337446-0 50ohm



1-1337446-1 / 3-1337446-1 / 6-1337446-1 75ohm

1	1	1	-	-	-	PTFE	INSULATION	5
1	1	1	-	-	-	PTFE	INSULATION	4
1	1	1	1	1	1	PHOSPHOR BRONZE	CONTACT	3
-	-	-	1	1	1	PTFE	INSULATION	2
1	-	-	1	-	-	BRASS	BODY	1
-	1	1	-	1	1	BRASS	BODY	1
3--1	6--1	1--1	3--0	6--0	1--0	MATERIAL	DESCRIPTION	ITEM
△	△	△	△	△	△			
QUANTITY PER ASSY			PARTS LIST					

THIS DRAWING IS A CONTROLLED DOCUMENT.

DWN J.SANDWELL 26NOV05  
 CHK S.PARLOW 26NOV05  
 APVD F.WHEELER-KING 26NOV05

**STE** TE Connectivity

NAME: BNC PANEL SOCKET 50 OHM & 75 OHM

PRODUCT SPEC: -  
 APPLICATION SPEC: -

SIZE: A3 CAGE CODE: 00779 DRAWING NO: C-1337446 RESTRICTED TO: -

MATERIAL: SEE TABLE FINISH: - WEIGHT: -

CUSTOMER DRAWING SCALE: NTS SHEET: 1 OF 1 REV: D

单击下面可查看定价，库存，交付和生命周期等信息

[>>TE Connectivity\(泰科\)](#)