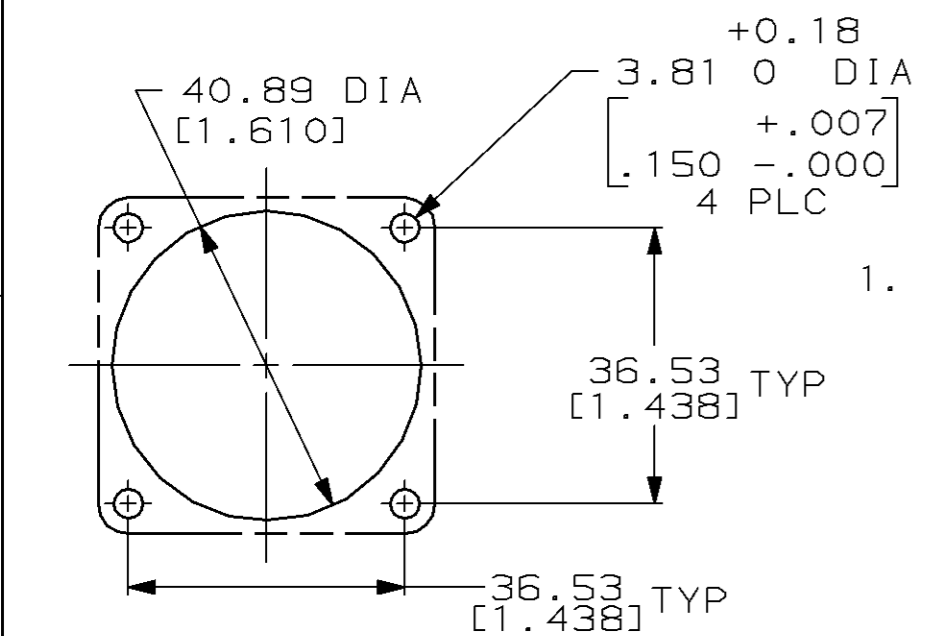
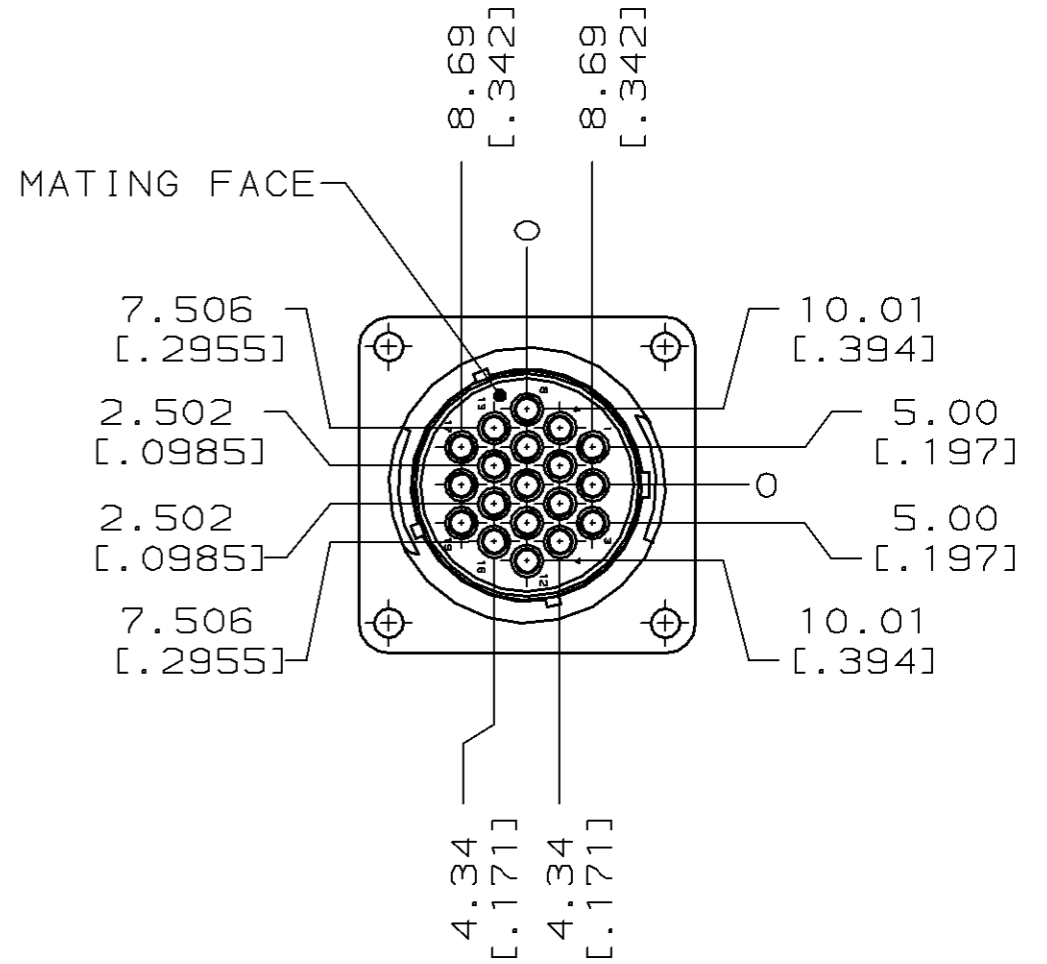
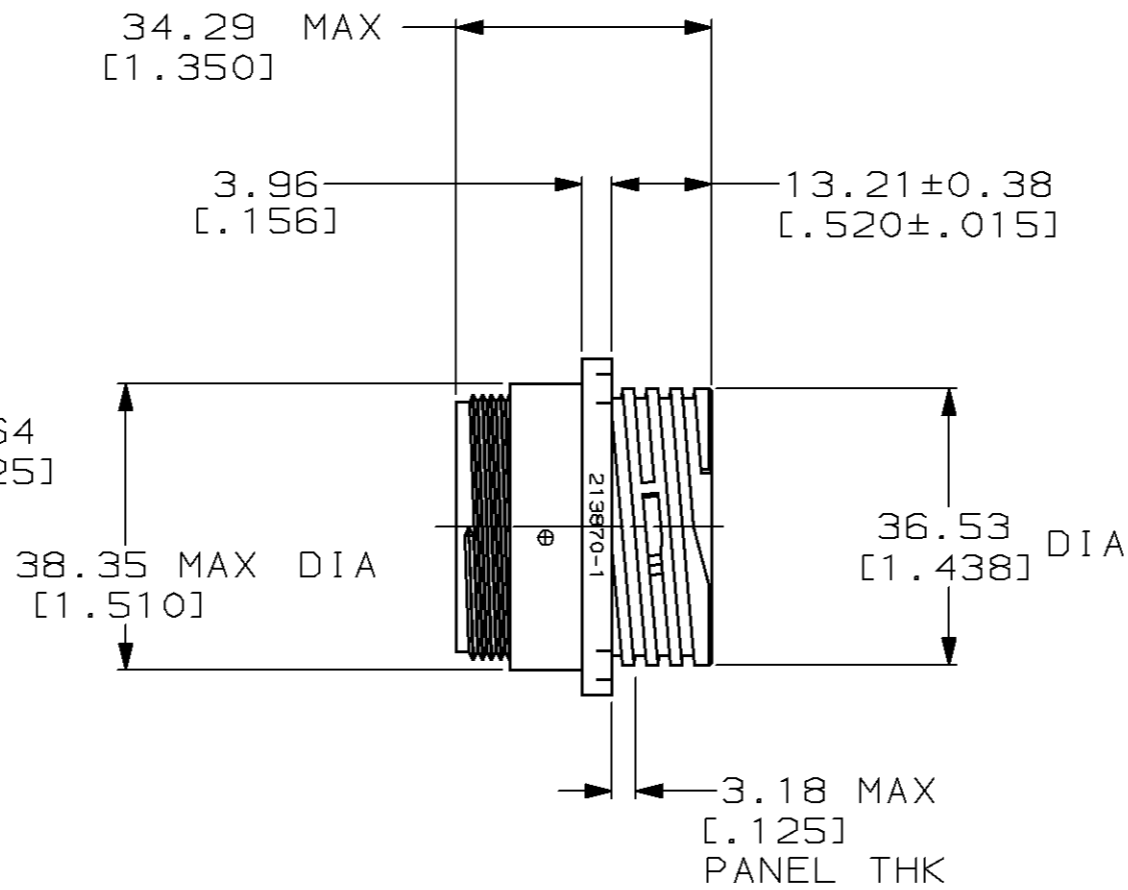
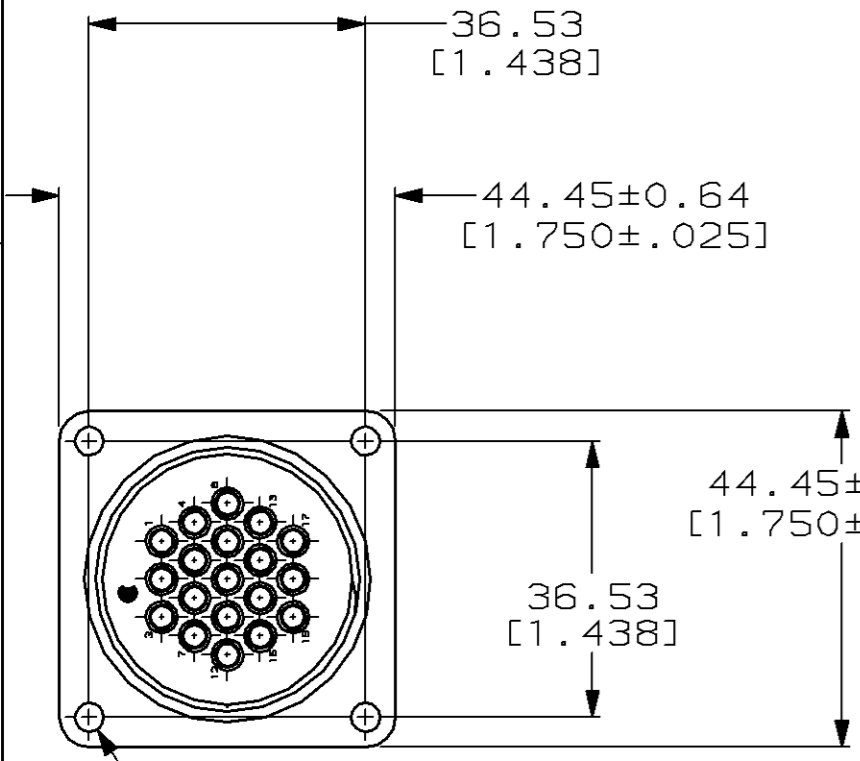


THIS DRAWING IS UNPUBLISHED. RELEASED FOR PUBLICATION, 19 .
 © COPYRIGHT 19 BY AMP INCORPORATED. ALL INTERNATIONAL RIGHTS RESERVED.

LOC	DIST	P	F	REVISIONS				
				ZONE	LTR	DESCRIPTION	DATE	APPD
BD	35				0	RLSE PER NPR 5258 WAS 94-5029-034-01	01/03/95	-
					A	REV PER EC 0020-573-96	30 MAY 96	TW



1. WILL ACCEPT (19) MULTIMATE PIN CONTACTS.

RECOMMENDED PANEL CUTOUT

THIS DRAWING IS A CONTROLLED DOCUMENT FOR AMP INCORPORATED. IT IS SUBJECT TO CHANGE AND THE CONTROLLING ENGINEERING ORGANIZATION SHOULD BE CONTACTED FOR THE LATEST REVISION.

DO NOT SCALE PRINT. UNLESS SPECIFIED DIMENSIONS IN mm [INCHES] TOLERANCES ON: 2 PLC DEC ± 0.25 [0.010] 3 PLC DEC ± - ANGLES ± -		DR 01/03/95 K.FOLTZ	AMP Incorporated Harrisburg, PA 17105-3608
MATERIAL NYLON, BLACK	CHK 01/05/95 R.STONE	APPD 01/05/95 T.COULSON	
FINISH -	APPD 01/12/95 A.FRANTUM	PRODUCT SPEC 108-10024	NAME RECEPTACLE HOUSING, STANDARD SEX, SIZE 23, CPC
PART NO 213870-1		APPLICATION SPEC -	SIZE B
SCALE 1:1		WEIGHT -	CAGE CODE 00779
DRAWING NO C=213870		SHEET 1 OF 1	

单击下面可查看定价，库存，交付和生命周期等信息

[>>TE Connectivity\(泰科\)](#)