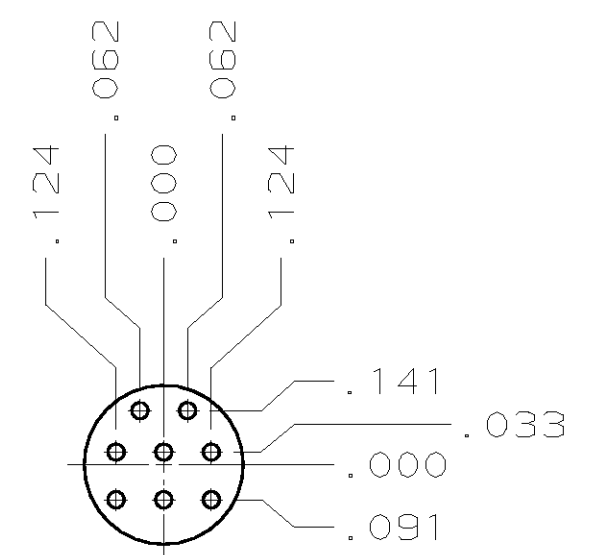
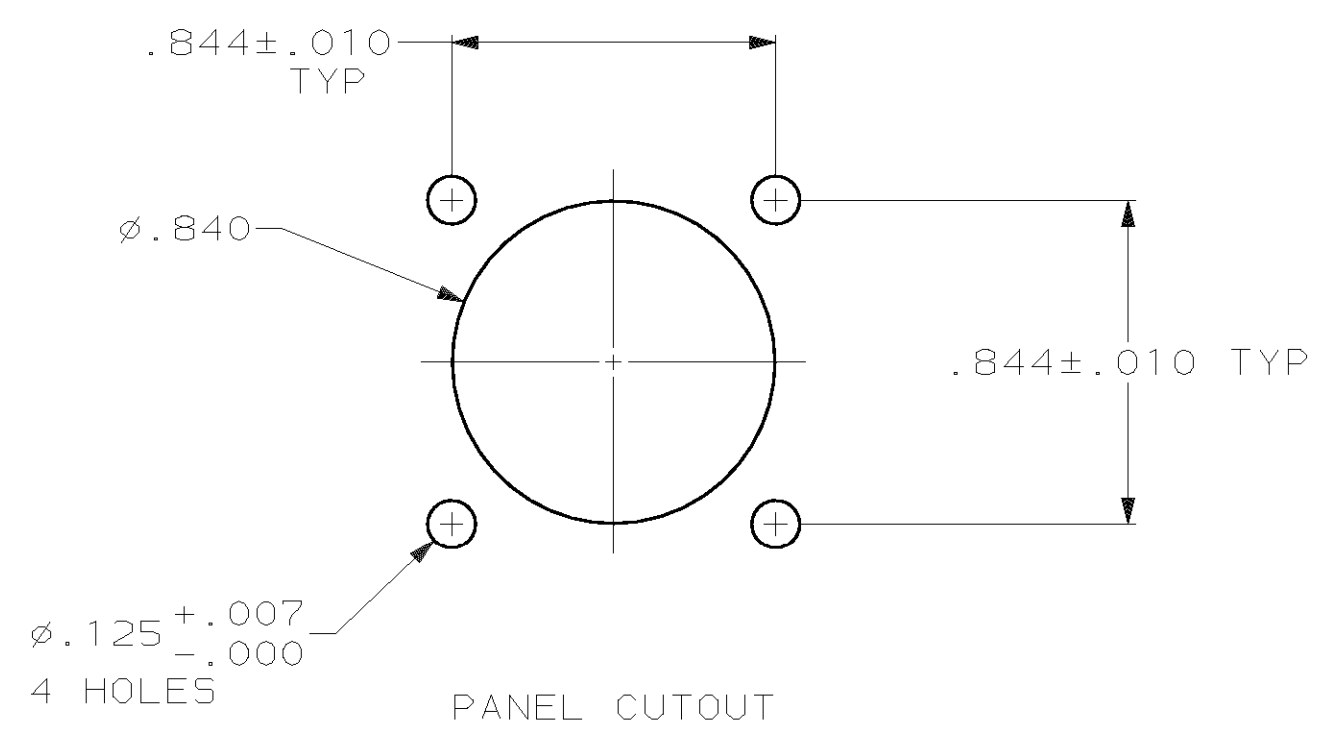
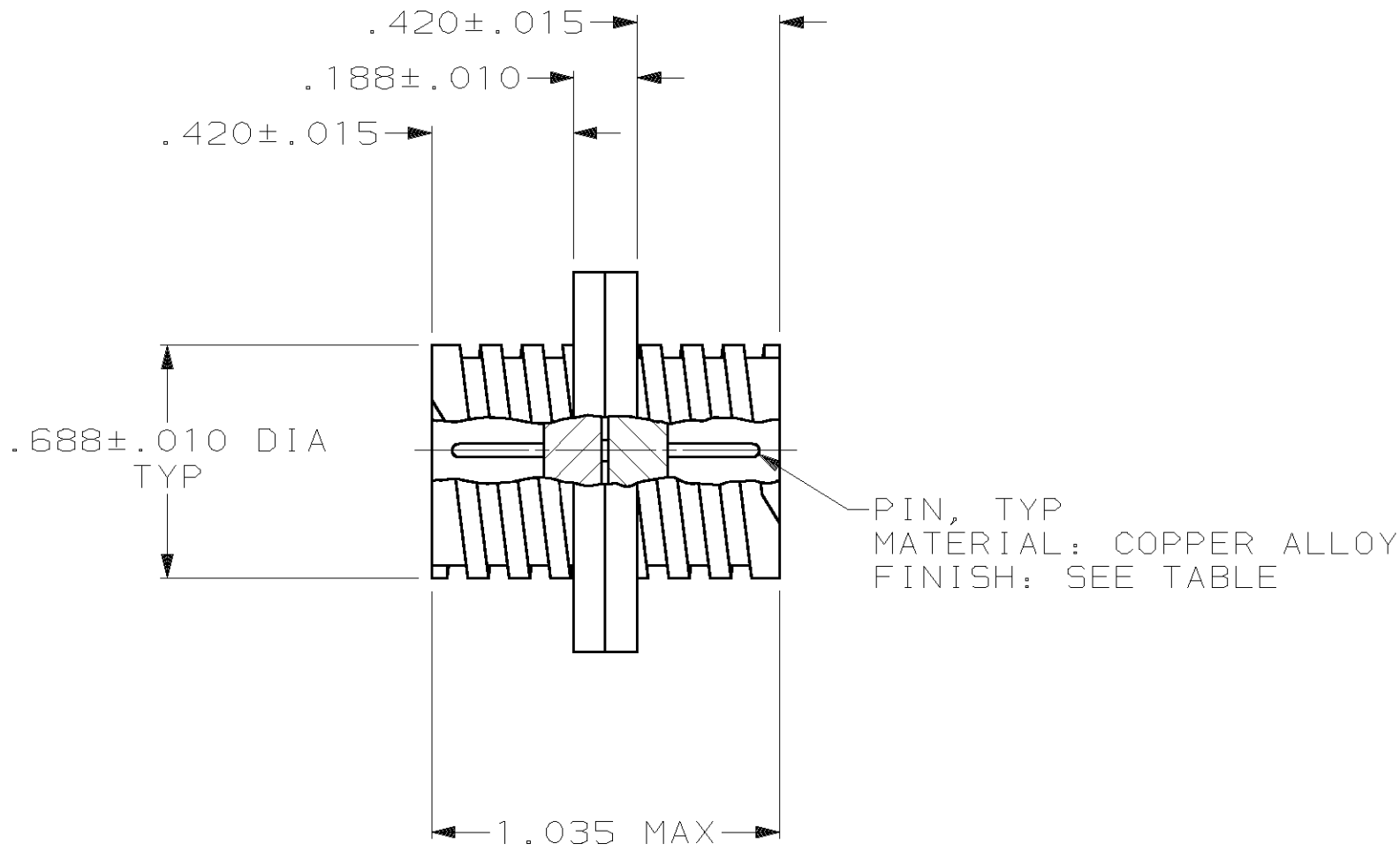
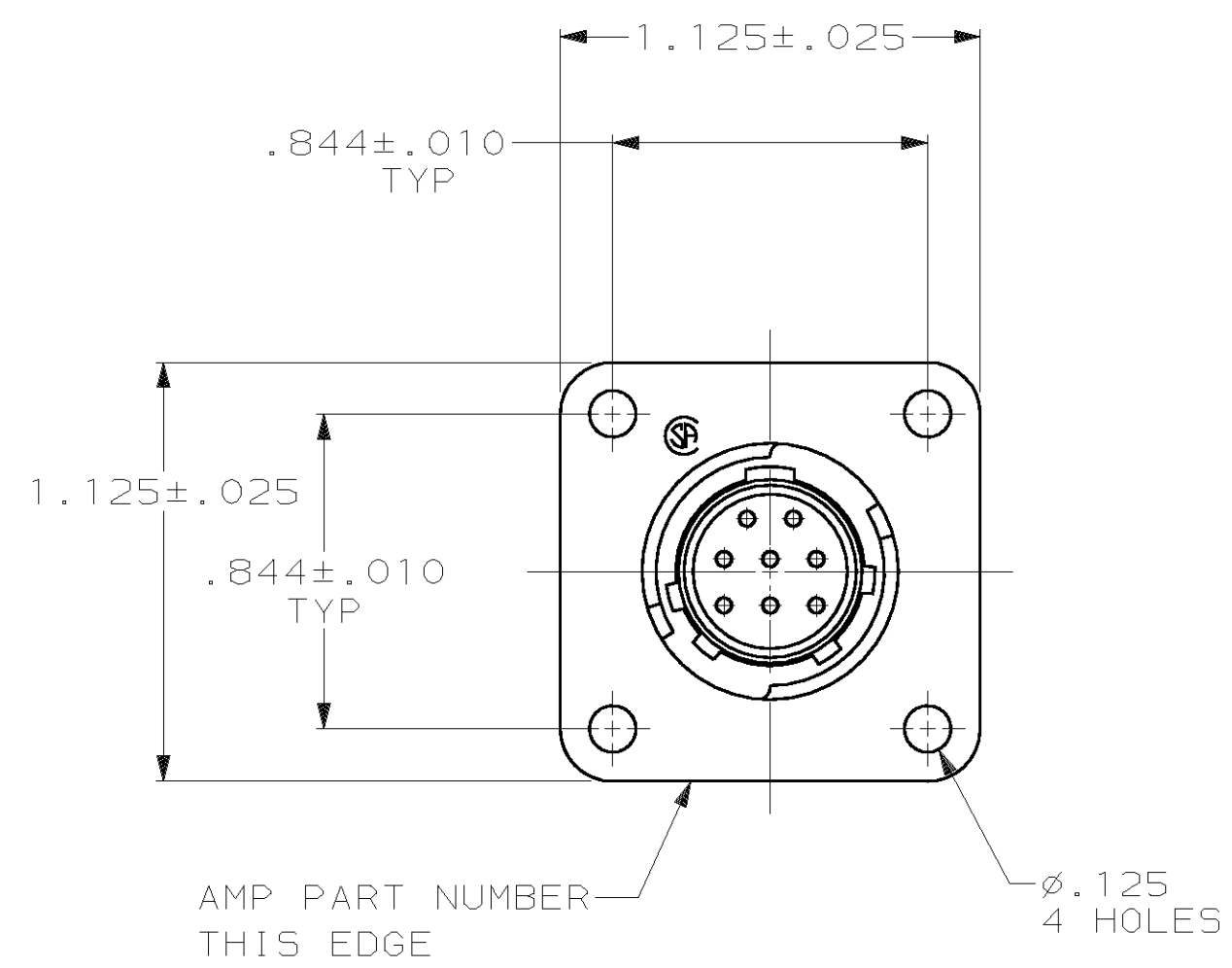


THIS DRAWING IS UNPUBLISHED. RELEASED FOR PUBLICATION, 19  
 © COPYRIGHT 19 BY AMP INCORPORATED. ALL INTERNATIONAL RIGHTS RESERVED.

LOC		DIST		P		F		ZONE		LTR		REVISIONS			
FT		0										DESCRIPTION	DATE	APPD	
												E	REVISE PER ECN 063B-0261-00	13JUL00	SU/MC



- 1 GOLD PER MIL-G-45204 OVER NICKEL PER QQ-N-290.
- 2 TIN PER MIL-T-10727.
- 3 ACCOMODATES 8 SIZE 20 PIN CONTACTS, PERMANENTLY INSTALLED.

OBSOLETE	2	206458-2
	1	206458-1
CONTACT FINISH		PART NUMBER

DO NOT SCALE PRINT. UNLESS SPECIFIED DIMENSIONS IN INCHES TOLERANCES ON:		DR 5-21-91 J GALLUCCI B6		AMP Incorporated Harrisburg, PA 17105-3608	
2 PLC DEC ± -		CHK 4-13-92 W.G.LENKER			
3 PLC DEC ± .005		APPD 4-13-92 K.BEAVER		NAME	
ANGLES ± -		APPD 4-13-92 C.ROHDE			
MATERIAL		PRODUCT SPEC		RECEPTACLE ASSEMBLY, FEED THRU, SERIES 2, 11-8, CPC	
RCPT: THERMOPLASTIC COLOR: BLACK		108-10024			
FINISH		APPLICATION SPEC		SIZE	CAGE CODE
SEE TABLE		-		© 00779	DRAWING NO
		WEIGHT		SCALE	SHEET
		-		2:1	206458
					1 OF 1

单击下面可查看定价，库存，交付和生命周期等信息

[>>TE Connectivity\(泰科\)](#)