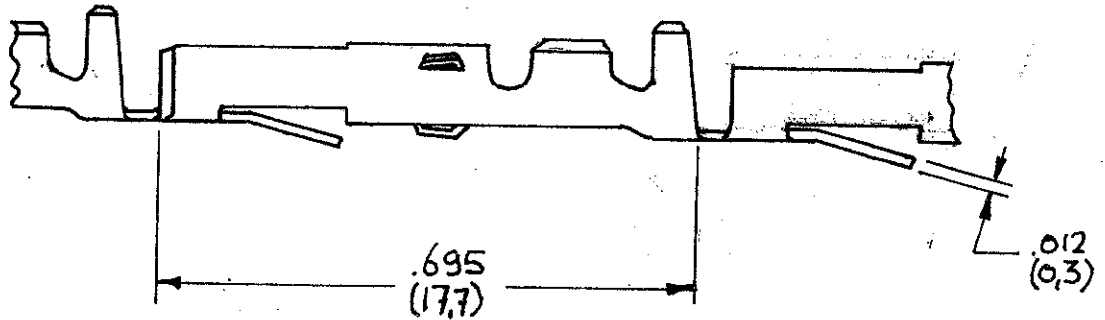
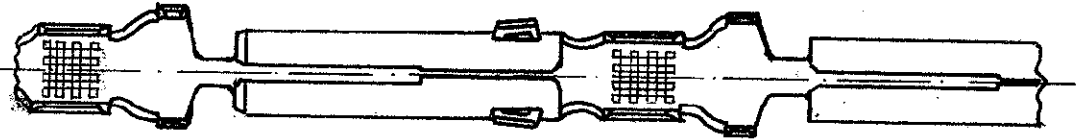
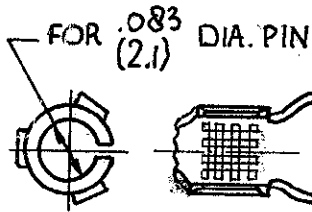
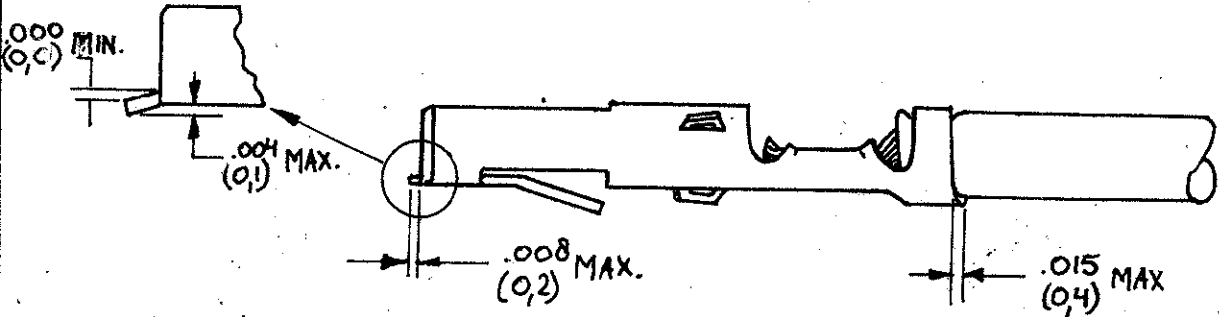
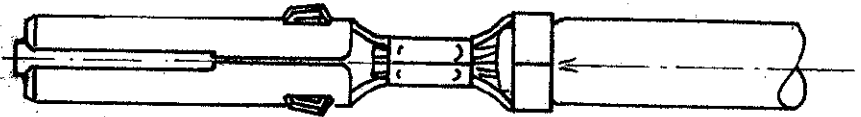


DRAWING MADE IN AMERICAN PROJECTION

NUMBER C-160495



DIMENSIONS IN (M.M.) DO NOT SCALE PRINT

160495-4	PHOSPH. BR	PRE-TIN
160495-3	PHOSPH. BR	NONE
160495-2	BRASS	PRE-TIN
160495-1	BRASS	NONE
ORDER NO.	MATERIAL	PLATING
DR A. BUNEN 11.4.72	DATE 11.4.72	DE DATE
CHK	DATE	APP DATE 11.4.72

**CUSTOMER COPY FOR REFERENCE ONLY**

©1972 BY AMP-HOLLAND N.V. ALL RIGHTS RESERVED A-MP PRODUCTS COVERED BY PATENTS AND/OR PATENTS PENDING.

WIRE-RANGE 0,5-1,0 mm <sup>2</sup>	INSUL.-RANGE .070-.130 DIA (1,8-3,3)	FIRST USED 4
SCALE 4:1	SIZE A	NO C-160495

**AMP**  
AMP - HOLLAND N.V.  
's-Hertogenbosch

NAME  
**MATE-N-LOK SOCKET**

REV B

单击下面可查看定价，库存，交付和生命周期等信息

[>>TE Connectivity\(泰科\)](#)