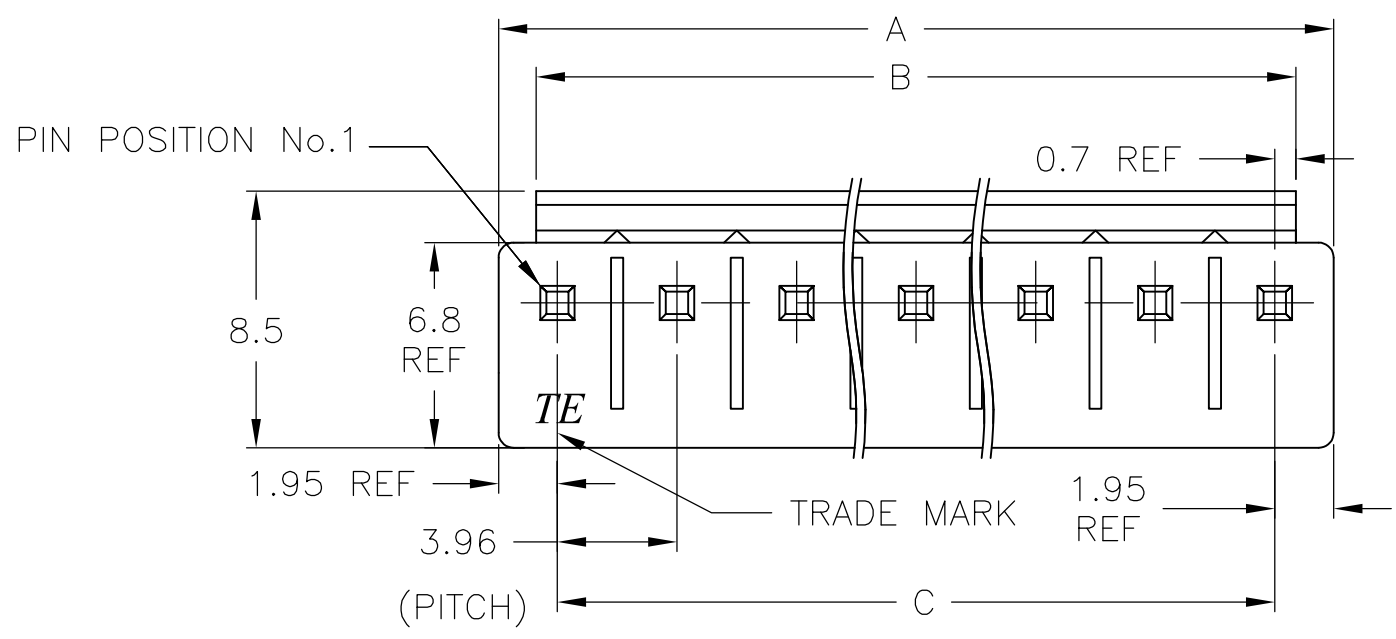


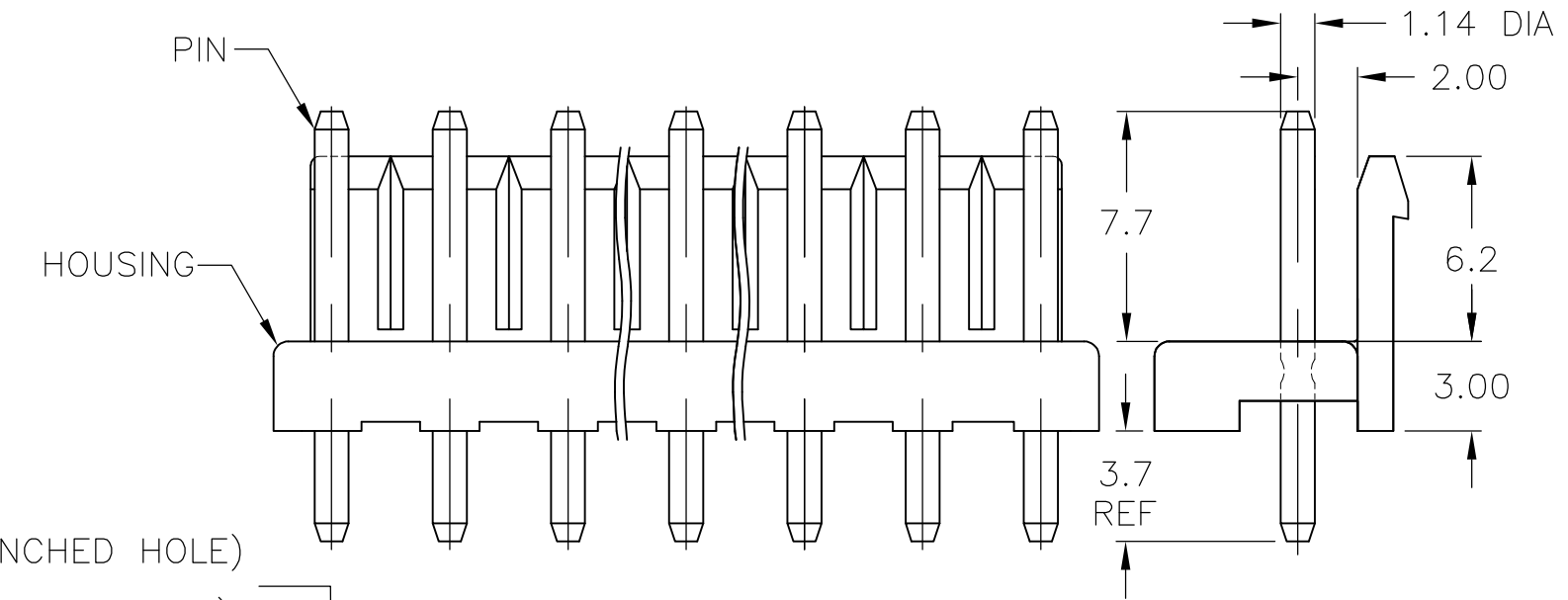
THIS DRAWING IS UNPUBLISHED. RELEASED FOR PUBLICATION  
 © COPYRIGHT - By - ALL RIGHTS RESERVED.

LOC	DIST	REVISIONS			
P	LTR	DESCRIPTION	DATE	DWN	APVD
J	-	E1	REVISED PER ECR-15-015434	02NOV15	O.C D.Z

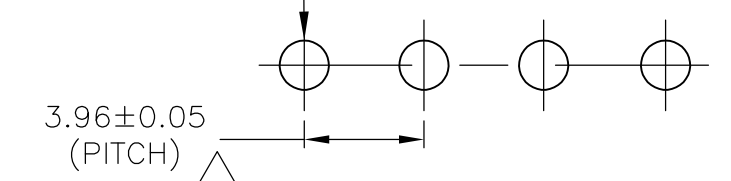


- 1 MATING CONN P/N: □-1123722-□
- 2 APPLICABLE P.C.B LAYOUT: SEE FIG. 1
- 3 APPLICABLE P.C.B THICKNESS: 1.60
- 4 SKETCHES SHOW NO CONTACTS MISSING.

SEE NOTE 5 THRU 9 ON SHEET 2



$\phi 1.60^{+0.1}_{-0.0}$  (PUNCHED HOLE)  
 $\phi 1.65^{+0.1}_{-0.0}$  (DRILLED HOLE)



4  
 2 FIG. 1

THIS DRAWING IS A CONTROLLED DOCUMENT.		DWN 12JUN2014 NAGALAKSHMI K		TE Connectivity		
DIMENSIONS: mm		CHK 12JUN2014 SEILHAMER, MALACHI				
TOLERANCES UNLESS OTHERWISE SPECIFIED:		APVD 12JUN2014 SEILHAMER, MALACHI		NAME ECONOMY POWER (EP) CONN HEADER ASSY 3.96MM PITCH SPECIAL		
0 PLC ± 0.5 1 PLC ± 0.5 2 PLC ± 0.30 3 PLC ± 4 PLC ± ANGLES ±		PRODUCT SPEC 108-5609		SIZE A3		
MATERIAL		FINISH		CAGE CODE MS		
-		-		DRAWING NO C-1717011		
		WEIGHT		RESTRICTED TO		
		-		-		
CUSTOMER DRAWING			SCALE		SHEET 1 OF 2	
			-		REV E1	

THIS DRAWING IS UNPUBLISHED. RELEASED FOR PUBLICATION  
 © COPYRIGHT - By - ALL RIGHTS RESERVED.

LOC	DIST	REVISIONS					
J	-	P	LTR	DESCRIPTION	DATE	DWN	APVD
		-		SEE SHEET 1	-	-	-

**5** COMPLY WITH GLOW WIRE REQUIREMENTS FOR PARTS OF NON-METALIC MATERIAL SUPPORTING A CURRENT CARRYING CONNECTION DETAILED IN IEC 60335-1 SECTION 30 (GWT [GLOW WIRE TEST]) 750° SPEC.

**6** PIN: MATERIAL: BRASS  
FINISH: POST TIN


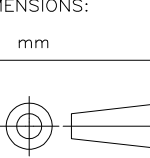
**7** HOUSING: PBT, UL94-V0

**8** HOUSING: NYLON, UL94-V2

**9** O : WITH PIN  
X : WITHOUT PIN

NO		1	2	3	4	5	6	7	8	9	10	11	C	B	A	COLOR	POS	PART NUMBER	
	<b>7</b>	○	○	×	○	○	-	-	-	-	-	-	15.84	17.24	19.74	BLACK	5	8-1717011-4	
YES	<b>8</b>	○	○	×	×	○	-	-	-	-	-	-	15.84	17.24	19.74	NATURAL	5	8-1717011-3	
	<b>8</b>	○	○	○	○	×	○	-	-	-	-	-	19.80	21.20	23.70	NATURAL	6	7-1717011-5	
NO	<b>7</b>	○	×	○	○	○	-	-	-	-	-	-	15.84	17.24	19.74	YELLOW	5	7-1717011-4	
YES	<b>8</b>	○	×	○	○	×	-	-	-	-	-	-	11.88	17.24	19.74	NATURAL	5	7-1717011-3	
NO	<b>7</b>	○	×	○	○	○	-	-	-	-	-	-	19.80	21.20	23.70	BLUE	6	6-1717011-5	
		○	×	○	○	○	-	-	-	-	-	-	-	15.84	17.24	19.74	GREEN	5	6-1717011-4
		○	○	○	○	×	○	-	-	-	-	-	-	19.80	21.20	23.70	GREEN	6	5-1717011-5
		○	×	○	○	○	-	-	-	-	-	-	-	15.84	17.24	19.74	BLACK	5	5-1717011-4
		○	○	×	×	○	-	-	-	-	-	-	-	15.84	17.24	19.74	NATURAL	5	5-1717011-3
		○	○	○	○	×	○	-	-	-	-	-	-	19.80	21.20	23.70	BLACK	6	4-1717011-5
		○	×	○	○	○	-	-	-	-	-	-	-	15.84	17.24	19.74	RED	5	4-1717011-4
		○	×	○	○	×	-	-	-	-	-	-	-	11.88	17.24	19.74	NATURAL	5	4-1717011-3
		○	○	○	○	×	○	-	-	-	-	-	-	19.80	21.20	23.70	RED	6	3-1717011-5
	<b>8</b>	○	○	○	×	○	-	-	-	-	-	-	15.84	17.24	19.74	GREEN	5	3-1717011-4	
YES	<b>8</b>	○	○	○	×	○	-	-	-	-	-	-	15.84	17.24	19.74	NATURAL	5	3-1717011-1	
NO	<b>7</b>	○	○	○	○	×	○	-	-	-	-	-	19.80	21.20	23.70	YELLOW	6	2-1717011-5	
		○	○	×	○	○	-	-	-	-	-	-	-	15.84	17.24	19.74	NATURAL	5	2-1717011-4
YES	<b>8</b>	○	○	×	○	○	-	-	-	-	-	-	15.84	17.24	19.74	NATURAL	5	2-1717011-1	
NO	<b>7</b>	○	○	○	○	×	○	-	-	-	-	-	19.80	21.20	23.70	NATURAL	6	1-1717011-5	
		○	×	○	○	○	-	-	-	-	-	-	-	15.84	17.24	19.74	NATURAL	5	1-1717011-4
YES	<b>8</b>	○	×	○	○	○	-	-	-	-	-	-	15.84	17.24	19.74	NATURAL	5	1-1717011-1	
GWT <b>5</b>	HOUSING MATERIAL	PIN POSITION <b>9</b>											DIMENSION			COLOR	POS	PART NUMBER	

THIS DRAWING IS A CONTROLLED DOCUMENT.

DIMENSIONS: mm	TOLERANCES UNLESS OTHERWISE SPECIFIED:	DWN 12JUN2014 NAGALAKSHMI K	 TE Connectivity ECONOMY POWER (EP) CONN HEADER ASSY 3.96MM PITCH SPECIAL
	0 PLC ± 0.5 1 PLC ± 0.5 2 PLC ± 0.30 3 PLC ± 4 PLC ± ANGLES ±	CHK 12JUN2014 SEILHAMER, MALACHI	
		APVD 12JUN2014 SEILHAMER, MALACHI	
		PRODUCT SPEC 108-5609	
MATERIAL	FINISH	APPLICATION SPEC	NAME SIZE CAGE CODE DRAWING NO RESTRICTED TO A3 MS C-1717011
		WEIGHT	SCALE SHEET 2 OF 2 REV E1

CUSTOMER DRAWING

单击下面可查看定价，库存，交付和生命周期等信息

[>>TE Connectivity\(泰科\)](#)