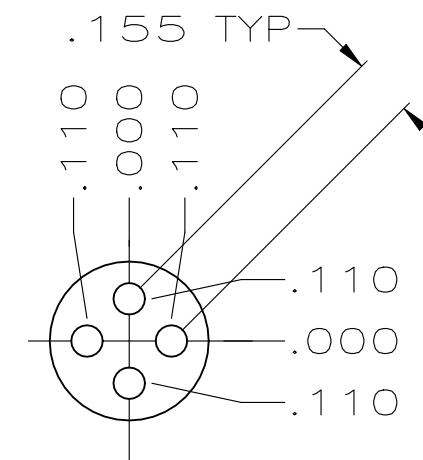
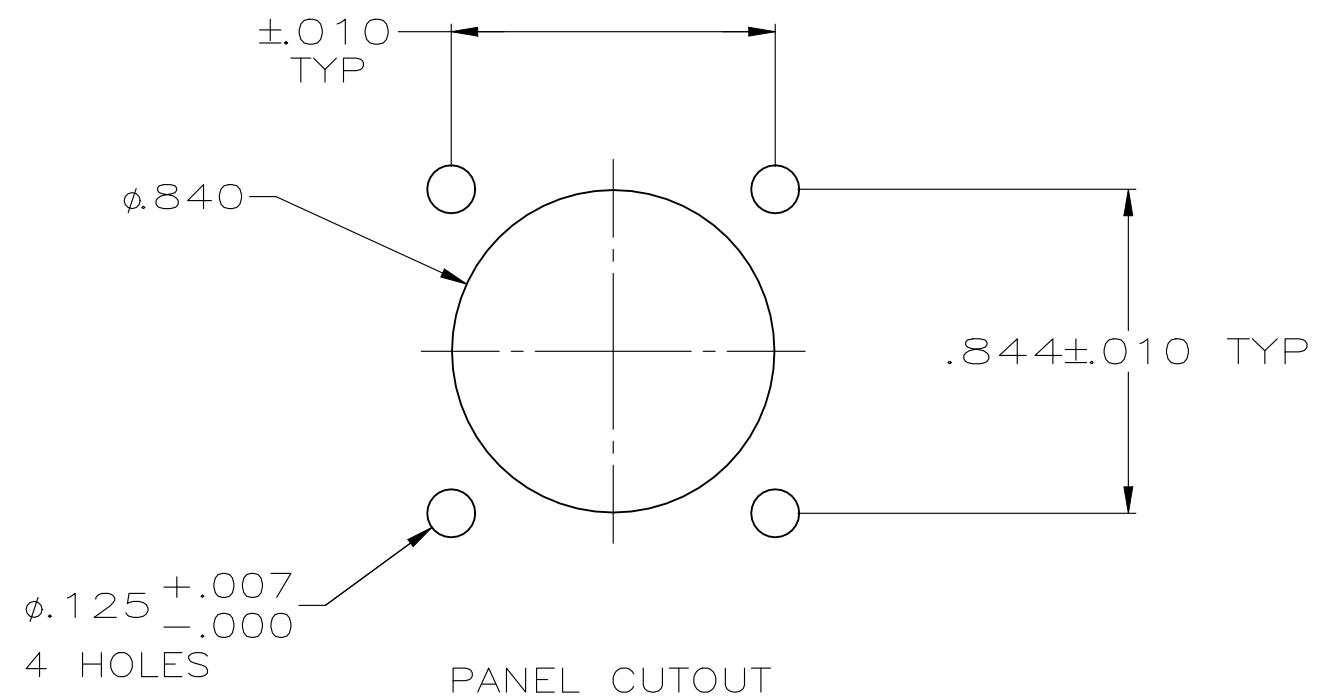
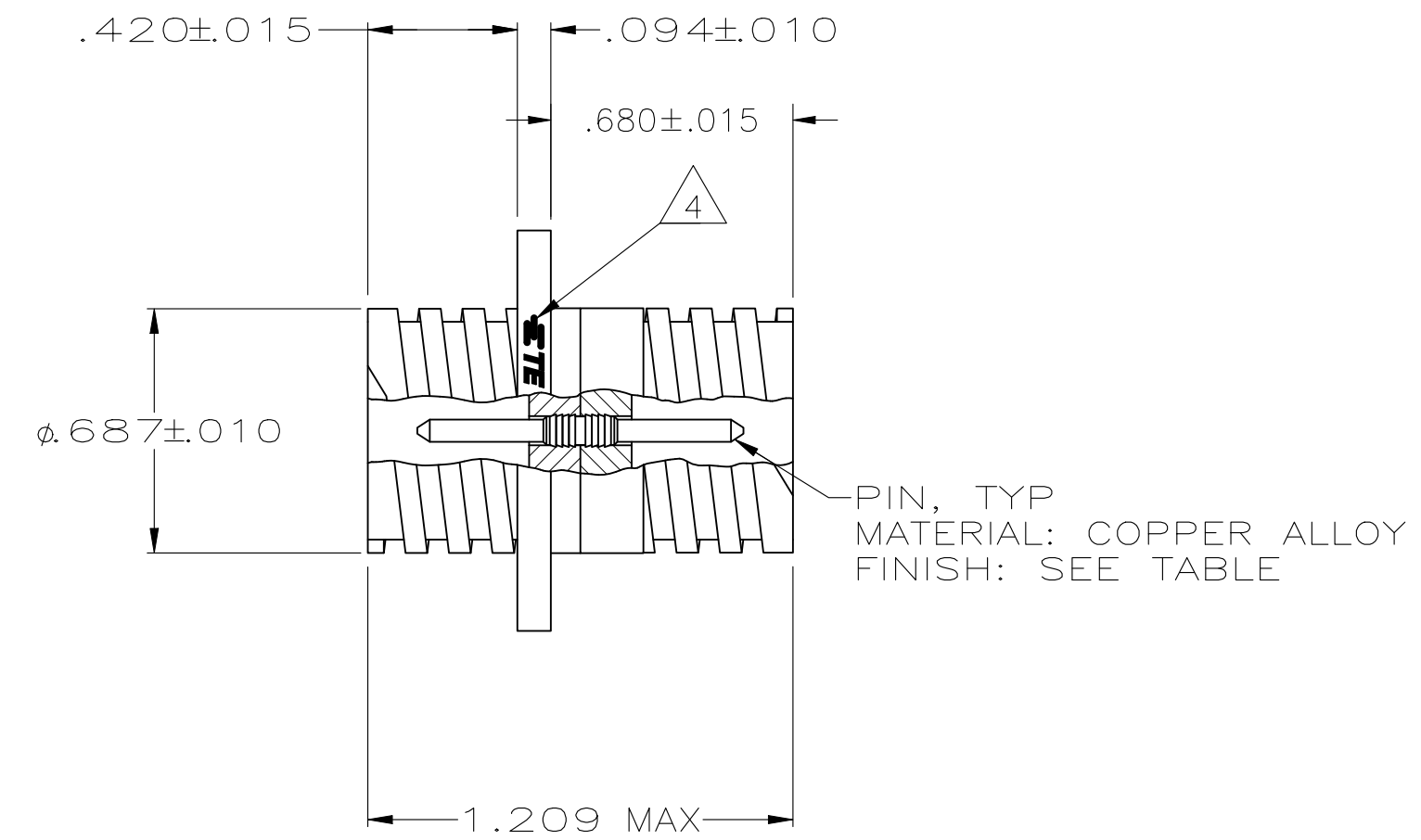
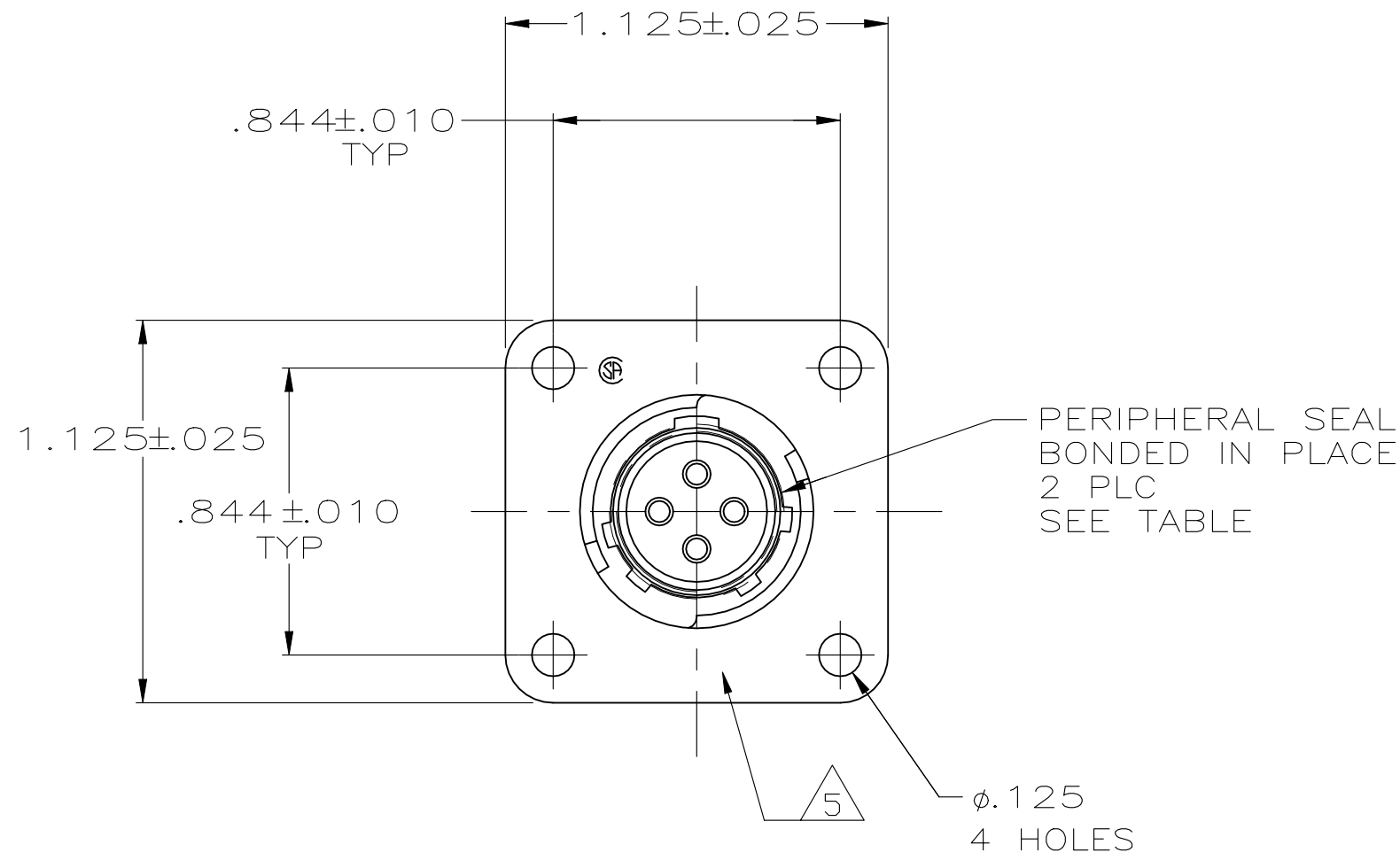


REVISIONS					
P	LTR	DESCRIPTION	DATE	DWN	APVD
G		REVISED PER ECO-21-006948	27OCT2021	RK	MZ



- 1 GOLD PER MIL-G-45204 OVER NICKEL PER QQ-N-290.
- 2 TIN PER MIL-T-10727.
- 3 ACCOMODATES 4 SIZE 16 PIN CONTACTS, PERMANENTLY INSTALLED.
- 4 TE LOGO LOCATED ON ANY FLANGE EDGE
- 5 PART NUMBER LOCATED ANYWHERE ON THIS SURFACE

YES(2)	1	206518-5
NO	1	206518-2
NO	2	206518-1
PERIPHERAL SEAL	CONTACT FINISH	PART NUMBER

THIS DRAWING IS A CONTROLLED DOCUMENT.

DWN: J GALLUCCI BG 5-22-91
CHK: W.G.LENKER 4-13-92
APVD: -

NAME: -

PRODUCT SPEC: 108-10024

APPLICATION SPEC: -

WEIGHT: -

MATERIAL: RCPT: THERMOPLASTIC
COLOR: BLACK

FINISH: SEE TABLE

SCALE: 2:1

SHEET: 1 OF 1

REV: G

TE Connectivity

RECEPTACLE ASSEMBLY, FEED THRU, SERIES 1, 11-4, CPC

SIZE: A2 CAGE CODE: 00779 DRAWING NO: C=206518

单击下面可查看定价，库存，交付和生命周期等信息

[>>TE Connectivity\(泰科\)](#)