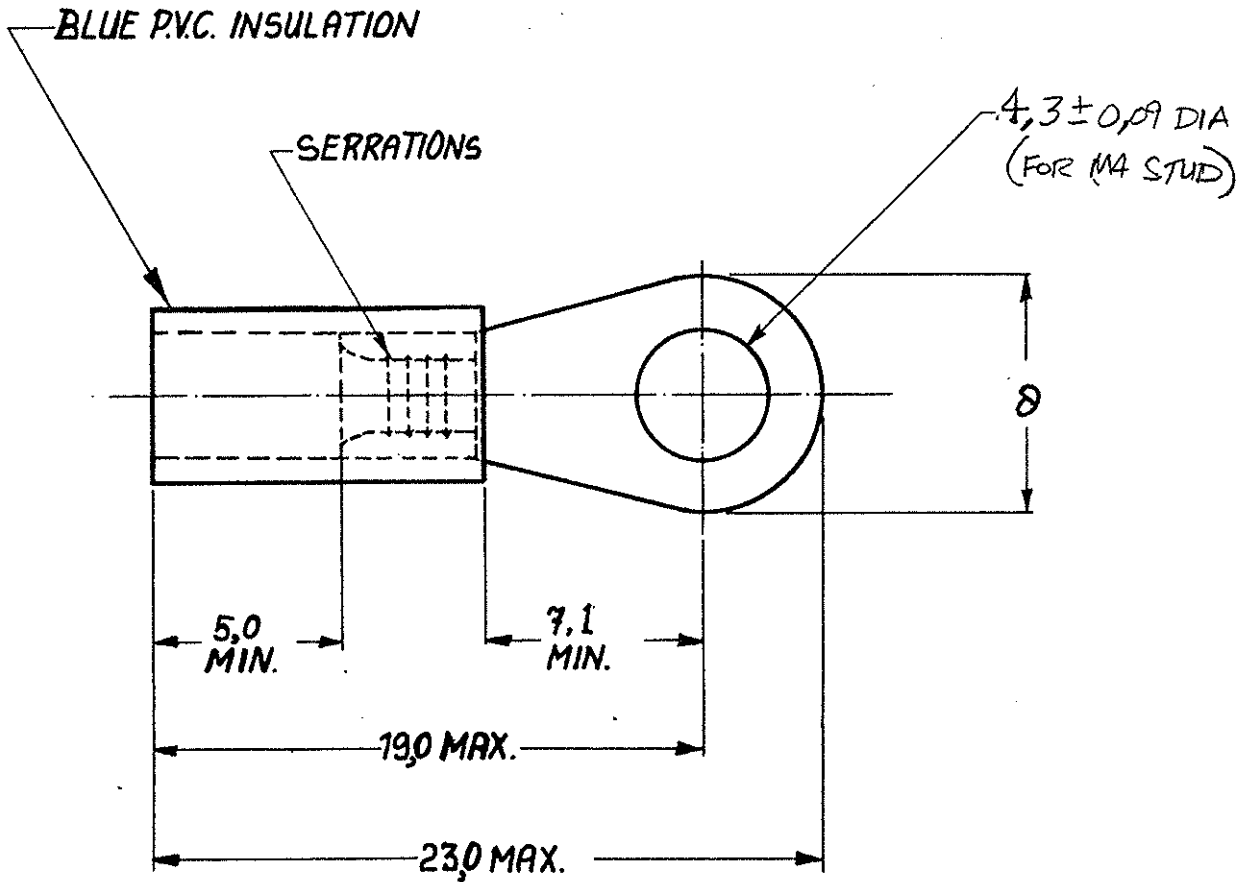


NUMBER C-165408-E



TONGUE MATERIAL THICKNESS: 0,8

REV C 30-8-85
DIMENSIONS IN M.M. DO NOT SCALE PRINT

CUSTOMER COPY FOR REFERENCE ONLY

©1970 BY AMP-HOLLAND N.V. ALL RIGHTS RESERVED A-MP PRODUCTS COVERED BY PATENTS AND/OR PATENTS PENDING.



AMP-HOLLAND N.V.
's-HERTOGENBOSCH
HOLLAND

2-165408-1	165408 TAPE MOUNTED		
165408	COPPER	TIN	
ORDER NO.	MATERIAL	PLATING	
DR. <i>A. G. J. J. J. J.</i> 2/11-70	DATE	DE	DATE
CHK	DATE	APP. <i>[Signature]</i> 1/11-70	DATE

WIRE-RANGE	INSUL.-RANGE	TYPE	DIN
15-2,5 mm ²	3,9 DIA. MAX.	PLASTI-GRIP	
SCALE	LOC	SIZE	NO
4:1	H	A	C-165408-E
NAME			REV
INSULATED RINGTONGUE for stud M4			F1

单击下面可查看定价，库存，交付和生命周期等信息

[>>TE Connectivity\(泰科\)](#)