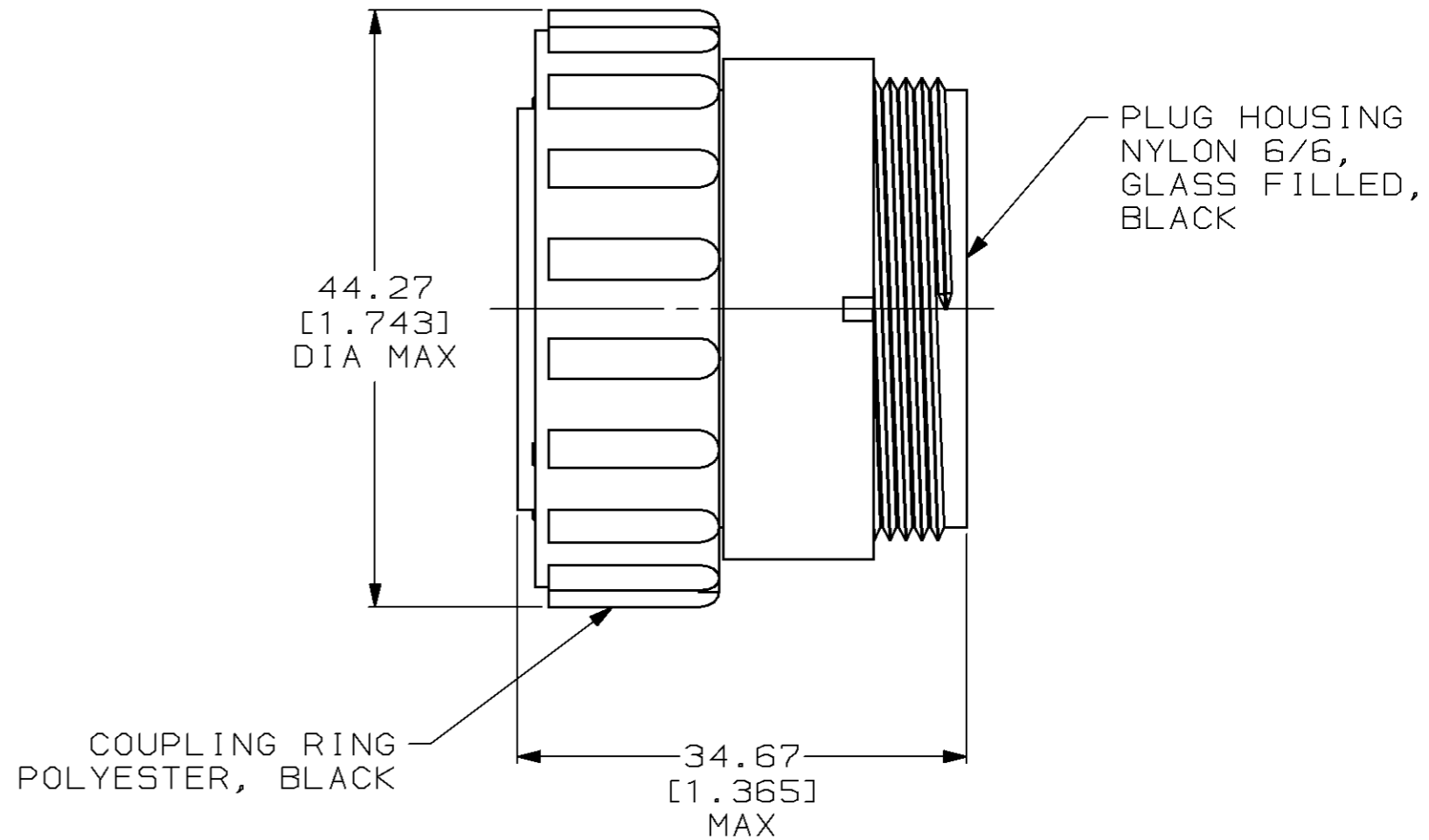
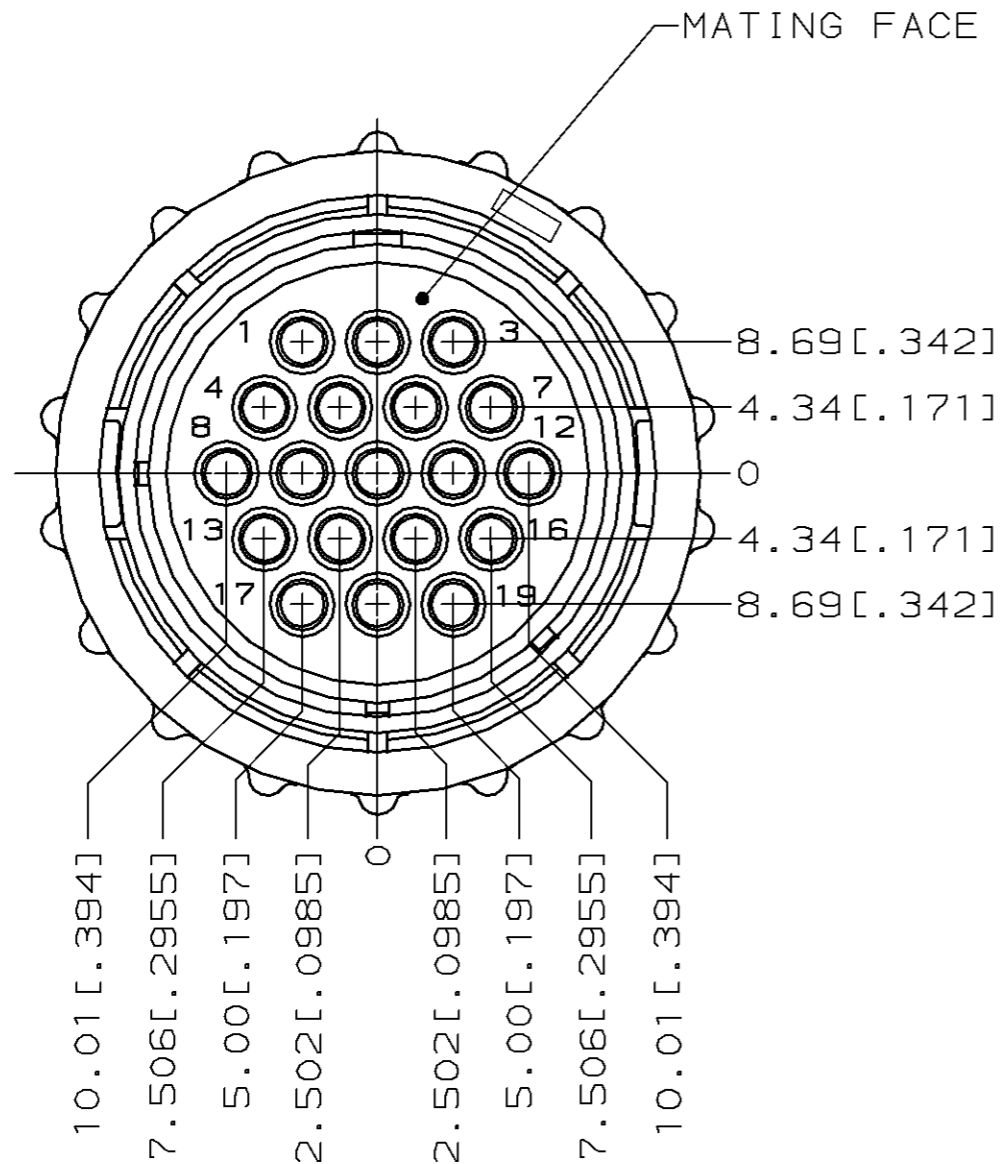


THIS DRAWING IS UNPUBLISHED. RELEASED FOR PUBLICATION, 19 .
 © COPYRIGHT 19 BY AMP INCORPORATED. ALL INTERNATIONAL RIGHTS RESERVED.

LOC	DIST	P	F	REVISIONS				
				ZONE	LTR	DESCRIPTION	DATE	APPD
FT	4				0	RLSE PER NPR 5254 WAS 94-5029-032-01	01/05/95	AF
					A	REV PER EC 0020-68-95	02/08/95	AF
					B	REV PER EC 0320-7-97	16 JAN 97	KD



- CONTACT CAVITIES IDENTIFIED BY CHARACTERS ON FRONT AND REAR FACES OF CONNECTOR.
- THIS CONNECTOR WILL ACCEPT (19) MULTIMATE PIN CONTACTS.

THIS DRAWING IS A CONTROLLED DOCUMENT FOR AMP INCORPORATED. IT IS SUBJECT TO CHANGE AND THE CONTROLLING ENGINEERING ORGANIZATION SHOULD BE CONTACTED FOR THE LATEST REVISION.

DO NOT SCALE PRINT. UNLESS SPECIFIED DIMENSIONS IN mm [INCHES] TOLERANCES ON: 2 PLC DEC ± 0.13 [.005] 3 PLC DEC ± - ANGLES ± -		DR 01/05/95 K.FOLTZ	AMP AMP Incorporated Harrisburg, PA 17105-3608
MATERIAL SEE CALLOUT	CHK 01/09/95 R.STONE	APPD 01/10/95 T.COULSON	
FINISH -	APPD 01/16/95 A.FRANTUM	PRODUCT SPEC -	NAME PLUG ASSEMBLY, REVERSE SEX, SIZE 23, CPC
	APPLICATION SPEC -	WEIGHT -	SIZE B CAGE CODE 00779 DRAWING NO C-213852
			SCALE 2:1 SHEET 1 OF 1

213852-1
PART NO

单击下面可查看定价，库存，交付和生命周期等信息

[>>TE Connectivity\(泰科\)](#)