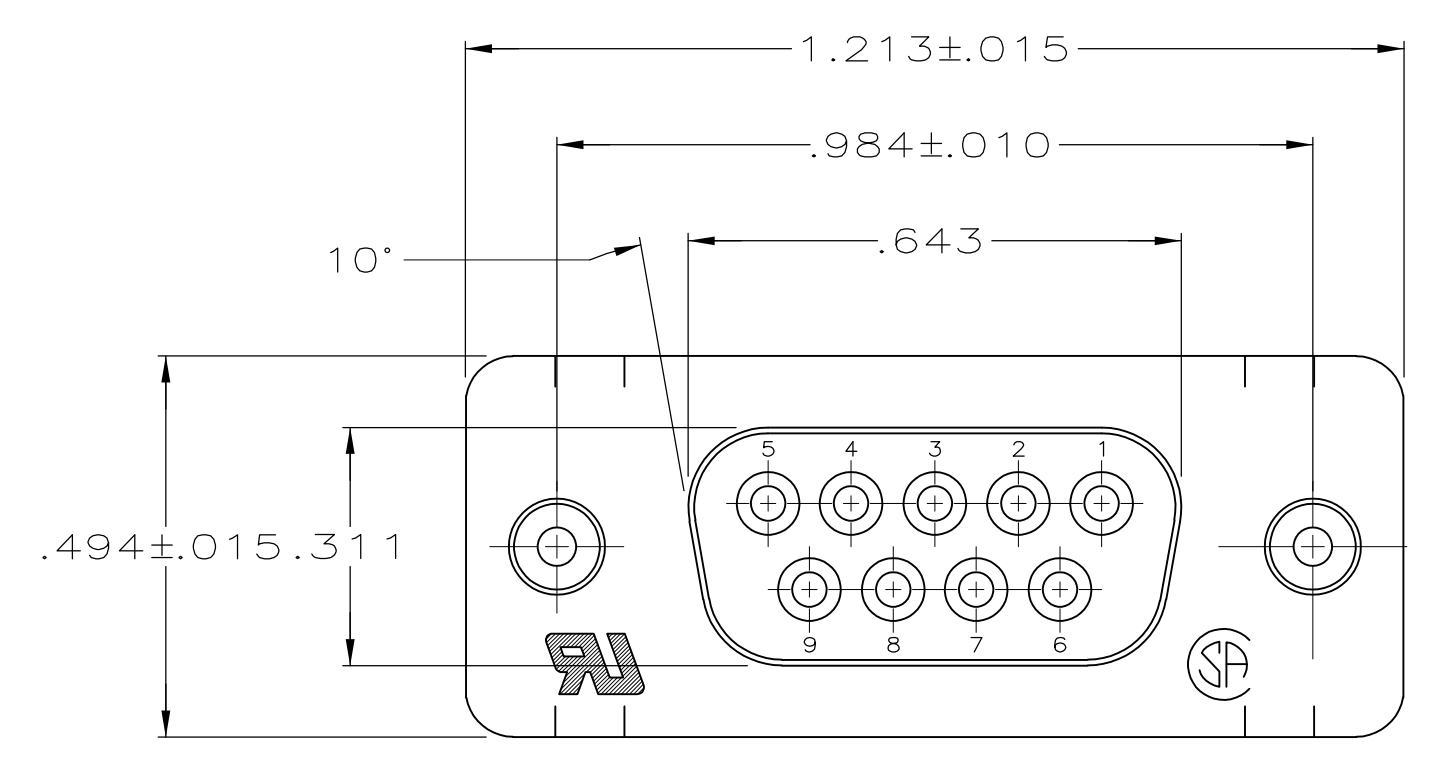
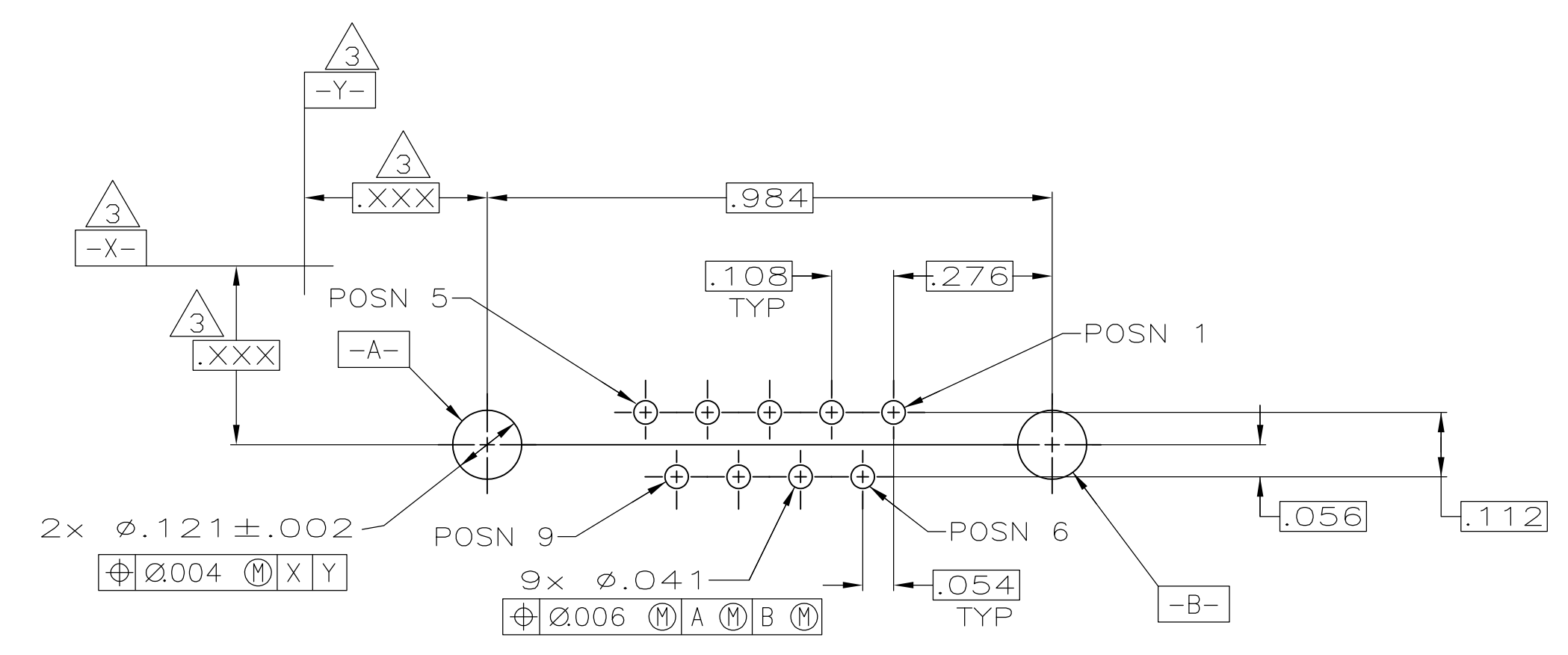
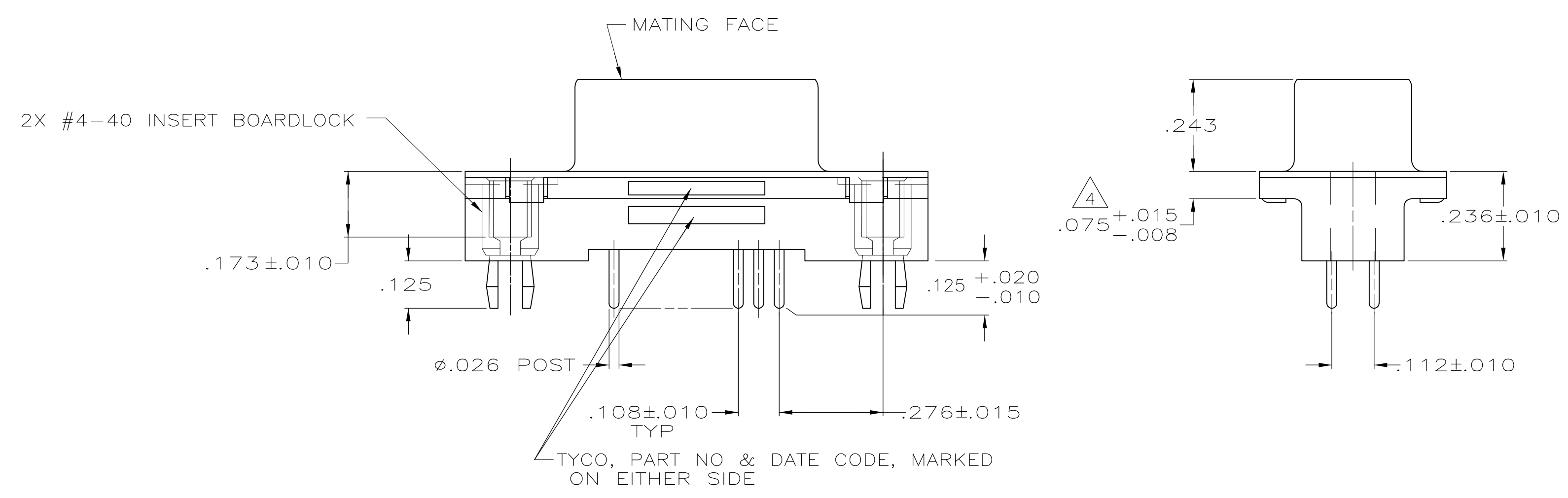


REVISIONS					
P	LTR	DESCRIPTION	DATE	DMN	APVD
B		REVISED PER ECO-16-001548	24FEB2016	AP	DG



- 1 HOUSING: FLAME RETARDANT, 94V-0 RATED, THERMOPLASTIC; COLOR: BLACK.
SHELL: CARBON STEEL.
CONTACTS: PHOS BRONZE.
INSERT BOARDLOCKS: BRASS.
- 2 SHELL: .000200 MIN TIN OVER .000100 MIN COPPER.
CONTACTS: .000030 MIN GOLD FOR LENGTH OF .100 MIN FROM MATING END, .000100 MIN TIN ON TERMINATION END, ALL OVER .000050 MIN NICKEL ON ENTIRE CONTACT.
INSERT BOARDLOCKS: .000150 MIN TIN OVER .000100 MIN COPPER.
- 3 DATUMS AND BASIC DIMENSIONS ESTABLISHED BY CUSTOMER.
- 4 .110 MAX IN SHELL TAB CLINCH AREAS.



PC BOARD MOUNTING DIMENSIONS
CONNECTOR SIDE OF BOARD
.062 PC BOARD THICKNESS

COPYRIGHT 2005
TE CONNECTIVITY CORP
ALL RIGHTS RESERVED

2-5747706-0
PART NO

THIS DRAWING IS A CONTROLLED DOCUMENT.		DIN B. LATTUCA	28SEPT05	 TE Connectivity
DIMENSIONS: INCHES		CHK S. BOLASH	28SEPT05	
TOLERANCES UNLESS OTHERWISE SPECIFIED:		APPD M. WALMSLEY	28SEPT05	NAME
0 PLC	± -	PRODUCT SPEC		RECTANGLE ASSEMBLY, SIZE 1, 9 POS.,
1 PLC	± -	APPLICATION SPEC		VERTICAL, .026 DIA. POSTS, FRONT METAL SHELL,
2 PLC	± -	108-40025		RETENTION INSERTS, AMPLIMITE HD-20
3 PLC	± .005	114-40023		SIZE
4 PLC	± -	A1		WEIGHT
ANGLES	± -	00779		SCALE
MATERIAL	FINISH	CUSTOMER DRAWING		RESTRICTED TO
1	2	5747706		1 OF 1
		4:1		REV

单击下面可查看定价，库存，交付和生命周期等信息

[>>TE Connectivity\(泰科\)](#)

[>>点击查看相关商品](#)