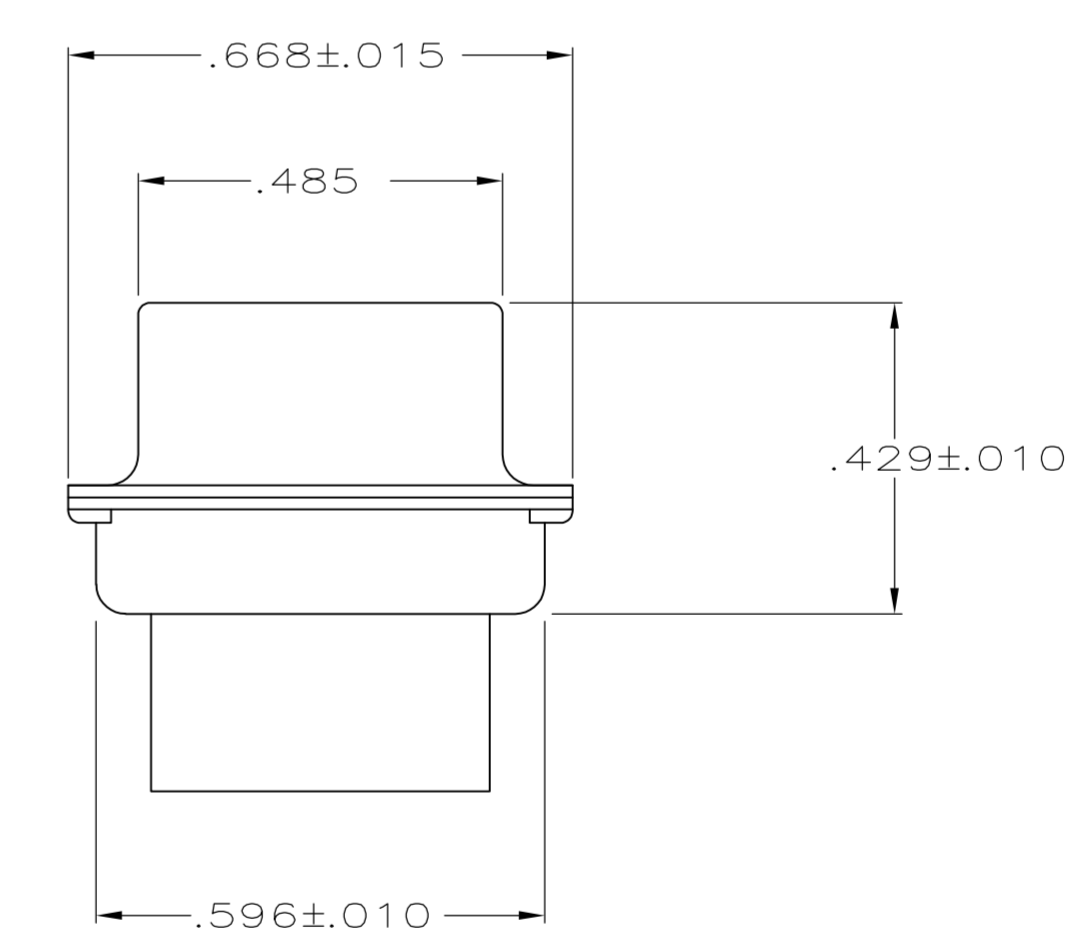
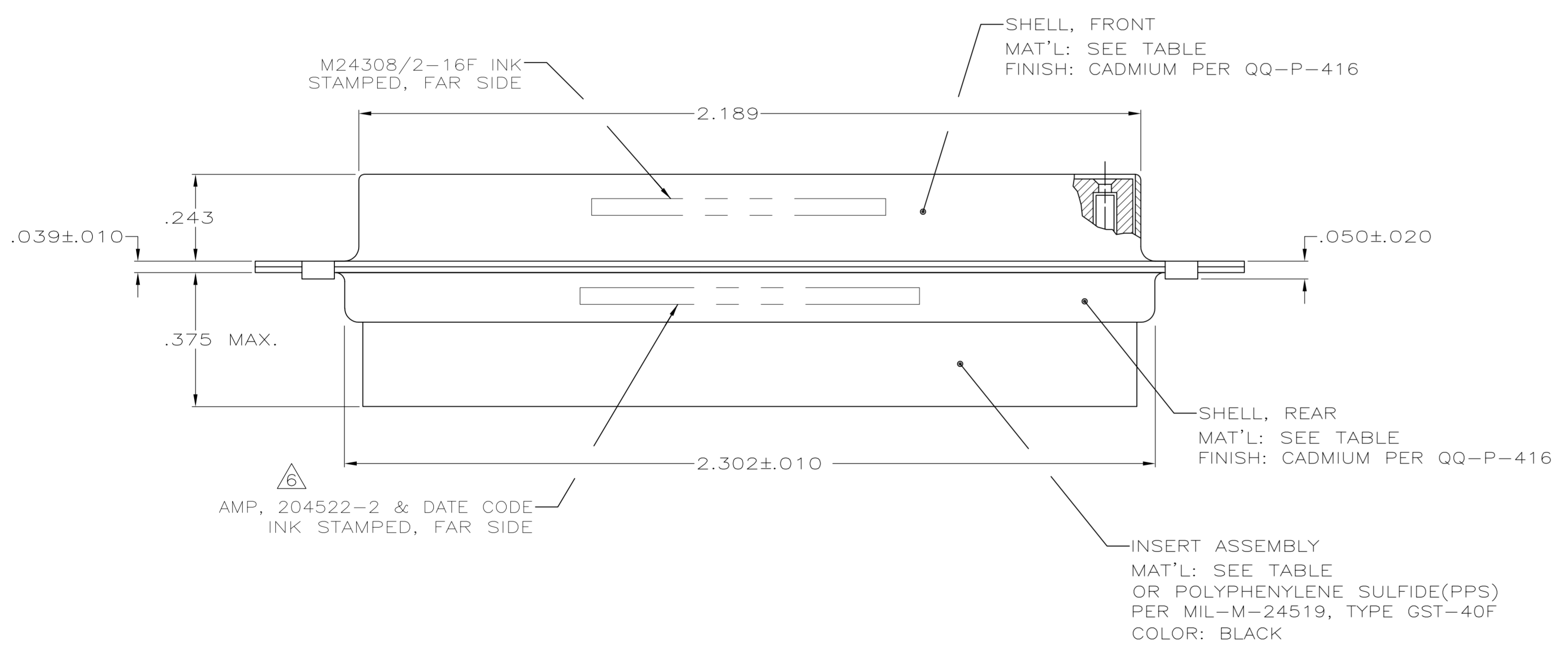
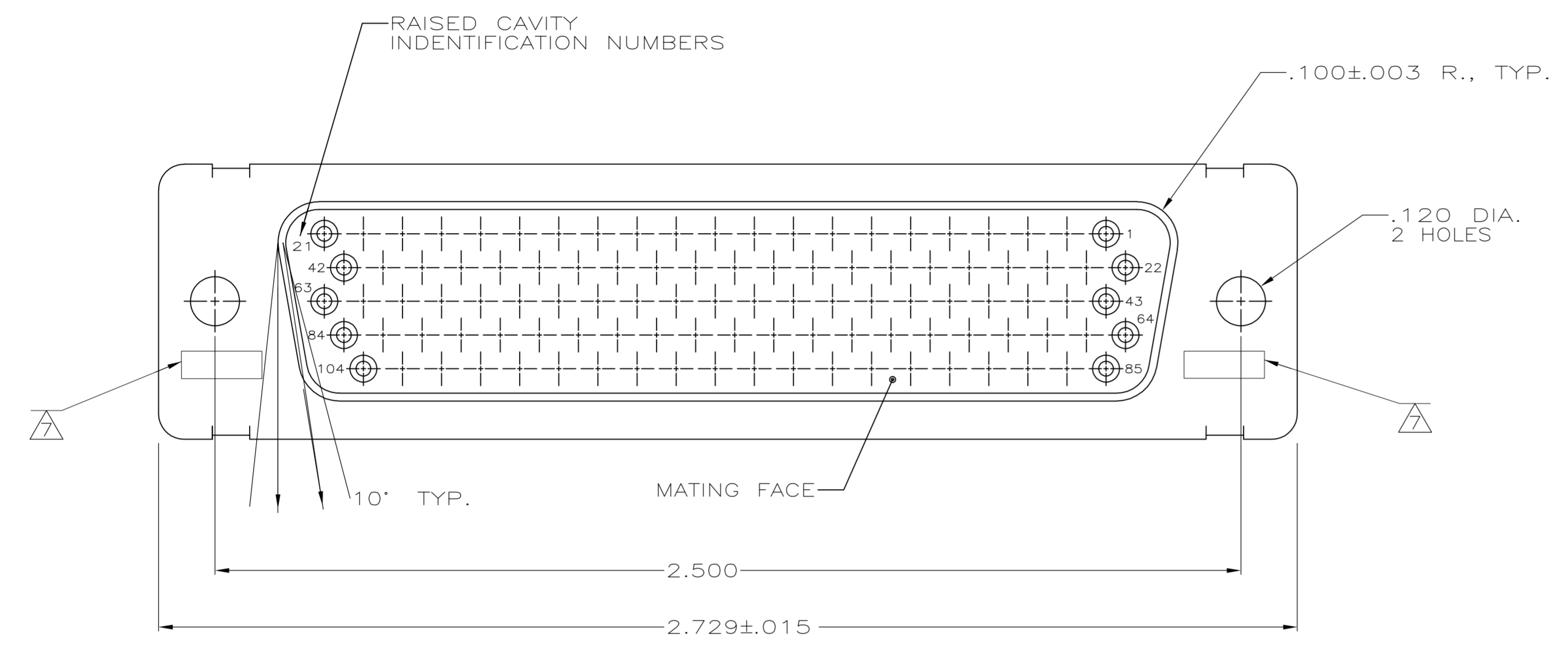


LOC		DIST		REVISIONS			
P	LTR	DESCRIPTION	DATE	OWN	APPD		
R		REV PER ECO-15-016062	09NOV15	KG	CD		



1. THIS RCPT. IS DESIGNED TO CONFORM TO THE LATEST ISSUE OF MIL-C-24308
 2. MAX WIRE INSUL TO BE USED WITH THIS RCPT IS .054 DIA
 3. METAL RETENTION CLIPS ARE INCLUDED IN INSERTS
 4. PACKAGE STAMPED M 24308/2-291F
 5. THIS RCPT. WILL ACCEPT SIZE 22 SOCKET CONTACT M 39029/57-354 OR ANY AMP HDD-22 SOCKET CONTACT
- AMP PART NO. STAMPED ON CONNECTOR REPRESENTS KIT NUMBER WITH CONTACTS
 UL/CSA DESIGNATION STAMPED IN THIS AREA, OPTIONAL

SUPSD BY 204510-1	STEEL, CLASS G	PHENOLIC COLOR: BLACK	204510-3
SUPSD BY 206065-4	BRASS	DIALYL PATHALATE COLOR: BLUE	204510-2
	STEEL, CLASS G	DIALYL PATHALATE COLOR: BLUE	204510-1
	SHELL MAT'L	INSERT MAT'L	

THIS DRAWING IS A CONTROLLED DOCUMENT.

DIMENSIONS: INCHES	TOLERANCES UNLESS OTHERWISE SPECIFIED:	DWN: C.C.THOMAS 12-2-87	CHK: F.C.BALLEW III 1-25-88	APVD: D.J.M. 1-26-88	NAME: AMPLIMITE RCPT. FOR SOCKET CONTACTS HI-DENSITY 'D' CONNECTOR SIZE 6 (104 POSN) SERIES 90
0 PLC ± -	1 PLC ± -	2 PLC ± -	3 PLC ± .005	4 PLC ± -	ANGLES ± -
MATERIAL: SEE TABLE	FINISH: SEE CALLOUTS	WEIGHT: -	SIZE: A1	CAGE CODE: 00779	DRAWING NO: 204510
CUSTOMER DRAWING			SCALE: 4:1	SHEET: 1 OF 1	REV: R

STE TE Connectivity

单击下面可查看定价，库存，交付和生命周期等信息

[>>TE Connectivity\(泰科\)](#)