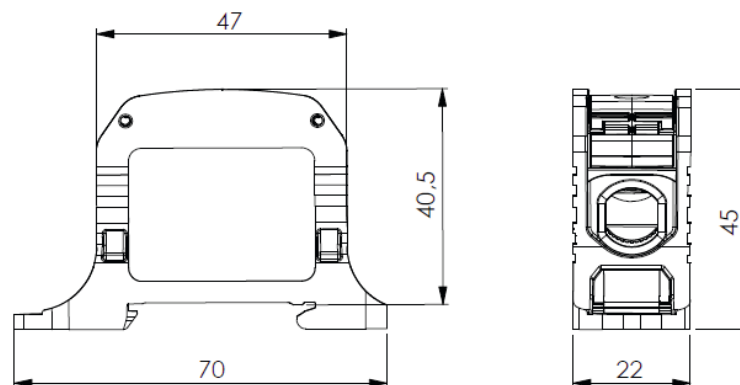


<b>Technical data</b>		
Description:	Compact Power Block CBS50-2P	
Construction:	Fingersafe IP 20 with Accessory	
Item no. :	1SNF516011R0000; 1SNF516021R0000; 1SNF516031R0000	16.03.2022





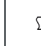

Remarks:	The product is compliant with the EC ROHS directives																																																
Standards:	IEC 60947-7-1, IEC 61238-1	UL 1059, CSA-C22.2 No. 158																																															
Nominal Voltage:	1.000 V AC / 1.000 V DC	1.000 V AC																																															
Nominal current:	Cu 150 A, Al 150 A	Cu 150 A, Al 120 A																																															
Rated cross-section:	50 mm <sup>2</sup>	AWG 1/0																																															
Impulse withstand voltage:	8 kV																																																
Pollution degree:	3																																																
Surge voltage category:	III																																																
CTI value:	550	550																																															
Terminal cross section:	<table border="1"> <thead> <tr> <th rowspan="3">no. of connections: 2 x 50 mm<sup>2</sup> (all conductor types)</th> <th colspan="2">IEC 60947-7-1</th> <th>IEC 61238-1</th> </tr> <tr> <th colspan="2">Cu</th> <th>Al</th> </tr> <tr> <th></th> <th></th> <th></th> </tr> </thead> <tbody> <tr> <td>50 mm<sup>2</sup></td> <td>-</td> <td>-</td> <td>14 Nm</td> </tr> <tr> <td>35 mm<sup>2</sup></td> <td>10 Nm</td> <td>10 Nm</td> <td>14 Nm</td> </tr> <tr> <td>25 mm<sup>2</sup></td> <td>-</td> <td>8 Nm</td> <td>12 Nm</td> </tr> <tr> <td>16 mm<sup>2</sup></td> <td>8 Nm</td> <td>8 Nm</td> <td>10 Nm</td> </tr> <tr> <td>10 mm<sup>2</sup></td> <td>6 Nm</td> <td>6 Nm</td> <td>-</td> </tr> <tr> <td>6 mm<sup>2</sup></td> <td>-</td> <td>6 Nm</td> <td>-</td> </tr> <tr> <td>4 mm<sup>2</sup></td> <td>-</td> <td>-</td> <td>-</td> </tr> <tr> <td>stripping length</td> <td colspan="3">16 mm</td> </tr> <tr> <td>allen screw</td> <td colspan="3">M10 (SW 5 mm)</td> </tr> </tbody> </table>			no. of connections: 2 x 50 mm <sup>2</sup> (all conductor types)	IEC 60947-7-1		IEC 61238-1	Cu		Al				50 mm <sup>2</sup>	-	-	14 Nm	35 mm <sup>2</sup>	10 Nm	10 Nm	14 Nm	25 mm <sup>2</sup>	-	8 Nm	12 Nm	16 mm <sup>2</sup>	8 Nm	8 Nm	10 Nm	10 mm <sup>2</sup>	6 Nm	6 Nm	-	6 mm <sup>2</sup>	-	6 Nm	-	4 mm <sup>2</sup>	-	-	-	stripping length	16 mm			allen screw	M10 (SW 5 mm)		
no. of connections: 2 x 50 mm <sup>2</sup> (all conductor types)	IEC 60947-7-1		IEC 61238-1																																														
	Cu		Al																																														
50 mm <sup>2</sup>	-	-	14 Nm																																														
35 mm <sup>2</sup>	10 Nm	10 Nm	14 Nm																																														
25 mm <sup>2</sup>	-	8 Nm	12 Nm																																														
16 mm <sup>2</sup>	8 Nm	8 Nm	10 Nm																																														
10 mm <sup>2</sup>	6 Nm	6 Nm	-																																														
6 mm <sup>2</sup>	-	6 Nm	-																																														
4 mm <sup>2</sup>	-	-	-																																														
stripping length	16 mm																																																
allen screw	M10 (SW 5 mm)																																																
	<table border="1"> <thead> <tr> <th rowspan="3">no. of connections: 2 x AWG 1/0 (all conductor types)</th> <th colspan="3">UL 1059, CSA-C22.2 No. 158</th> </tr> <tr> <th colspan="2">Cu</th> <th>Al</th> </tr> <tr> <th></th> <th></th> <th></th> </tr> </thead> <tbody> <tr> <td>AWG 1/0</td> <td>-</td> <td>-</td> <td>14 Nm</td> </tr> <tr> <td>AWG 2</td> <td>10 Nm</td> <td>10 Nm</td> <td>14 Nm</td> </tr> <tr> <td>AWG 4</td> <td>-</td> <td>8 Nm</td> <td>12 Nm</td> </tr> <tr> <td>AWG 6</td> <td>8 Nm</td> <td>8 Nm</td> <td>10 Nm</td> </tr> <tr> <td>AWG 8</td> <td>6 Nm</td> <td>6 Nm</td> <td>-</td> </tr> <tr> <td>AWG 10</td> <td>-</td> <td>6 Nm</td> <td>-</td> </tr> <tr> <td>AWG 12</td> <td>-</td> <td>-</td> <td>-</td> </tr> <tr> <td>stripping length</td> <td colspan="3">16 mm</td> </tr> <tr> <td>allen screw</td> <td colspan="3">M10 (SW 5 mm)</td> </tr> </tbody> </table>			no. of connections: 2 x AWG 1/0 (all conductor types)	UL 1059, CSA-C22.2 No. 158			Cu		Al				AWG 1/0	-	-	14 Nm	AWG 2	10 Nm	10 Nm	14 Nm	AWG 4	-	8 Nm	12 Nm	AWG 6	8 Nm	8 Nm	10 Nm	AWG 8	6 Nm	6 Nm	-	AWG 10	-	6 Nm	-	AWG 12	-	-	-	stripping length	16 mm			allen screw	M10 (SW 5 mm)		
no. of connections: 2 x AWG 1/0 (all conductor types)	UL 1059, CSA-C22.2 No. 158																																																
	Cu		Al																																														
AWG 1/0	-	-	14 Nm																																														
AWG 2	10 Nm	10 Nm	14 Nm																																														
AWG 4	-	8 Nm	12 Nm																																														
AWG 6	8 Nm	8 Nm	10 Nm																																														
AWG 8	6 Nm	6 Nm	-																																														
AWG 10	-	6 Nm	-																																														
AWG 12	-	-	-																																														
stripping length	16 mm																																																
allen screw	M10 (SW 5 mm)																																																
Materials:	Terminal body: Aluminium	tin plated																																															
	Housing: PA 6 (Halogen-free)																																																
	Screws: Steel	zinc plated																																															
Flame resistance:	Self-extinguishing																																																
Mechanical data:	Dimensions:	width x height x depth (mm):	22 x 45 x 70																																														



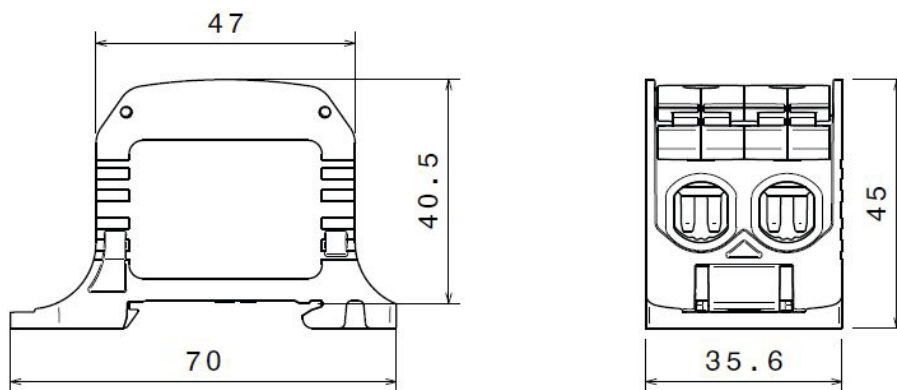
Design				
Basic housing colour – light grey RAL 7035				
Part no.	Design	Cover colour	PU	GTIN (EAN)
1SNF516011R0000	GRAY	light grey RAL 7035	9 / 72	3472599057685
1SNF516021R0000	BLUE	light blue RAL 5012	9 / 72	3472599057692
1SNF516031R0000	GREEN	yellow-green RAL 6018	9 / 72	3472599057708

<b>Technical data</b>		
Description:	Compact Power Block CBS50-4P	
Construction:	Fingersafe IP 20 with Accessory	
Item no. :	1SNF516111R0000; 1SNF516121R0000; 1SNF516131R0000	16.03.2022

Remarks:	The product is compliant with the EC ROHS directives	
Standards:	IEC 60947-7-1, IEC 61238-1	UL 1059, CSA-C22.2 No. 158
Nominal Voltage:	1.000 V AC / 1.000 V DC	1.000 V AC
Nominal current:	Cu 150 A, Al 150 A	Cu 150 A, Al 120 A
Rated cross-section:	50 mm <sup>2</sup>	AWG 1/0
Impulse withstand voltage:	8 kV	
Pollution degree:	3	
Surge voltage category:	III	
CTI value:	550	550

Terminal cross section:	no. of connections: 4 x 50 mm <sup>2</sup> (all conductor types)			no. of connections: 4 x AWG 1/0 (all conductor types)		
	IEC 60947-7-1		IEC 61238-1	UL 1059, CSA-C22.2 No. 158		
	Cu		Al	Cu		Al
50 mm <sup>2</sup>						
35 mm <sup>2</sup>	10 Nm	10 Nm	14 Nm	10 Nm	10 Nm	14 Nm
25 mm <sup>2</sup>	8 Nm	8 Nm	12 Nm	8 Nm	8 Nm	12 Nm
16 mm <sup>2</sup>	6 Nm	6 Nm	-	6 Nm	6 Nm	-
10 mm <sup>2</sup>	-	-	-	-	-	-
6 mm <sup>2</sup>	-	-	-	-	-	-
4 mm <sup>2</sup>	-	-	-	-	-	-
stripping length	16 mm			16 mm		
allen screw	M10 (SW 5 mm)			M10 (SW 5 mm)		

Materials:	Terminal body: Aluminium	tin plated
	Housing: PA 6 (Halogen-free)	
	Screws: Steel	zinc plated
Flame resistance:	Self-extinguishing	
Mechanical data:	Dimensions: width x height x depth (mm):	35,6 x 45 x 70



Design				
Basic housing colour – light grey RAL 7035				
Part no.	Design	Cover colour	PU	GTIN (EAN)
1SNF516111R0000	GRAY	light grey RAL 7035	5/40	3472599057715
1SNF516121R0000	BLUE	light blue RAL 5012	5/40	3472599057722
1SNF516131R0000	GREEN	yellow-green RAL 6018	5/40	3472599057739

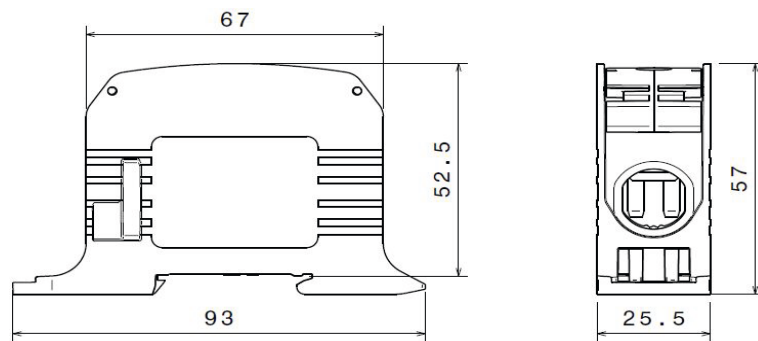
<b>Technical data</b>		
Description:	Compact Power Block CBS95-2P	
Construction:	Fingersafe IP 20 with Accessory	
Item no. :	1SNF526011R0000; 1SNF526021R0000; 1SNF526031R0000	16.03.2022

Remarks:	The product is compliant with the EC ROHS directives	
Standards:	IEC 60947-7-1, IEC 61238-1	UL 1059, CSA-C22.2 No. 158
Nominal Voltage:	1.000 V AC / 1.000 V DC	1.000 V AC
Nominal current:	Cu 232 A, Al 200 A	Cu 200 A, Al 155 A
Rated cross-section:	95 mm <sup>2</sup>	AWG 3/0
Impulse withstand voltage:	8 kV	
Pollution degree:	3	
Surge voltage category:	III	
CTI value:	550	550

Terminal cross section:	no. of connections: 2 x 95 mm <sup>2</sup> (all conductor types)			no. of connections: 2 x AWG 3/0 (all conductor types)			
		IEC 60947-7-1		IEC 61238-1		UL 1059, CSA-C22.2 No. 158	
		Cu	Al	Cu	Al		
	95 mm <sup>2</sup>	-	-	-	-	-	-
	70 mm <sup>2</sup>	19 Nm	19 Nm	22,6 Nm			
	50 mm <sup>2</sup>						
	35 mm <sup>2</sup>	14 Nm	14 Nm				
	25 mm <sup>2</sup>						
	16 mm <sup>2</sup>						
	10 mm <sup>2</sup>	-	-	-	-	-	-
	stripping length	26 mm					
	allen screw	M14 (SW 6 mm)					

Measurement connection:	no. of connections: 1 x 10 mm <sup>2</sup> (all conductor types)			no. of connections: 1 x AWG 8 (all conductor types)			
	10 mm <sup>2</sup>	-	-	-	-	-	
	6 mm <sup>2</sup>	1,2 Nm	1,2 Nm	2,3 Nm	2,3 Nm	-	
	4 mm <sup>2</sup>						
	2,5 mm <sup>2</sup>						
	1,5 mm <sup>2</sup>	-	-	-	-	-	
	stripping length	10 mm					
	screw	M4 (+/- PZ2)					

Materials:	Terminal body:	Aluminium	tin plated
	Housing:	PA 6 (Halogen-free)	
	Screws:	Steel	zinc plated
Flame resistance:	Self-extinguishing		
Mechanical data:	Dimensions:	width x height x depth (mm): 25,5 x 57 x 93	



Design				
Basic housing colour – light grey RAL 7035				
Part no.	Design	Cover colour	PU	GTIN (EAN)
1SNF526011R0000	GRAY	light grey RAL 7035	2 / 36	3472599057746
1SNF526021R0000	BLUE	light blue RAL 5012	2 / 36	3472599057753
1SNF526031R0000	GREEN	yellow-green RAL 6018	2 / 36	3472599057821

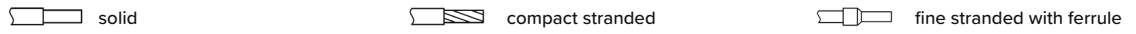
<b>Technical data</b>		
Description:	Compact Power Block CBS95-4P	
Construction:	Fingersafe IP 20 with Accessory	
Item no. :	1SNF526111R0000; 1SNF526121R0000; 1SNF526131R0000	16.03.2022

Remarks:	The product is compliant with the EC ROHS directives	
Standards:	IEC 60947-7-1, IEC 61238-1	UL 1059, CSA-C22.2 No. 158
Nominal Voltage:	1.000 V AC / 1.000 V DC	1.000 V AC
Nominal current:	Cu 232 A	Cu 200 A, Al 155 A
Rated cross-section:	95 mm <sup>2</sup>	AWG 3/0
Impulse withstand voltage:	8 kV	
Pollution degree:	3	
Surge voltage category:	III	
CTI value:	550	550



Terminal cross section:	no. of connections: 4 x 95 mm <sup>2</sup> (all conductor types)			no. of connections: 4 x AWG 3/0 (all conductor types)		
	IEC 60947-7-1		IEC 61238-1	UL 1059, CSA-C22.2 No. 158		
	Cu		Al	Cu		Al
	95 mm <sup>2</sup>	-	-	AWG 3/0	-	-
	70 mm <sup>2</sup>	19 Nm	19 Nm	AWG 2/0	-	-
	50 mm <sup>2</sup>	-	19 Nm	AWG 1/0	22,6 Nm	22,6 Nm
	35 mm <sup>2</sup>	-	-	AWG 2	22,6 Nm	22,6 Nm
	25 mm <sup>2</sup>	14 Nm	14 Nm	AWG 4	-	-
	16 mm <sup>2</sup>	-	14 Nm	AWG 6	-	-
	10 mm <sup>2</sup>	-	-	AWG 8	-	-
	stripping length	26 mm		stripping length	26 mm	
	allen screw	M14 (SW 6 mm)		allen screw	M14 (SW 6 mm)	

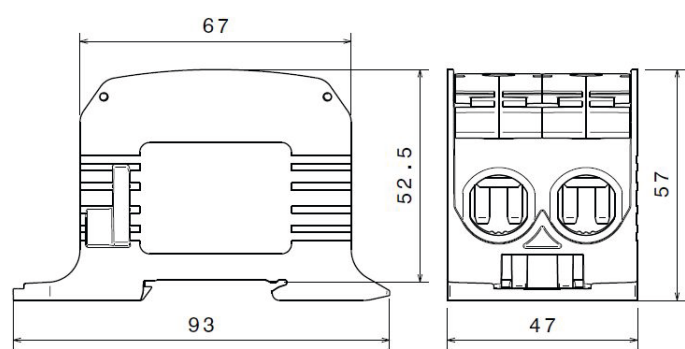
Measurement connection:	no. of connections: 2 x 10 mm <sup>2</sup> (all conductor types)			no. of connections: 2 x AWG 8 (all conductor types)		
	IEC 60947-7-1		IEC 61238-1	UL 1059, CSA-C22.2 No. 158		
	Cu		Al	Cu		Al
	10 mm <sup>2</sup>	-	-	AWG 8	-	-
	6 mm <sup>2</sup>	1,2 Nm	1,2 Nm	AWG 10	2,3 Nm	2,3 Nm
	4 mm <sup>2</sup>	-	-	AWG 12	-	-
	2,5 mm <sup>2</sup>	-	-	AWG 14	-	-
	1,5 mm <sup>2</sup>	-	-	AWG 16	-	-
	stripping length	10 mm		stripping length	10 mm	
	screw	M4 (+/- PZ2)		screw	M4 (+/- PZ2)	



Materials:	Terminal body: Aluminium	tin plated
	Housing: PA 6 (Halogen-free)	
	Screws: Steel	zinc plated

Flame resistance:	Self-extinguishing	
-------------------	--------------------	--



Mechanical data:	Dimensions: width x height x depth (mm):	47 x 57 x 93
------------------	--	--------------







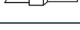
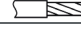
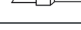



Design				
Basic housing colour – light grey RAL 7035				
Part no.	Design	Cover colour	PU	GTIN (EAN)
1SNF526111R0000	GRAY	light grey RAL 7035	1 / 18	3472599057838
1SNF526121R0000	BLUE	light blue RAL 5012	1 / 18	3472599057845
1SNF526131R0000	GREEN	yellow-green RAL 6018	1 / 18	3472599057852




## Technical data

Description:	Compact Power Block CBS185-2P	
Construction:	Fingersafe IP 20 with Accessory	
Item no. :	1SNF536011R0000; 1SNF536021R0000	16.03.2022

Remarks:	The product is compliant with the EC ROHS directives	
Standards:	IEC 60947-7-1	UL 1059, CSA-C22.2 No. 158
		
Nominal Voltage:	1.000 V AC / 1.000 V DC	1.000 V AC
Nominal current:	Cu 353 A	Cu 310 A, Al 250 A
Rated cross-section:	185 mm <sup>2</sup>	350 kcmil
Impulse withstand voltage:	8 kV	
Pollution degree:	3	
Surge voltage category:	III	
CTI value:	550	550

Terminal cross section:	no. of connections: 2 x 185 mm <sup>2</sup> (all conductor types)			no. of connections: 2 x 350 kcmil (all conductor types)		
	IEC 60947-7-1			UL 1059, CSA-C22.2 No. 158		
	Cu			Cu Al		
						
						
185 mm <sup>2</sup>				350 kcmil		
150 mm <sup>2</sup>				300 kcmil		
120 mm <sup>2</sup>	25 Nm	-		250 kcmil	28,2 Nm	45 Nm
95 mm <sup>2</sup>		25 Nm		AWG 3/0		
70 mm <sup>2</sup>				AWG 2/0	28,2 Nm	
50 mm <sup>2</sup>				AWG 1/0		
35 mm <sup>2</sup>		20 Nm		AWG 2		
25 mm <sup>2</sup>				AWG 4		
stripping length	29 mm			29 mm		
allen screw	M18 (SW 10 mm)			M18 (SW 10 mm)		

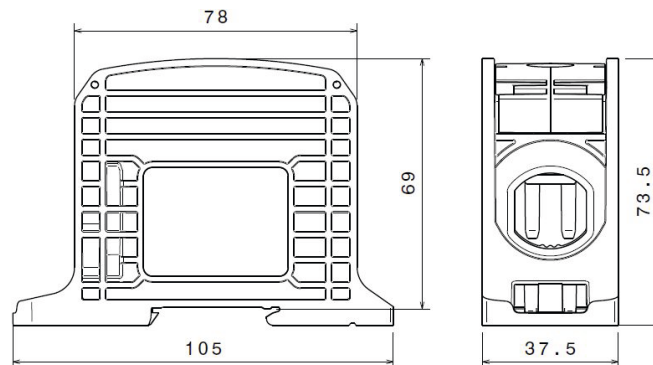
Measurement connection:	no. of connections: 1 x 10 mm <sup>2</sup> (all conductor types)			no. of connections: 1 x AWG 8 (all conductor types)		
	10 mm <sup>2</sup>			AWG 8		
	6 mm <sup>2</sup>			AWG 10		
	4 mm <sup>2</sup>			AWG 12		
	1,2 Nm	-		2,3 Nm		
		1,2 Nm		2,3 Nm		
				-		
				-		
stripping length	10 mm			10 mm		
screw	M4 (+/- PZ2)			M4 (+/- PZ2)		

 solid       compact stranded       fine stranded with ferrule

Materials:	Terminal body: Aluminium	tin plated
	Housing: PA 6 (Halogen-free)	
	Screws: Steel	zinc plated

Flame resistance:	Self-extinguishing
-------------------	--------------------

Mechanical data:	Dimensions: width x height x depth (mm):	37,5 x 73,5 x 105
------------------	--	-------------------



### Design


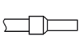
Basic housing colour – light grey RAL 7035



Part no.	Design	Cover colour	PU	GTIN (EAN)
1SNF536011R0000	GRAY	light grey RAL 7035	1 / 12	3472599057869
1SNF536021R0000	BLUE	light blue RAL 5012	1 / 12	3472599057876

## Technical data

Description:	Compact Power Block CBS300-2P	
Construction:	Fingersafe IP 20 with Accessory	
Item no. :	1SNF546011R0000; 1SNF546021R0000	16.03.2022

Remarks:	The product is compliant with the EC ROHS directives	
Standards:	IEC 60947-7-1 <b>CE FI</b>	UL 1059, CSA-C22.2 No. 158 <b>UL US</b>
Nominal Voltage:	1.000 V AC / 1.000 V DC	1.000 V AC
Nominal current:	Cu 520 A	Cu 420 A, Al 340 A
Rated cross-section:	300 mm <sup>2</sup>	600 kcmil
Impulse withstand voltage:	8 kV	
Pollution degree:	3	
Surge voltage category:	III	
CTI value:	550	550
Terminal cross section:		

Terminal cross section:	no. of connections: 2 x 300 mm <sup>2</sup> (all conductor types)		
	<b>IEC 60947-7-1</b>		
		Cu	
			
	300 mm <sup>2</sup>		-
	240 mm <sup>2</sup>	45 Nm	45 Nm
	185 mm <sup>2</sup>		
	150 mm <sup>2</sup>		
	120 mm <sup>2</sup>		-
	95 mm <sup>2</sup>	-	30 Nm
70 mm <sup>2</sup>			
50 mm <sup>2</sup>			
35 mm <sup>2</sup>			
stripping length		34 mm	
allen screw		M24 (SW 12 mm)	

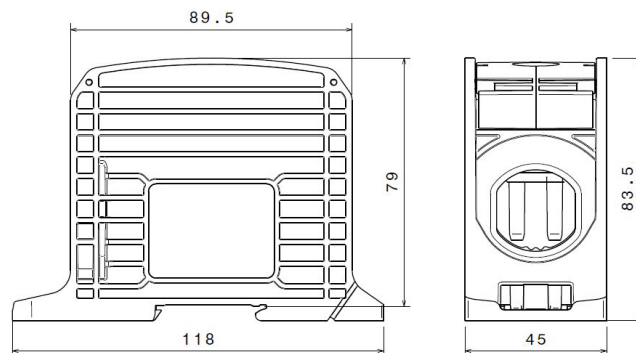
Terminal cross section:	no. of connections: 2 x 600 kcmil (all conductor types)		
	<b>UL 1059, CSA-C22.2 No. 158</b>		
		Cu	
			
	600 kcmil		-
	500 kcmil	33,9 Nm	33,9 Nm
	350 kcmil		
	300 kcmil		
	250 kcmil		-
	AWG 3/0	-	-
AWG 2/0			
AWG 1/0			
AWG 2			
stripping length		34 mm	
allen screw		M24 (SW 12 mm)	

Measurement connection:	no. of connections: 1 x 10 mm <sup>2</sup> (all conductor types)		
	10 mm <sup>2</sup>		-
	6 mm <sup>2</sup>	1,2 Nm	1,2 Nm
	4 mm <sup>2</sup>		
	2,5 mm <sup>2</sup>		-
	1,5 mm <sup>2</sup>		
	stripping length		10 mm
screw		M4 (+/- PZ2)	

Measurement connection:	no. of connections: 1 x AWG 8 (all conductor types)		
	AWG 8		-
	AWG 10	2,3 Nm	2,3 Nm
	AWG 12		
	AWG 14		-
	AWG 16		
	stripping length		10 mm
screw		M4 (+/- PZ2)	

Materials:	 solid	 compact stranded	 fine stranded with ferrule
	Terminal body:	Aluminium	tin plated
	Housing:	PA 6 (Halogen-free)	
Screws:	Steel	zinc plated	

Flame resistance:	Self-extinguishing
Mechanical data:	Dimensions: width x height x depth (mm): 45 x 83,5 x 118



### Design

Basic housing colour – light grey RAL 7035

Part no.	Design	Cover colour	PU	GTIN (EAN)
1SNF546011R0000	GRAY	light grey RAL 7035	1 / 12	3472599057890
1SNF546021R0000	BLUE	light blue RAL 5012	1 / 12	3472599057913

### Connect With Us

We make it easy to connect with our experts and are ready to provide all the support you need.  
Visit [te.com/support](https://te.com/support) to chat with a Product Information Specialist.

---

### te.com

© 2022 TE Connectivity Ltd. family of companies. All Rights Reserved.

ENTRELEC, TE Connectivity, TE connectivity (logo) and Every Connection Counts are trademarks. All other logos, products and/or company names referred to herein might be trademarks of their respective owners.

While TE has made every reasonable effort to ensure the accuracy of the information in this brochure, TE does not guarantee that it is error-free, nor does TE make any other representation, warranty or guarantee that the information is accurate, correct, reliable or current. TE reserves the right to make any changes to the information contained herein without prior notice. TE Connectivity assumes only those obligations set forth in the terms and conditions for this product and shall in no event be liable for any incidental, indirect, or consequential damages arising out of the sale, resale, use, or misapplication of the product. TE expressly disclaims any implied warranties with respect to the information contained herein, including, but not limited to, implied warranties of merchantability or fitness for a particular purpose. Dimensions, specifications and/or information contained herein are for reference purposes only and are subject to change without notice. Consult TE for the latest dimensions, specifications and/or information. Users of TE Connectivity products must make their own assessment as to whether the respective product is suitable for the respective desired application.

INDUSTRIAL / ENTRELEC COMPACT POWER BLOCKS / DATA SHEET / EN

### DATA SHEET

TE Connectivity  
3, rue Jean Perrin  
69687 Chassieu cedex  
France  
Tel: +33 481923100

单击下面可查看定价，库存，交付和生命周期等信息

[>>TE Connectivity\(泰科\)](#)