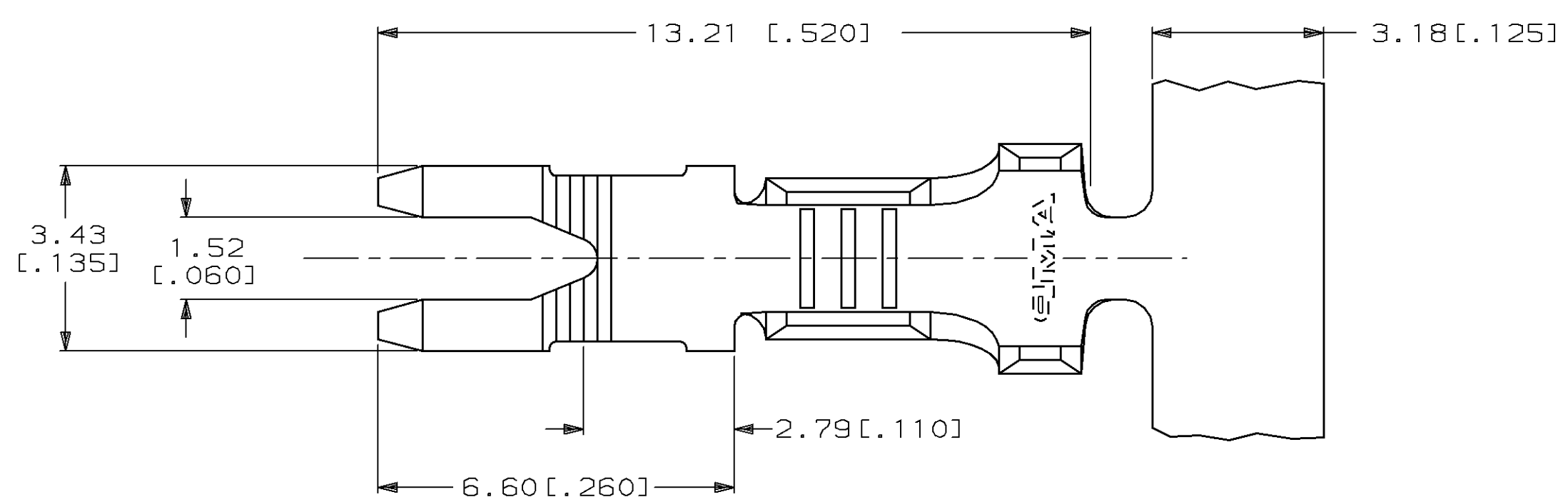
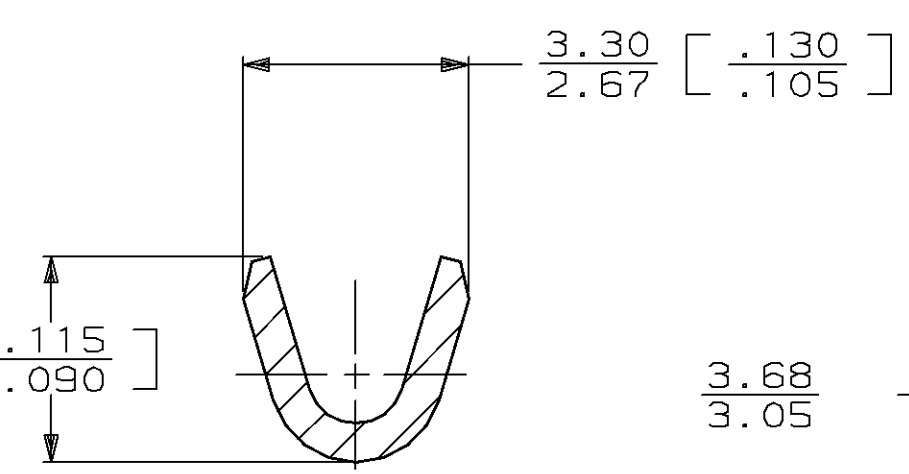
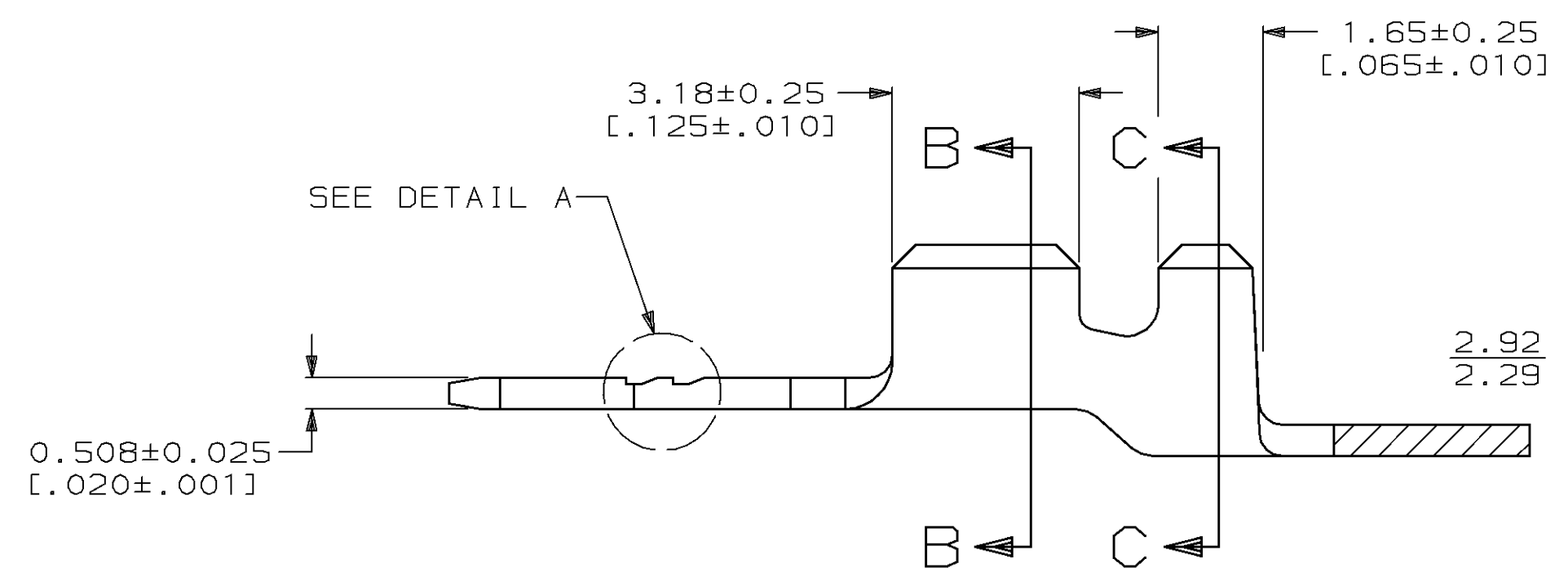


THIS DRAWING IS UNPUBLISHED. RELEASED FOR PUBLICATION  
 © COPYRIGHT 19 BY AMP INCORPORATED. ALL INTERNATIONAL RIGHTS RESERVED.

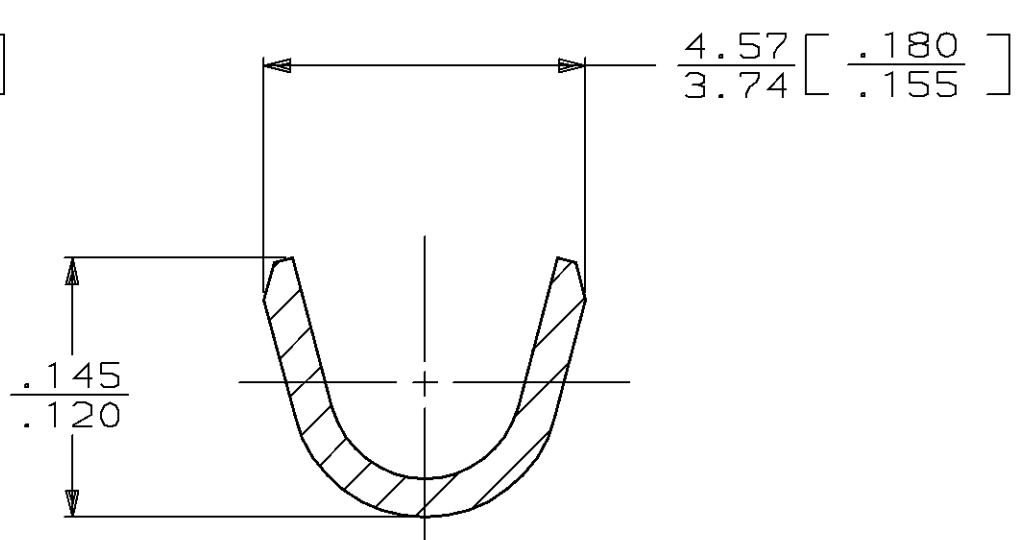
LOC	DIST	P	F	ZONE	LTR	DESCRIPTION	DATE	APPD
AF	50				C	REVISED PER 0204-93	8/4/93	PF/MF



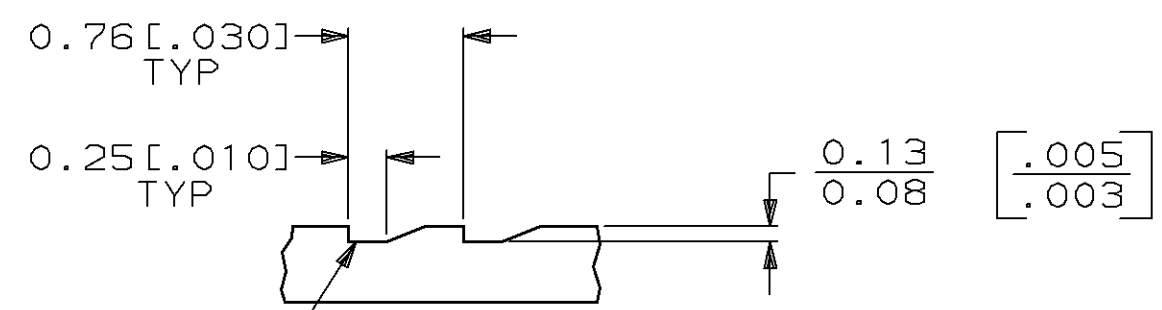
1 CONTINUOUS STRIP ON REELS  
 △ FOR OPTIMUM RETENTION IN POKE-IN TYPE MAG-MATE TERMINALS, ONE OF THE SERRATIONS AS SHOWN MUST BE ENGAGED WITH THE EDGE OF THE LEAF



SECTION B-B

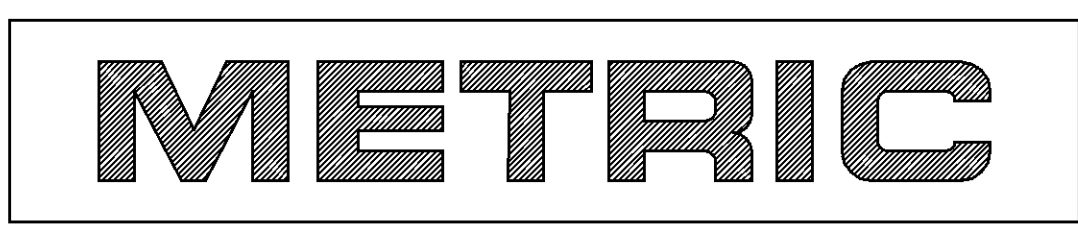


SECTION C-C



DETAIL A  
SCALE 20:1

PROPOSED DESIGN  
NOT RELEASED FOR  
PRODUCTION



	1.52 - 2.54 [.060-.100]	0.3-0.8 mm <sup>2</sup> [22 - 18]	63574-1
	INSULATION RANGE	WIRE RANGE	PART NO
DO NOT SCALE PRINT. UNLESS SPECIFIED DIMENSIONS IN mm [INCHES] TOLERANCES ON : 2 PLC DEC ± - 3 PLC DEC ± 0.38 [.015] ANGLES ± -	DR 2/23/90 M.S. FEHER CHK 2/23/90 JR RUTH	AMP INCORPORATED Harrisburg, Pa. 17105	
MATERIAL #2 HARD BRASS	APPD 2/23/90 DF DECKER PRODUCT SPEC -		
FINISH TIN PER MIL-T-10727 .002032 [.000080] THK	APPLICATION SPEC -	SIZE <b>C</b>	FSCM NO 00779
	WEIGHT -	SCALE 10:1	DRAWING NO 63574
			SHEET 1 OF 1

单击下面可查看定价，库存，交付和生命周期等信息

[>>TE Connectivity\(泰科\)](#)