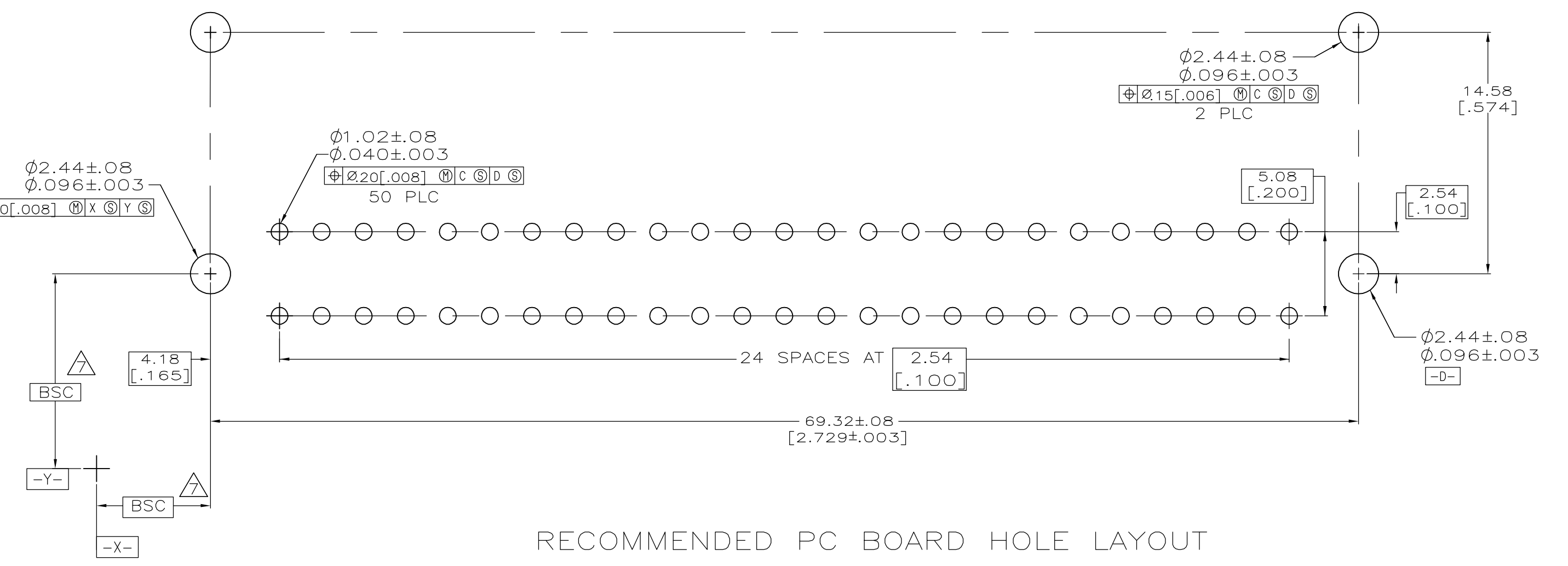
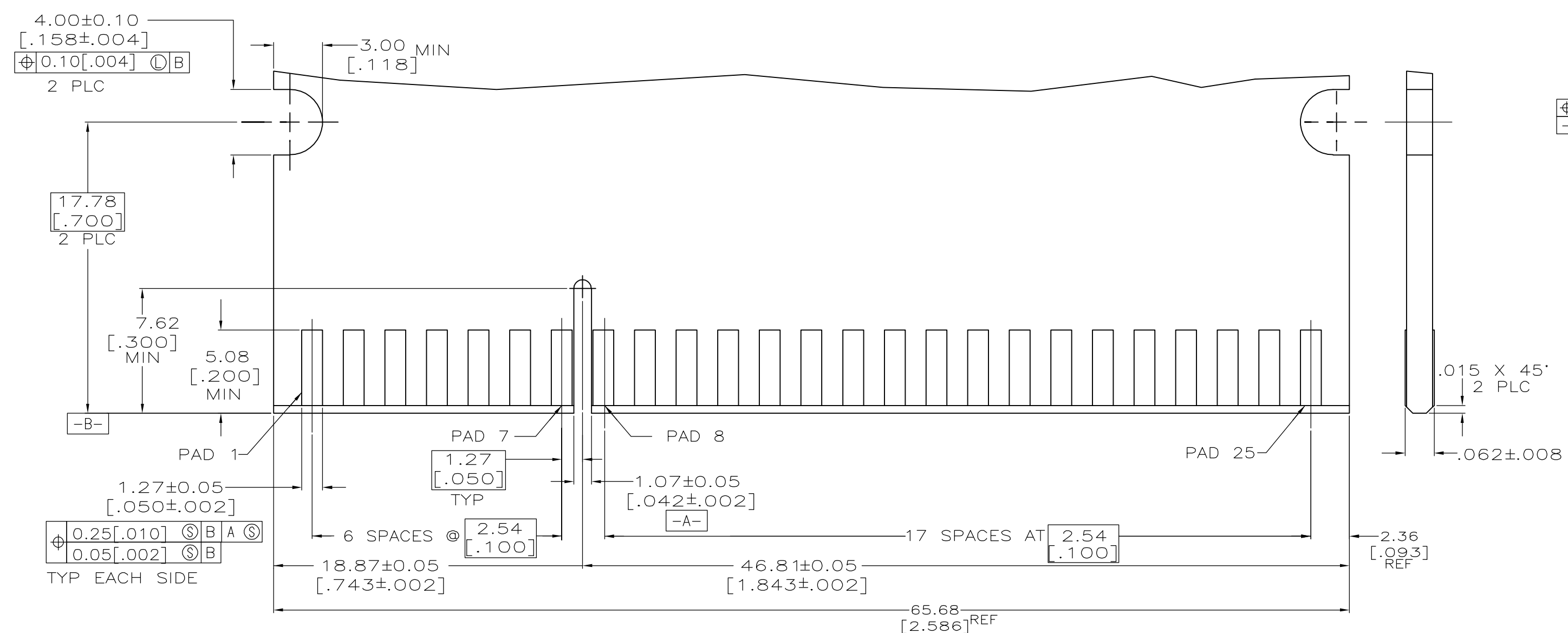
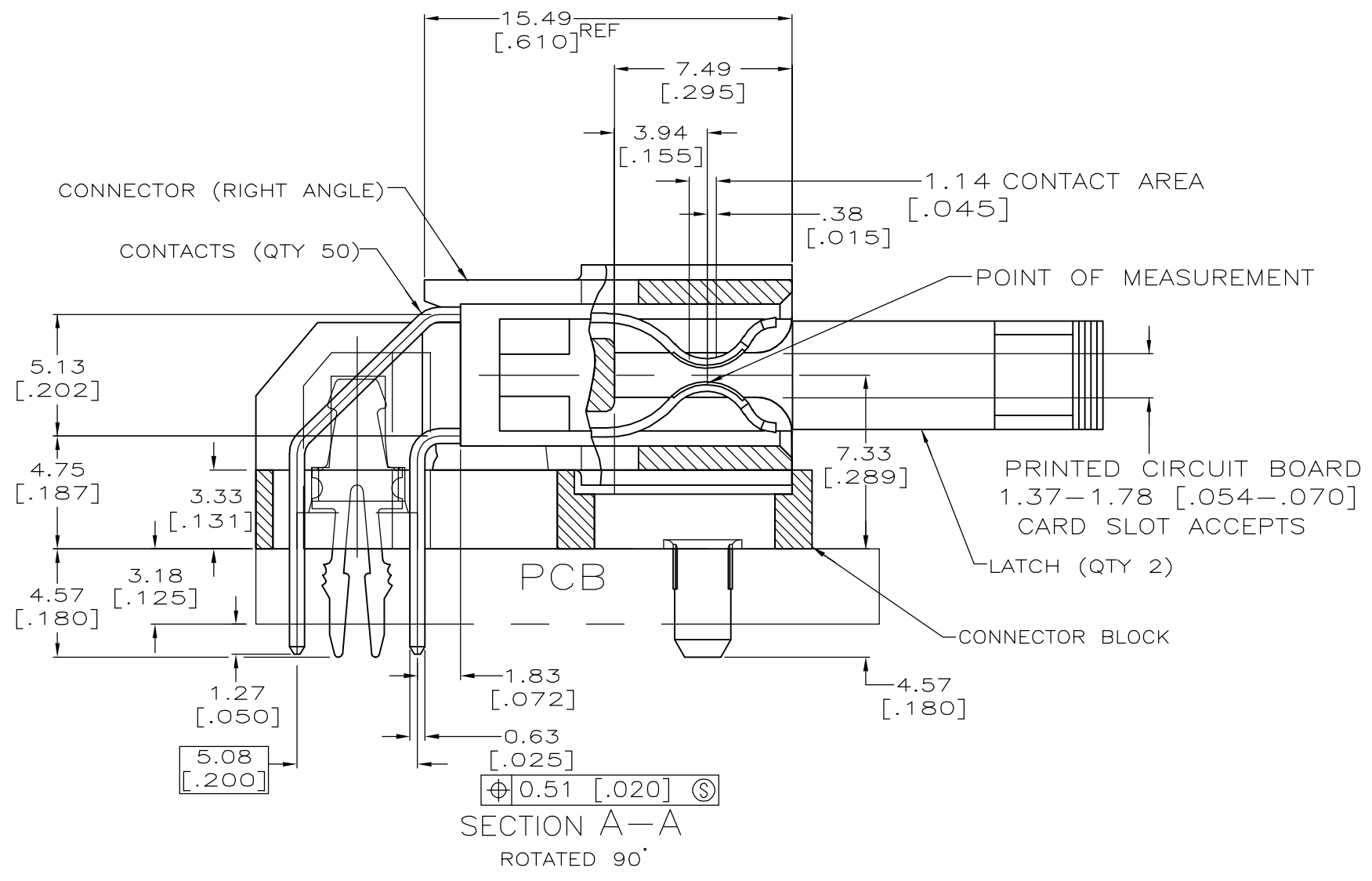
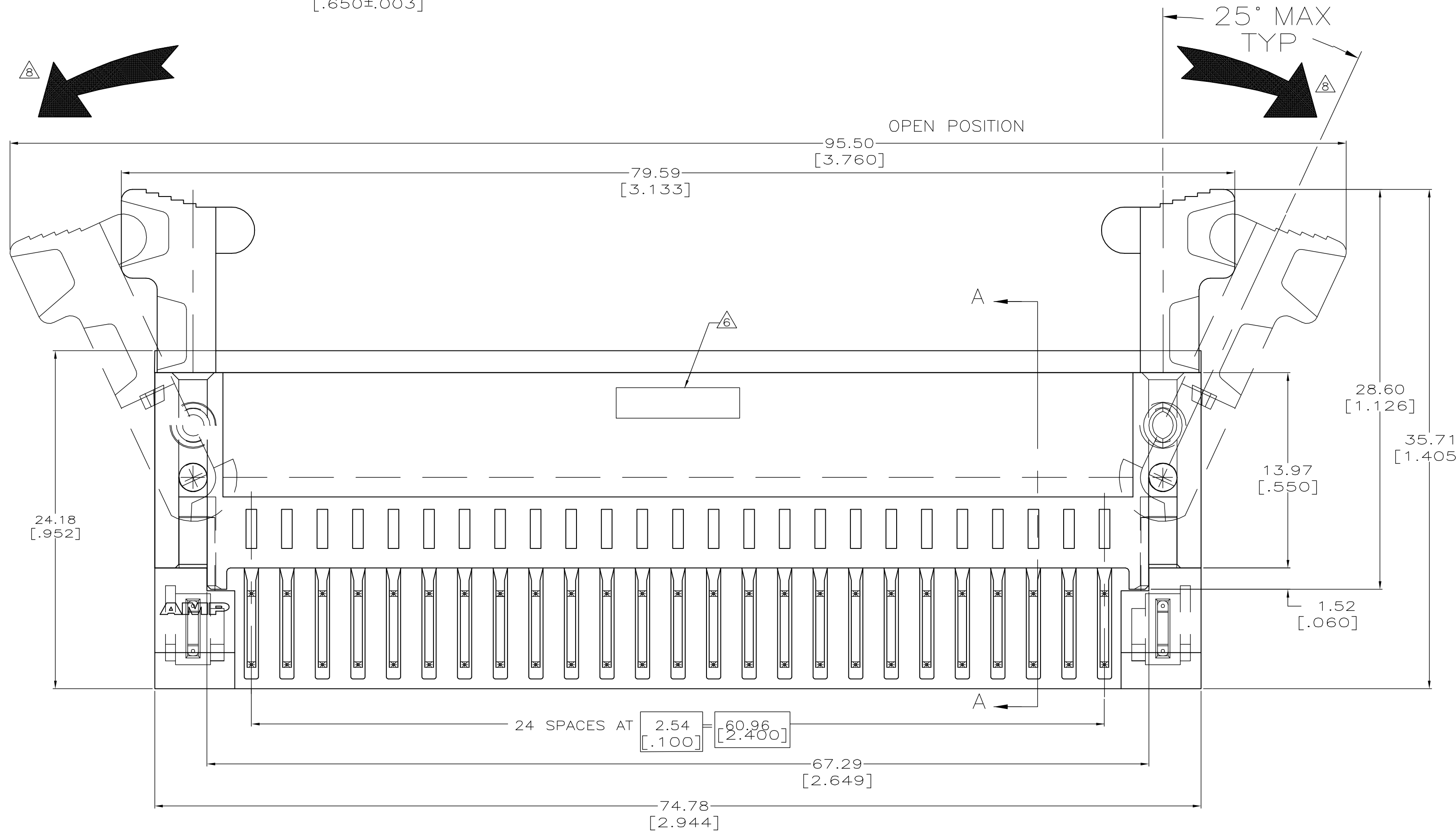


- 1 HOUSING AND SUPPORT BLOCK: GLASS FILLED POLYESTER; COLOR: BLACK.
- 2 CONTACT: PHOSPHOR BRONZE.
- 3 NICKEL PLATE: 0.00127 [.000050] MIN - ALL OVER.
- 4 MATTE TIN PLATE: 0.00254 [.000100] MIN - SOLDER POSTS.
- 5 GOLD PLATE: 0.00076 [.000030] MIN - CONTACT AREA.
- 6 AMP PART NUMBER, DATE CODE AND CSA LOGO MAY BE MARKED IN APPROXIMATE AREA SHOWN.
- 7 DATUMS AND BASIC DIMENSIONS ESTABLISHED BY CUSTOMER
- 8 CAUTION, LATCHES ARE INTENDED FOR RETENTION OF PC BOARD TO CONNECTOR. DO NOT ATTEMPT TO FULLY EJECT PC BOARD FROM CONNECTOR WHILE DISENGAGING LATCHES. DAMAGE TO LATCHES AND OR CONNECTOR WILL OCCUR. CONSULT AMP ENGINEERING FOR INFORMATION RELATED TO THIS CONNECTOR APPLICATION.



25	6364633-1
NO OF POSN	PART NUMBER

THIS DRAWING IS A CONTROLLED DOCUMENT.		DIN AL FRANTUM 17 AUG 05	 Tyco Electronics Corporation Harrisburg, Pa 17105-3608
DIMENSIONS: mm		CHK AL FRANTUM 17 AUG 05	
TOLERANCES UNLESS OTHERWISE SPECIFIED:		APVD	NAME
0 PLC ±	1 PLC ± 0.3 [0.10]	PRODUCT SPEC	CONNECTOR ASSEMBLY, RIGHT ANGLE, 2.54 [1.00] CL, 25 DUAL POSITION WITH SUPPORT BLOCK
2 PLC ± 0.13 [0.05]	3 PLC ±	APPLICATION SPEC	108-9039
4 PLC ±	ANGLES ±	SIZE	A1
MATERIAL	FINISH	WEIGHT	00779 C=6364633
CUSTOMER DRAWING		SCALE	4:1
		SHEET	1 OF 1
		REV	A

单击下面可查看定价，库存，交付和生命周期等信息

[>>TE Connectivity\(泰科\)](#)