

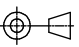

## CODE 22 - LOW PROFILE HEAT SHRINK BOOT BACKSHELL

**203M416-19A**

SERIES \_\_\_\_\_  
 ORDER NUMBER (TABLE 1) \_\_\_\_\_  
 MATERIAL \_\_\_\_\_  
     REFER TO CH00-0250-004  
 FINISH \_\_\_\_\_  
     REFER TO CH00-0250-004

### NOTES:

1. THIS PRODUCT IS DESIGNED TO TERMINATE A HEAT SHRINKABLE LIPPED BOOT TO A CONNECTOR
  2. BACKSHELL TO BE PERMANENTLY MARKED/BAGGED AND LABELLED WITH CODE IDENTIFICATION NUMBER AND PART NUMBER. (e.g. 06090-203M416-19A).
  3. FOR ADDITIONAL DIMENSIONS, ORDERING INFORMATION AND MODIFICATIONS, SEE CH00-0250-004.
  4. KNURL INSIDE BOOT GROOVE MAY BE SUPPLIED AT MANUFACTURER'S OPTION.
- ⑤ SHELL SIZE FOR BENDIX PTXXCE SERIES CONNECTORS.

<b>DRAWN</b>	K.WINCZURA	DATE 02/11/2015	 <small>3RD ANGLE PROJECTION NOT TO SCALE</small>	<b>TITLE:</b>	
<b>CHECKED</b>		02/11/2015		<b>LOW PROFILE HEAT SHRINK BOOT BACKSHELL</b>	
<b>APPROVED</b>	K.SHEPPARD	06/11/2015	UNLESS OTHERWISE SPECIFIED ALL DIMENSIONS IN MILLIMETRES <b>GENERAL TOL</b> LINEAR +/-0.25MM ANGULAR +/- 1°	<b>ASSY USED ON:</b>	
<b>APPROVED</b>	H.SMITH	16/11/2015		<b>BENDIX PTXXCE SERIES CONNECTORS</b>	
<b>REVISIONS</b>					
<b>LTR</b>	<b>DESCRIPTION</b>	<b>DATE</b>	<b>APPROVED</b>		
<b>B</b>	REVISED PER ECN NO. 17359	28/04/1992	G.L.D.		
<b>C</b>	REVISED PER ECO-15-016466	16/11/2015	H.SMITH		
TE CAGE CODE: 06090 POLAMCO/TE CAGE CODE: U5792				TE CONNECTIVITY - POLAMCO LTD RESERVES THE RIGHT TO AMEND THIS DRAWING AND TO INDEP SHOULD IN THEIR APPLICATION.	<b>DRAWING NO:</b> <span style="font-size: 1.2em;">203M4XX</span>
				<b>DRAWING REV:</b>	<b>SHT</b>
				<b>C</b>	<b>1</b>

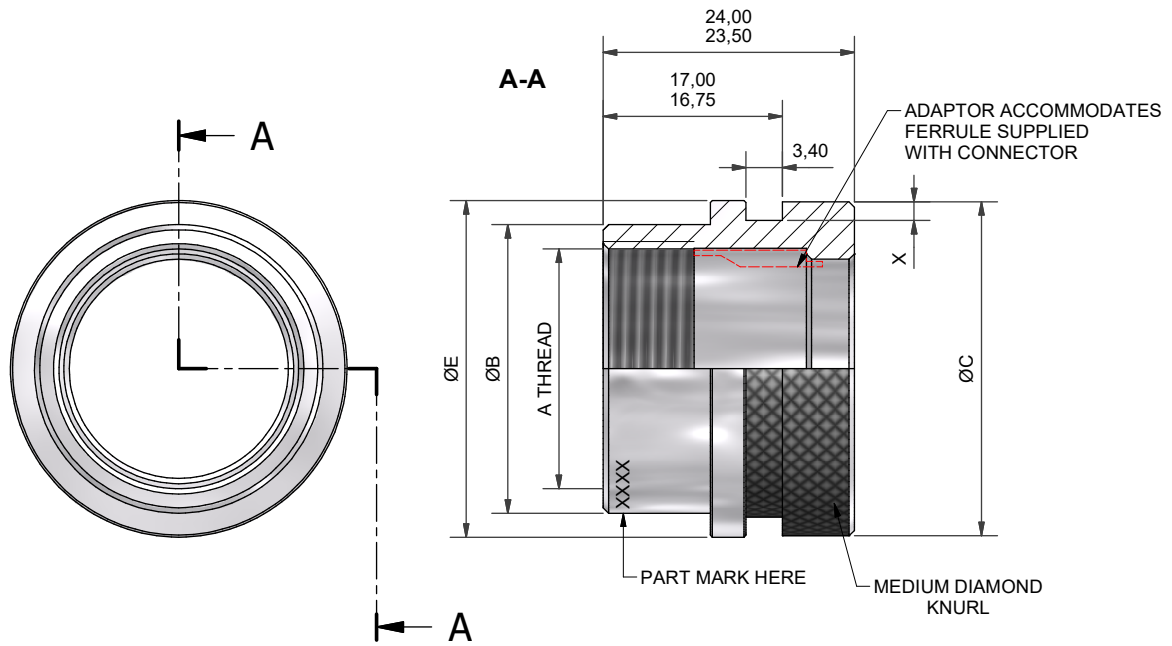
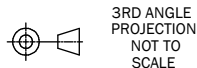


TABLE 1

ORDER NUMBER	SHELL SIZE ⑤	A THREAD	ØB	ØC	X +0,20/-0,00	ØE
08	8	7/16-28UNEF	14,50	17,25	1,12	19,00
10	10	9/16-24UNEF	17,50	20,50	1,12	22,00
12	12	11/16-24UNEF	20,50	23,75	1,12	25,50
14	14	13/16-20UNEF	23,50	26,75	1,12	28,50
16	16	15/16-20UNEF	27,00	31,25	1,75	31,50
18	18	1 1/16-18UNEF	30,00	32,75	1,75	35,00
20	20	1 3/16-18UNEF	33,00	36,00	1,75	38,00
22	22	1 5/16-18UNEF	36,50	39,25	1,75	41,00
24	24	1 7/16-18UNEF	39,50	42,50	1,75	44,50

DRAWN	K.WINCZURA	DATE	02/11/2015
CHECKED		DATE	02/11/2015
APPROVED	K.SHEPPARD	DATE	06/11/2015
APPROVED	H.SMITH	DATE	16/11/2015



3RD ANGLE  
PROJECTION  
NOT TO  
SCALE

UNLESS OTHERWISE SPECIFIED  
ALL DIMENSIONS IN MILLIMETRES  
**GENERAL TOL**  
LINEAR +/-0,25MM  
ANGULAR +/- 1°

REVISIONS

LTR	DESCRIPTION	DATE	APPROVED
B	REVISED PER ECN NO. 17359	28/04/1992	G.L.D.
C	REVISED PER ECO-15-016466	16/11/2015	H.SMITH

TITLE:

LOW PROFILE HEAT SHRINK BOOT BACKSHELL

ASSY USED ON:

BENDIX PTXXCE SERIES CONNECTORS



TE CONNECTIVITY - POLAMCO LTD RESERVES THE RIGHT TO AMEND THIS DRAWING AND THEREOF SHOULD BE IN THEIR APPLICATION.

DRAWING NO:  
**203M4XX**

DRAWING REV:  
**C**

SHT  
**2**

TE CAGE CODE: 06090  
POLAMCO/TE CAGE CODE: U5792

单击下面可查看定价，库存，交付和生命周期等信息

[>>TE Connectivity\(泰科\)](#)