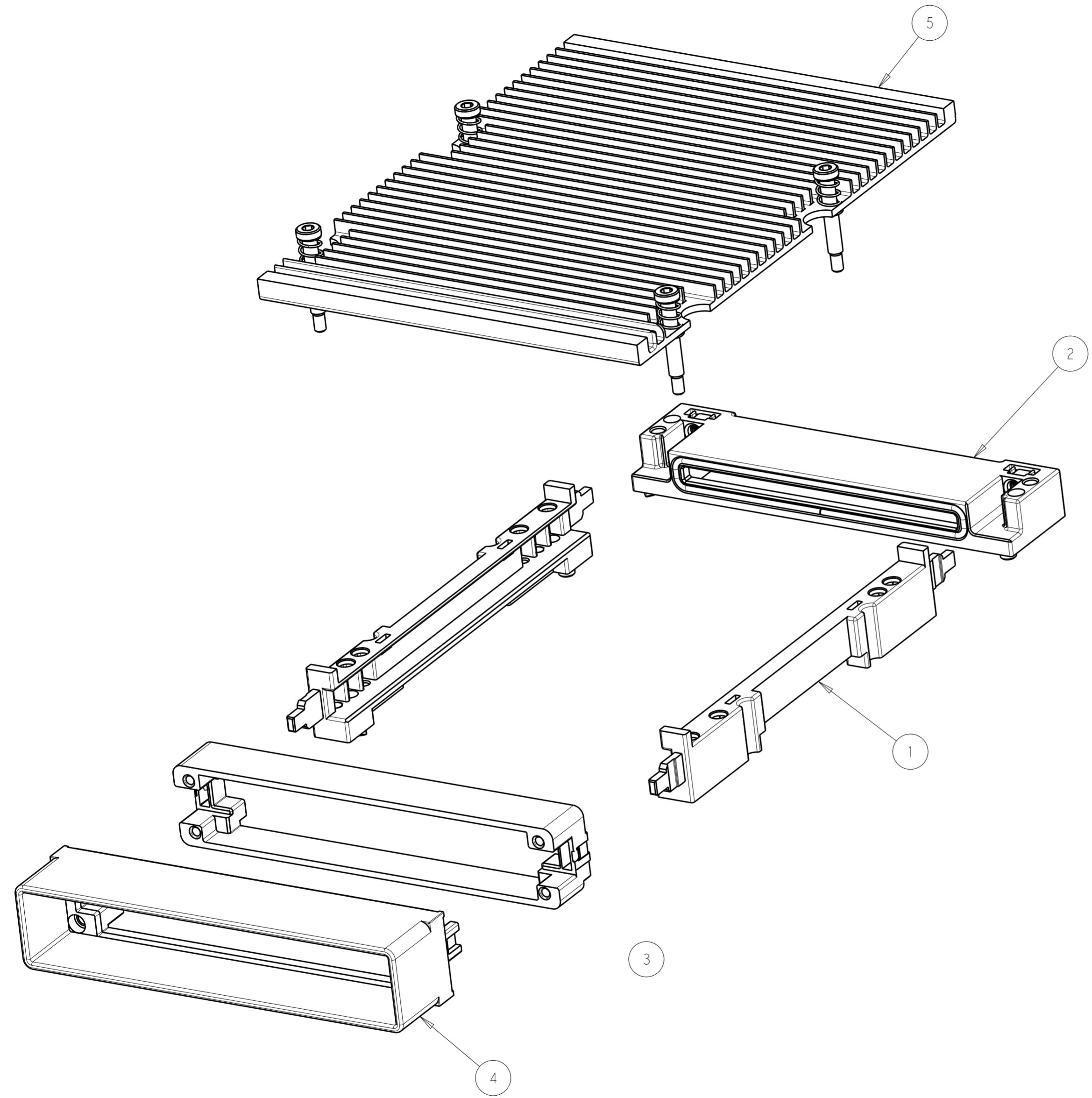



THIS DRAWING IS UNPUBLISHED. RELEASED FOR PUBLICATION 20  
 © COPYRIGHT 20 BY - ALL RIGHTS RESERVED.

REVISIONS					
P	LTR	DESCRIPTION	DATE	DWN	APVD
	A	RELEASED	18SEP2013	CJV	MRS
	A1	REVISED PER ECO-19-001697	18FEB2019	IT	SH



1.BULK PACKED

1	-	2274283-3	HEATSINK ASSEMBLY	5
-	1	2274283-1	EXTERNAL BRACKET ASSEMBLY	4
1	1	2057626-1	BACKER PLATE ASSEMBLY	3
1	1	2057930-1	CONNECTOR COVER ASSEMBLY	2
2	2	2057592-2	GUIDE RAIL	1
-2	-1	PART NUMBER	DESCRIPTION	ITEM NO

THIS DRAWING IS A CONTROLLED DOCUMENT.		DWN C. VALENTINE 18SEP2013	 TE Connectivity	
DIMENSIONS: mm		CHK M. SCHMITT 18SEP2013		
TOLERANCES UNLESS OTHERWISE SPECIFIED:		APVD M. SCHMITT 18SEP2013	NAME CFP HARDWARE KIT W/ HEATSINK, SIDE TO SIDE AIRFLOW	
0 PLC ±- 1 PLC ±0.5 2 PLC ±0.13 3 PLC ±0.013 4 PLC ±0.0001 ANGLES ±- FINISH ±-		PRODUCT SPEC 108-2399	RESTRICTED TO	
MATERIAL		APPLICATION SPEC 114-13263	SIZE A2	CAGE CODE -
		WEIGHT -	DRAWING NO G-2274284	
		Customer Drawing	SCALE 3:2	SHEET 1 OF 1
			REV A1	

单击下面可查看定价，库存，交付和生命周期等信息

[>>TE Connectivity\(泰科\)](#)