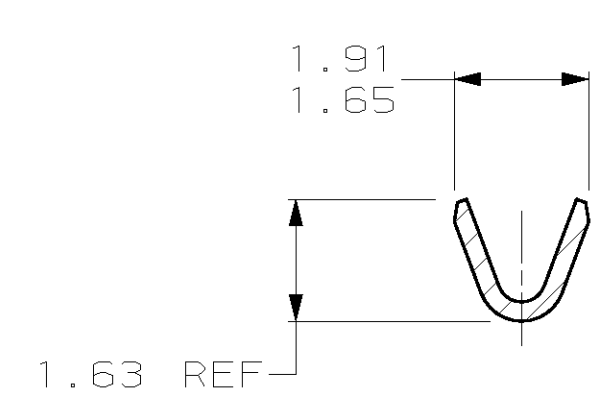
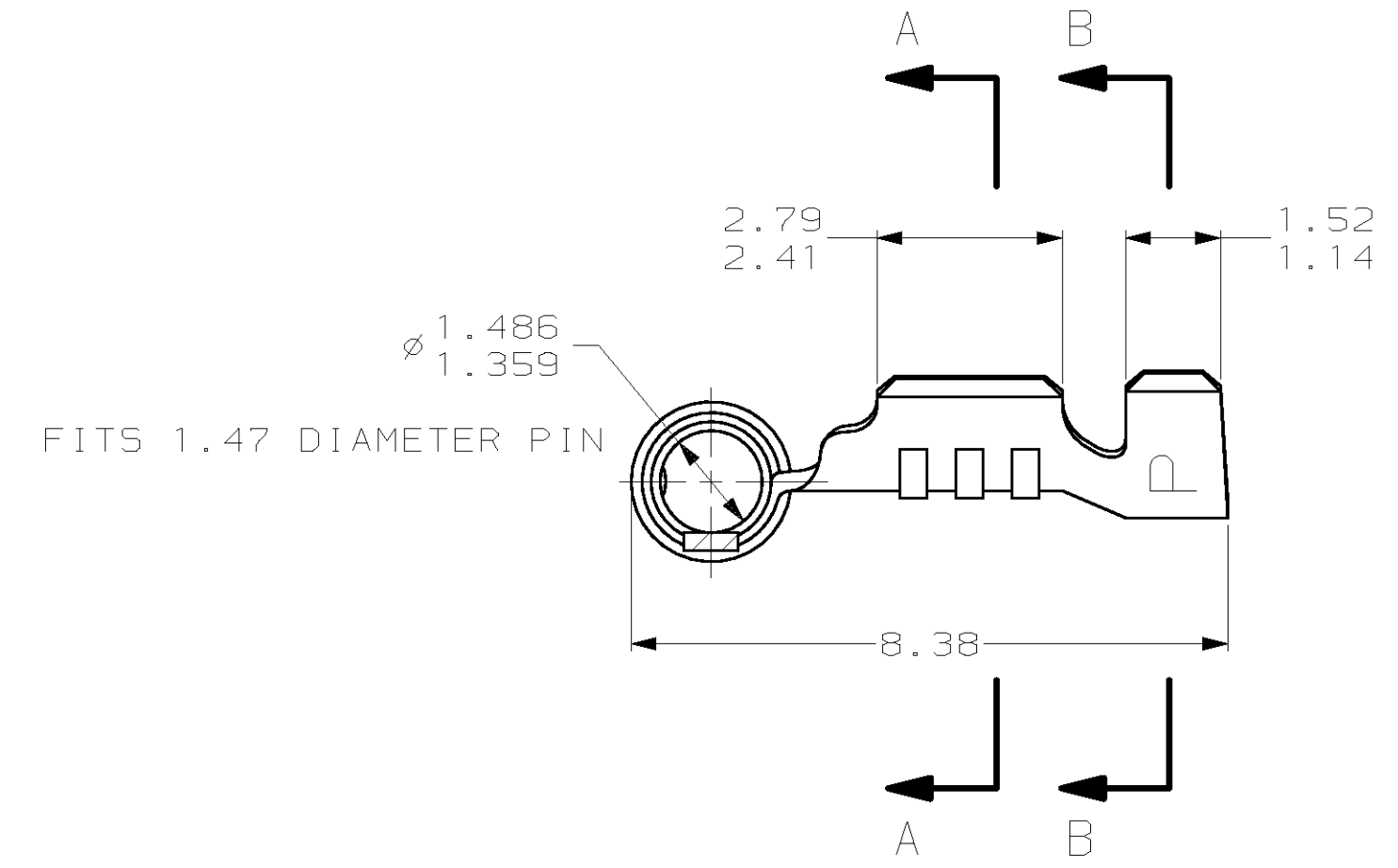
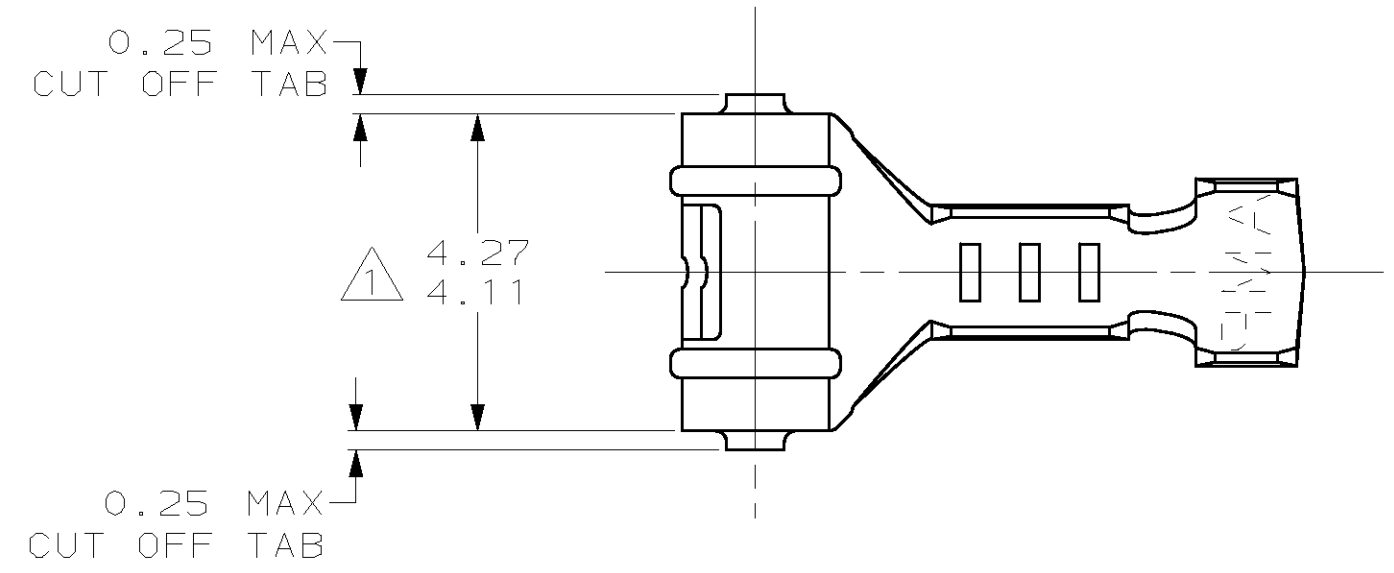


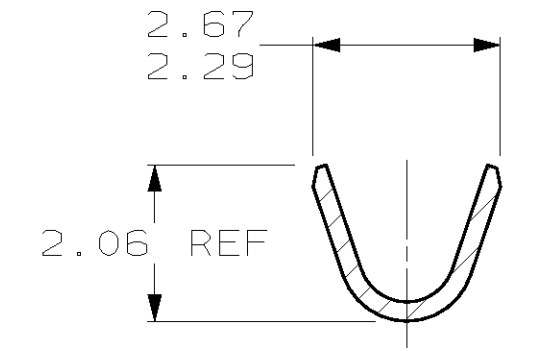
THIS DRAWING IS UNPUBLISHED. RELEASED FOR PUBLICATION
 (C) COPYRIGHT 19 BY AMP INCORPORATED. ALL RIGHTS RESERVED.

LOC	DIST	REVISIONS			
P	LTR	DESCRIPTION	DATE	DWN	APVD
CM	52	B	REV & REDWN PER EC 0L30-0125-97	6-12-97	TB RS

- 1. 0.00038 MIN SELECTIVE GOLD PLATING ON INSIDE OF RECEPTACLE OVER NICKEL OVER ALL UNDERPLATE.
- 2. WIRE RANGE: 0.12 - 0.4 MM² (26 - 22 AWG)
- 3. INSULATION RANGE: 0.89 - 1.65



SECTION A-A



SECTION B-B

△	0.25 BE COPPER	350189-2
	PRE-TIN	0.25 PH BRZ
	FINISH	MATERIAL
		PART NUMBER

1.359	.0535	1.91	.075	4.11	.162	-	-
1.14	.045	1.65	.065	2.79	.110	-	-
0.89	.035	1.63	.064	2.67	.105	-	-
0.25	.010	1.52	.060	2.41	.095	-	-
0.13	.005	1.486	.0585	2.29	.090	8.38	.330
0.00038	.000015	1.47	.058	2.06	.081	4.27	.168
MM	IN	MM	IN	MM	IN	MM	IN

CONVERSION TABLE

METRIC

THIS DRAWING IS A CONTROLLED DOCUMENT.

DIMENSIONS: mm	TOLERANCES UNLESS OTHERWISE SPECIFIED:	DWN T. BECK 6-12-97	AMP AMP Incorporated Harrisburg, PA 17105-3608			
	0 PLC ±-	CHK R. SWING 6-12-97				
	1 PLC ±-	APVD A. BEDDICK 6-17-97				
	2 PLC ±0.13	NAME RECEPTACLE, .058 DIAMETER, 26-22 AWG, .035-.065 INSULATION, RIGHT ANGLE, LOOSE PIECE, P.C. CONTACT				
	3 PLC ±-	PRODUCT SPEC 108-1025				
4 PLC ±-	APPLICATION SPEC 114-1008	SIZE A2	CAGE CODE 00779	DRAWING NO. C-350189	RESTRICTED TO	
MATERIAL SEE TABLE	FINISH SEE TABLE	WEIGHT -	CUSTOMER DRAWING	SCALE 10:1	SHEET 1 OF 1	REV B

350189

单击下面可查看定价，库存，交付和生命周期等信息

[>>TE Connectivity\(泰科\)](#)