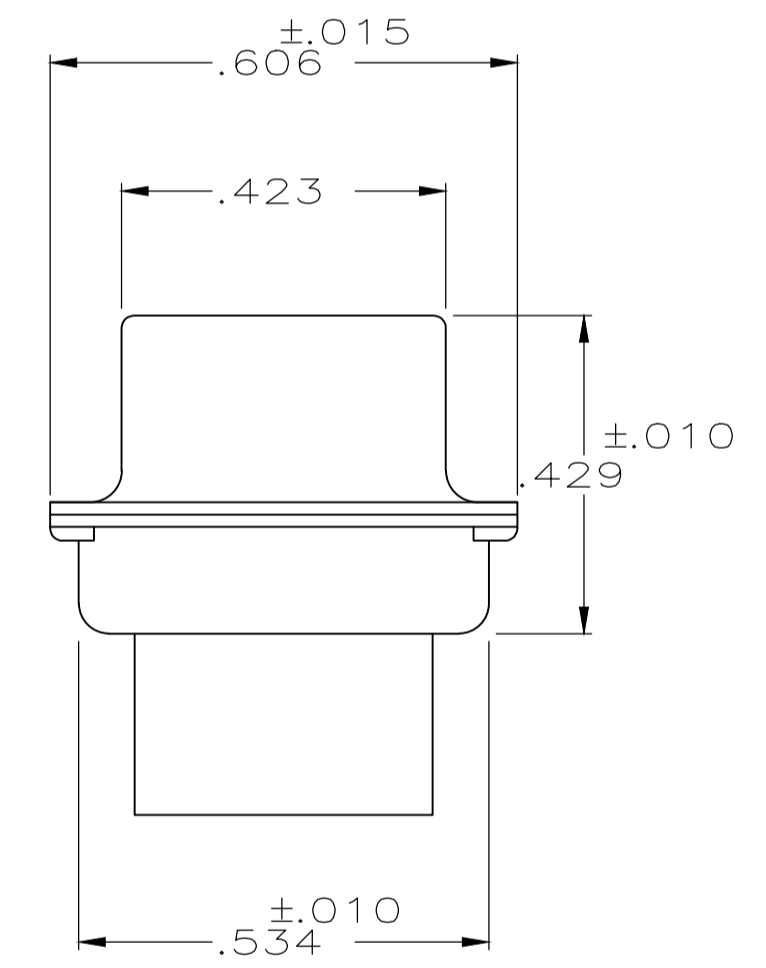
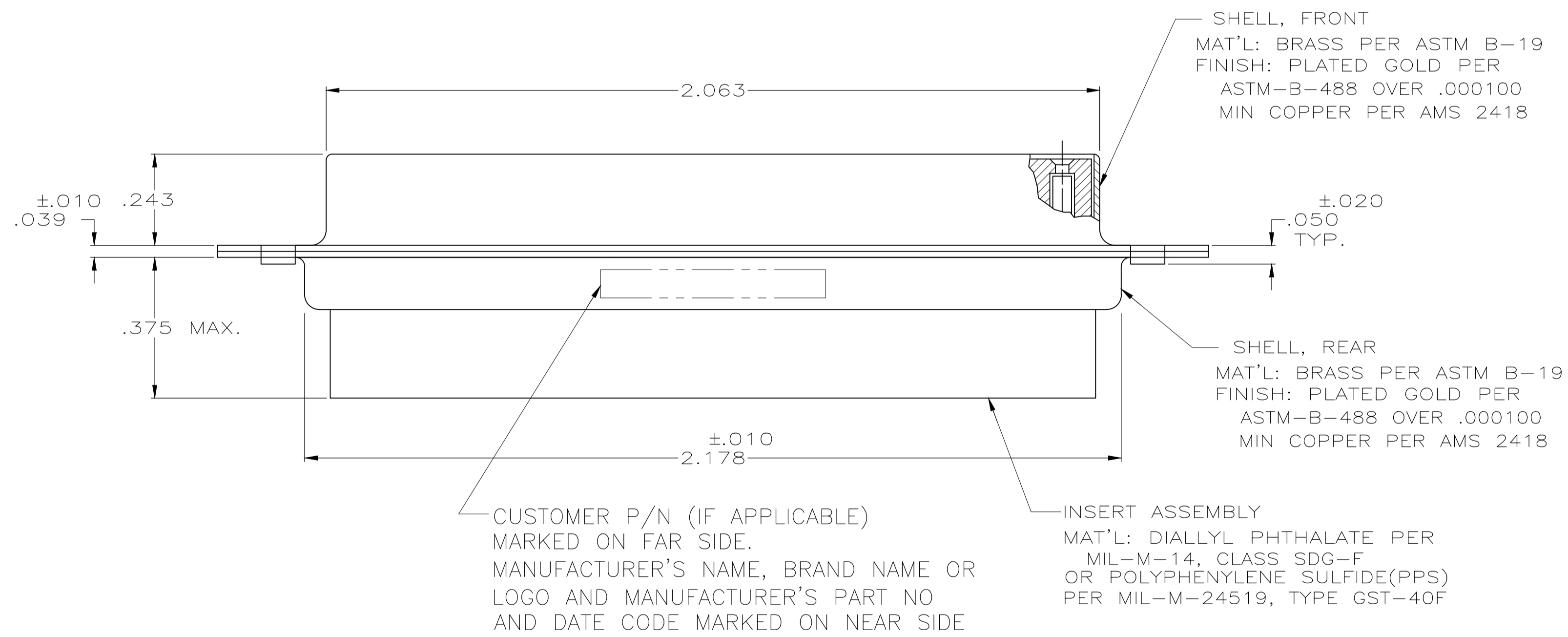
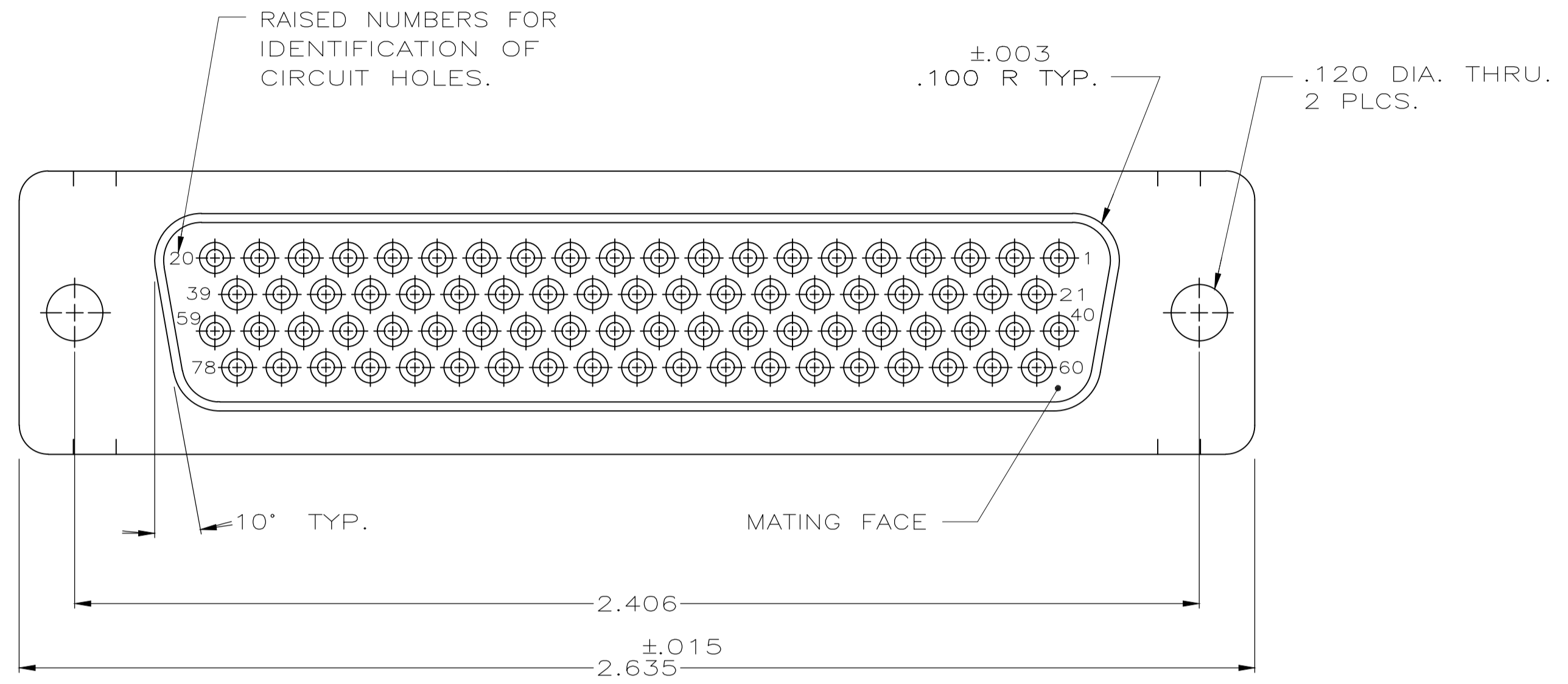


| REVISIONS |     |                       |         |     |      |
|-----------|-----|-----------------------|---------|-----|------|
| P         | LTR | DESCRIPTION           | DATE    | DMN | APVD |
| E         |     | REV PER ECO 20-001902 | 4-30-20 | CT  | DM   |

- THIS RECEPTACLE WILL MATE WITH ANY SIZE 5,78 POSN. PLUG IN AMPLIMITE SERIES.
  - CONNECTOR SUPPLIED WITHOUT CONTACTS; SHOWN FOR ILLUSTRATION ONLY.
  - BE-CU RETENTION CLIPS ARE INCLUDED IN INSERTS AND INSTALLED WITH TINES POINTING TOWARDS MATING FACE.
  - OVERALL DIMENSIONS DO NOT INCLUDE RAISED CAVITY IDENTIFICATION
  - MARKING FAR SIDE REFERS TO WIDE SIDE OF KEYSTONE. NEAR SIDE REFERS TO NARROW SIDE OF KEYSTONE.
- △ 100% INSPECTION REQUIRED PER BOEING 1B01:  
 A. VISUAL  
 B. DWV  
 C. IR
- CUSTOMER REQUIRES SINGLE LOT DATE CODE.



|         |                      |            |
|---------|----------------------|------------|
| △       | 1B01-005RHW          | 1-211647-1 |
| △       | 1B01-005             | 211647-1   |
| REMARKS | CUSTOMER PART NUMBER | PART NO.   |

THIS DRAWING IS A CONTROLLED DOCUMENT.

|                         |  |                            |                           |
|-------------------------|--|----------------------------|---------------------------|
| DIMENSIONS:<br>INCHES   | TOLERANCES UNLESS OTHERWISE SPECIFIED: | DIN<br>D. ERDMAN 160CT2008 | APVD<br>B. YOHN 160CT2008 |
| 0 PLC ± -               | 1 PLC ± -                              | NAME<br>J. BROSCARD        | PRODUCT SPEC              |
| 2 PLC ± -               | 3 PLC ± .005                           | APPLICATION SPEC           | SIZE<br>A1                |
| 4 PLC ± -               | ANGLES ± # 0'30"                       | WEIGHT<br>0.000000         | CAGE CODE<br>00779        |
| MATERIAL<br>SEE CALLOUT | FINISH<br>SEE CALLOUT                  | DRAWING NO<br>211647       | RESTRICTED TO<br>-        |
| CUSTOMER DRAWING        |  | SCALE<br>NTS               | SHEET<br>1 OF 1           |

RECEPTACLE ASS'Y, AMPLIMITE  
 78 POSN, SIZE 5, SERIES 90  
 NON-MAGNETIC

单击下面可查看定价，库存，交付和生命周期等信息

[>>TE Connectivity\(泰科\)](#)