

4

3

2

1

THIS DRAWING IS UNPUBLISHED.

RELEASED FOR PUBLICATION

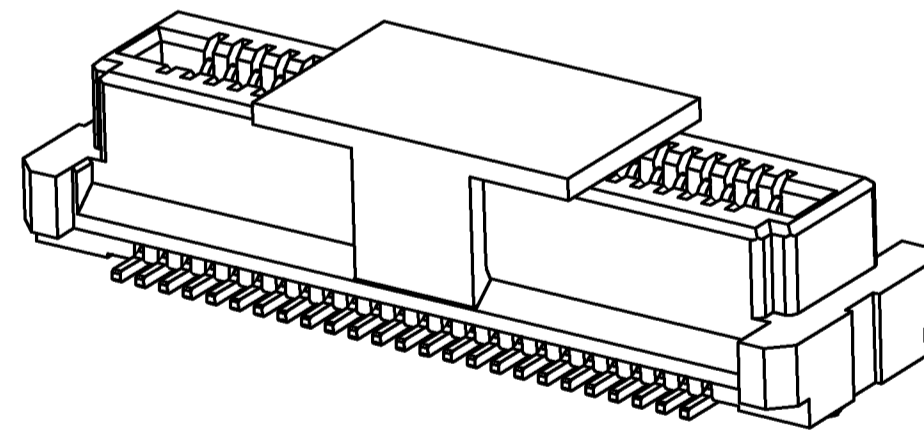
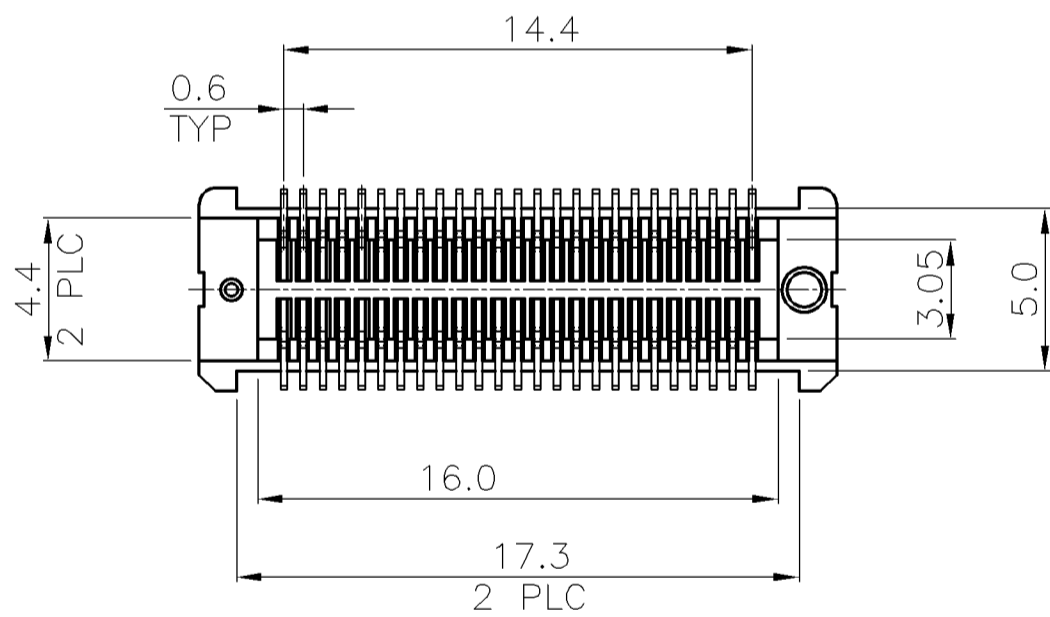
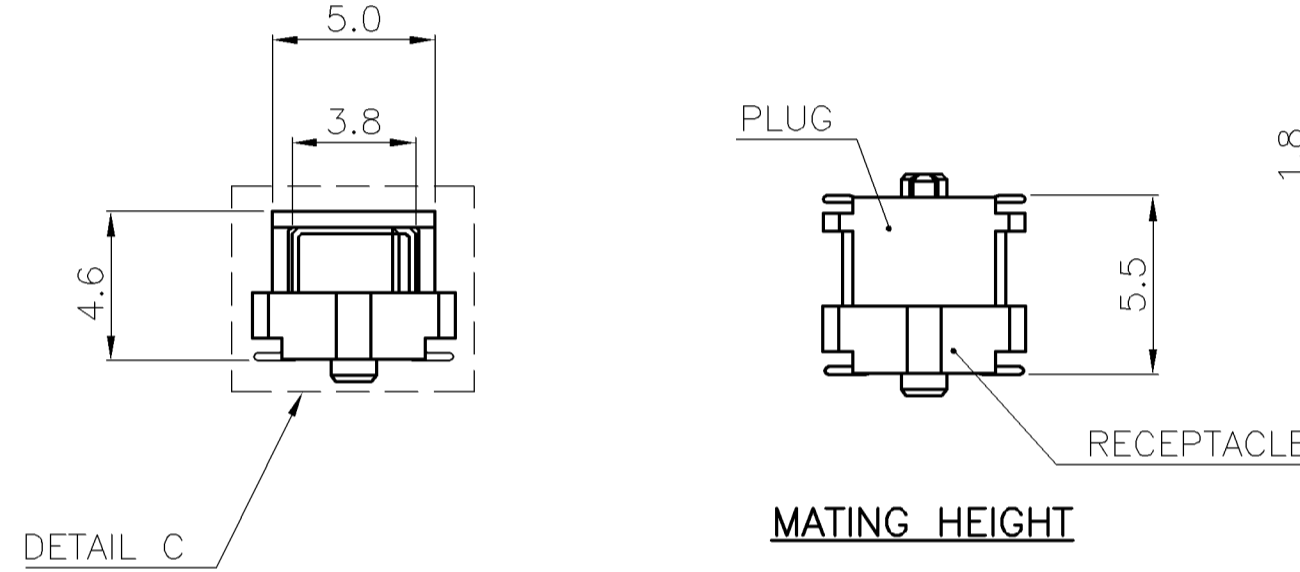
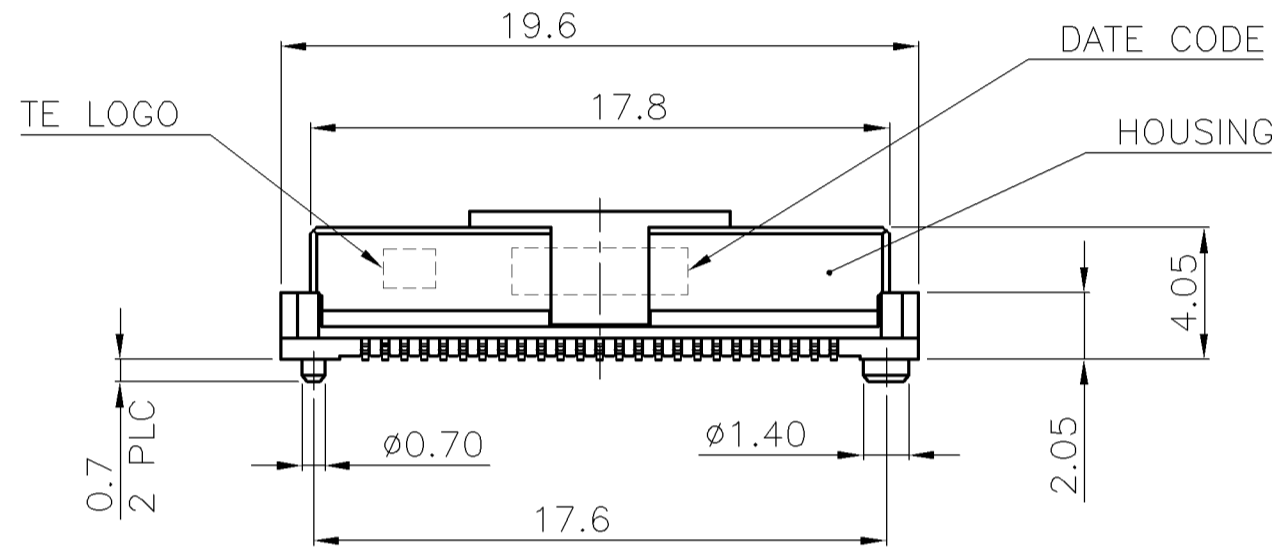
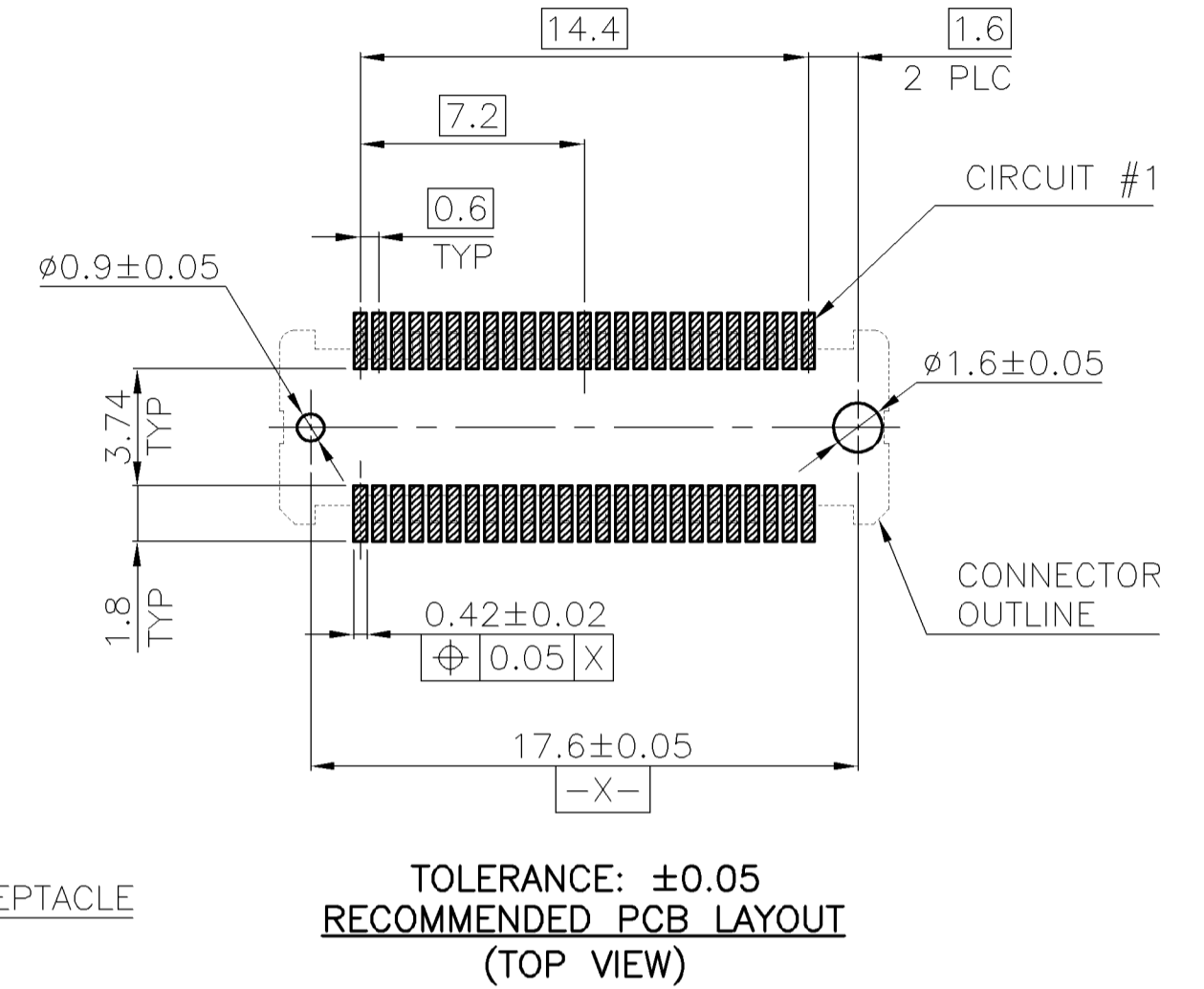
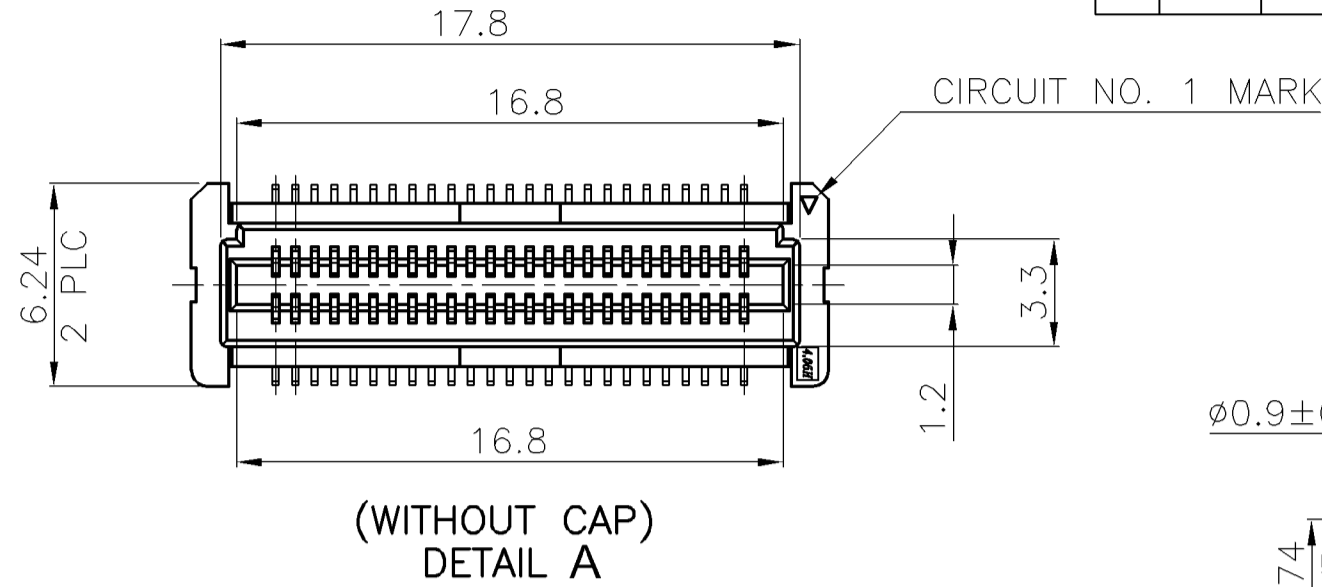
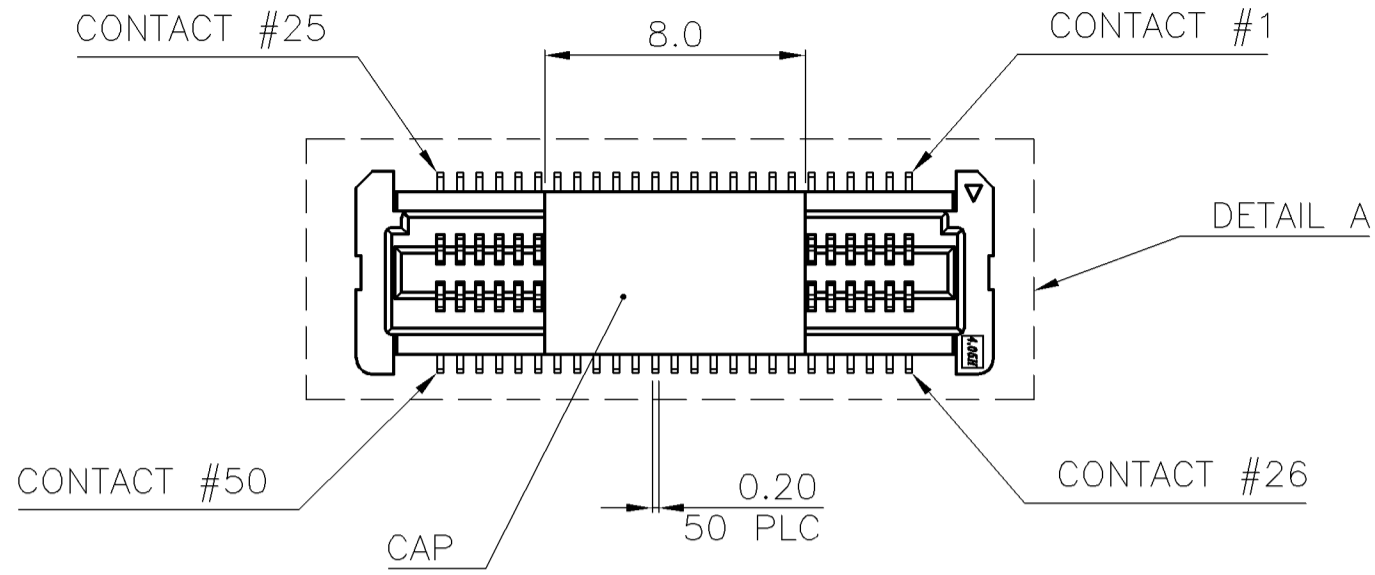
© COPYRIGHT BY TYCO ELECTRONICS CORPORATION. ALL RIGHTS RESERVED.

LOC DW

DIST -

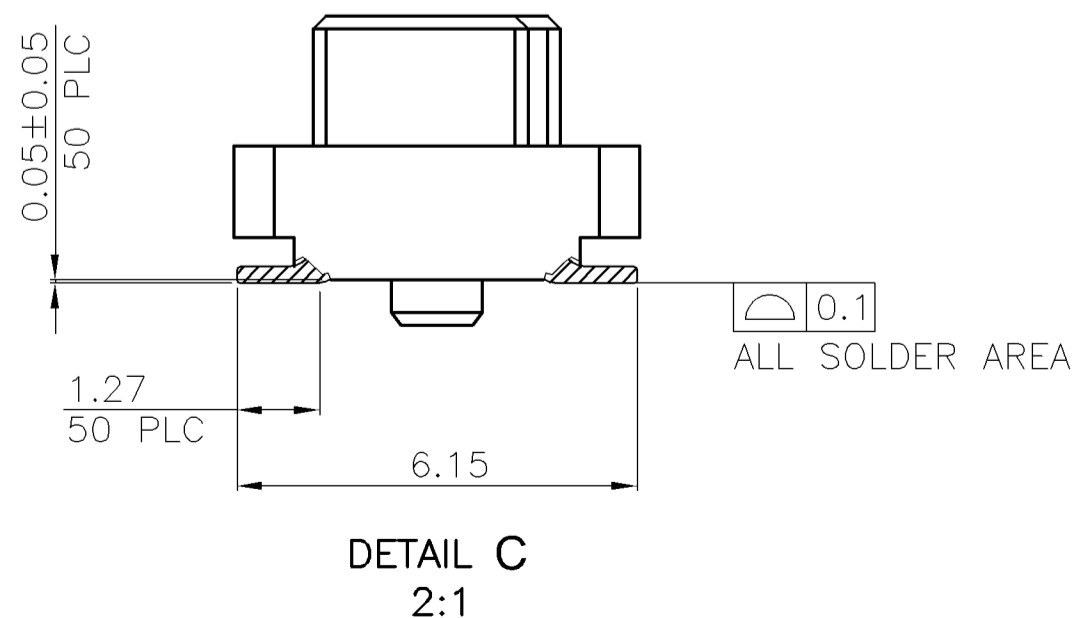
REVISIONS

| P | LTR | DESCRIPTION | DATE | DWN | APVD |
|---|-----|---------------|---------|-----|------|
| C | | ECR-09-010047 | 04MAY09 | AW | WK |



NOTES:

- MATERIAL:
HOUSING: LCP WITH 35% GF, UL 94V-0, NATURAL COLOR.
CAP: LCP WITH 35% GF, UL 94V-0, NATURAL COLOR.
CONTACTS: PHOSPHOR BRONZE.
- FINISH:
CONTACTS: GOLD FLASH PLATED ON CONTACT AREA, 3.05µm [120µ"] MIN. MATTE-TIN ON SOLDER TAIL, WITH ENTIRE CONTACT UNDERPLATED 1.27µm [50µ"] MIN. NICKEL.
- REFLOW SOLDER CAPABLE TO 260°C PER TEC-109-201, CONDITION B.
- MATING PLUG PART NUMBER: 1759898-1.



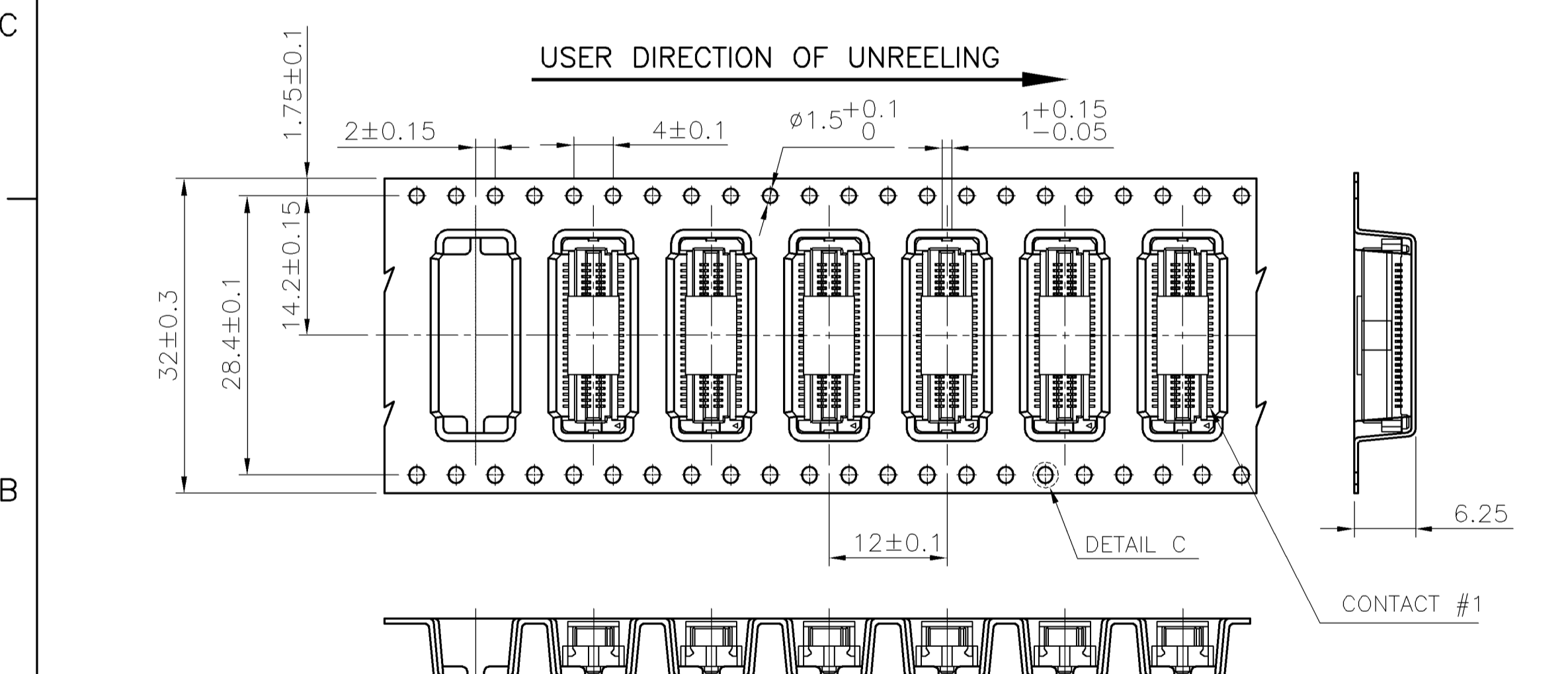
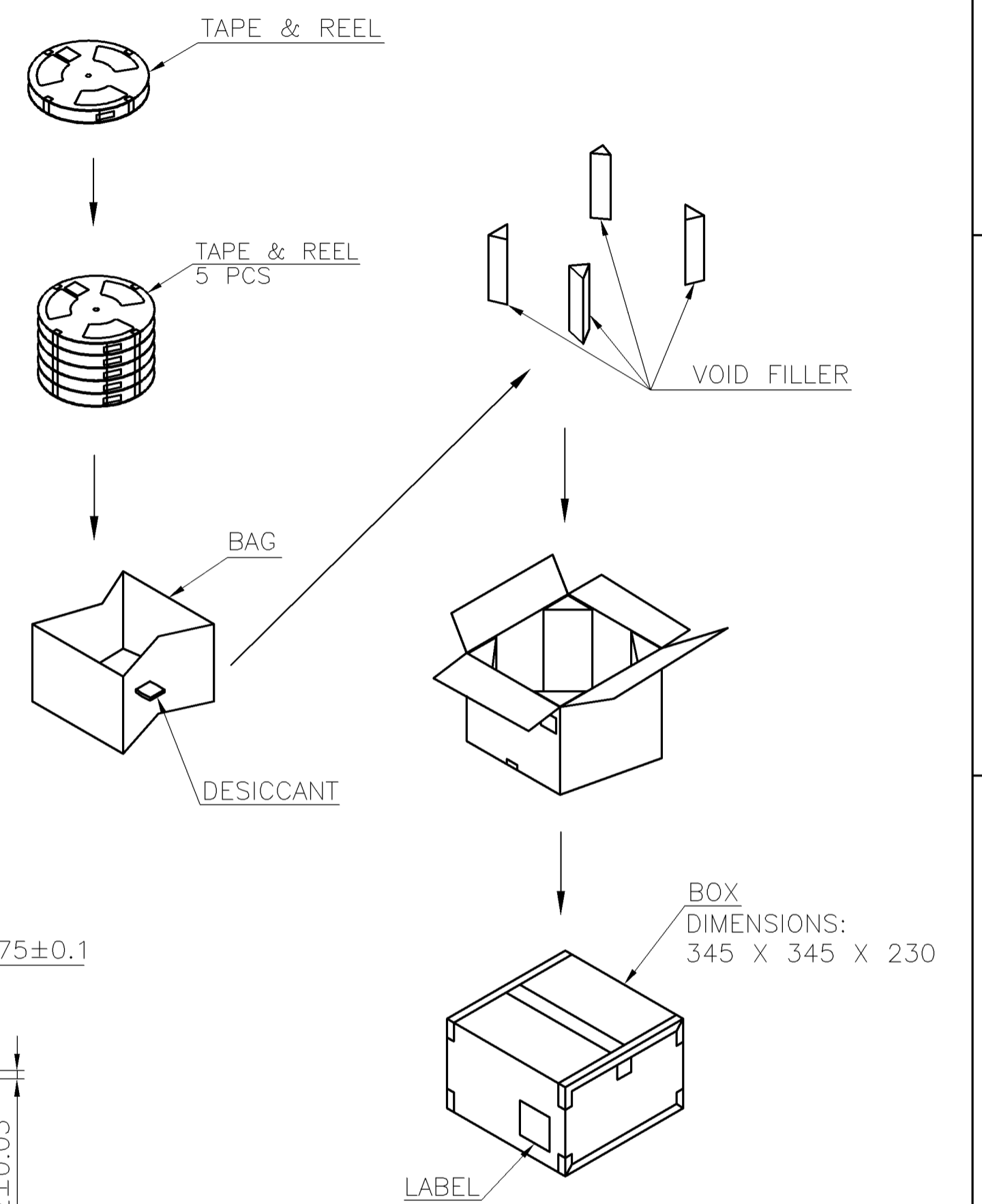
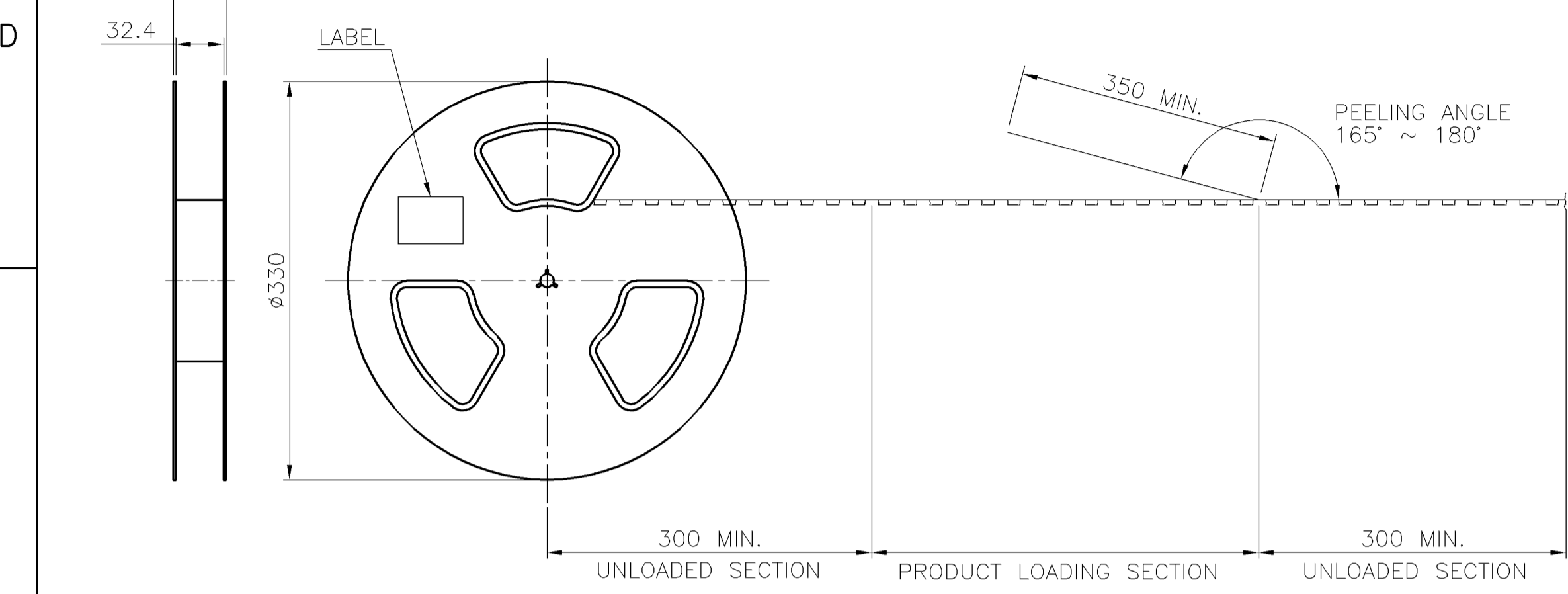
1759899-1

PART NUMBER

| | | | | |
|--|--|---|------------------------------------|--|
| THIS DRAWING IS A CONTROLLED DOCUMENT. | | DWN A. WU 04MAY2009 | Tyco Electronics Corporation | |
| DIMENSIONS: MM | | CHK S. CHIEN 04MAY2009 | Tyco Electronics Taipei, Taiwan | |
| TOLERANCES UNLESS OTHERWISE SPECIFIED: | | APVD W. KODAMA 04MAY2009 | NAME | |
| 0 PLC ± 0.5 | | 108-57761 | | |
| 1 PLC ± 0.3 | | APPLICATION SPEC | | |
| 2 PLC ± 0.2 | | SIZE CAGE CODE DRAWING NO RESTRICTED TO | | |
| 3 PLC ± 0.15 | | A3 00779 C-1759899 | | |
| 4 PLC ± - | | SCALE - SHEET 1 OF 2 REV C | | |
| ANGLES ± 3' | | CUSTOMER DRAWING | | |
| FINISH | | WEIGHT 0.602 GRAMS | | |
| SEE NOTE | | MATERIAL | | |
| SEE NOTE | | FINISH | | |

THIS DRAWING IS UNPUBLISHED. RELEASED FOR PUBLICATION
 © COPYRIGHT BY TYCO ELECTRONICS CORPORATION. ALL RIGHTS RESERVED.

| LOC | DIST | REVISIONS | | | | | |
|-----|------|-----------|-----|--------------|------|-----|------|
| DW | — | P | LTR | DESCRIPTION | DATE | DWN | APVD |
| | | | | SEE SHEET 1. | | | |



- NOTES:
- MATERIAL:
 BOX: FIBREBOARD, CORRUGATED, DOUBLE WALL.
 COVER TAPE: POLYSTYRENES, 120°C HEAT-RESISTANT TEMPERATURE, TRANSPARENT COLOR.
 CARRIER TAPE: POLYSTYRENES, 120°C HEAT-RESISTANT TEMPERATURE, TRANSPARENT COLOR.
 REEL: HIPS, 70°C HEAT-RESISTANT TEMPERATURE, BLUE COLOR.
 BAG: POLYETHYLENES, 100°C HEAT-RESISTANT TEMPERATURE, TRANSPARENT COLOR.
 - EACH BAG SHALL BE INCLUDED DESICCANT.
 - PEELING STRENGTH: 0.1 ~ 1.3 N (10 ~ 130 GRAMS).
 - PEELING SPEED: 300 mm/min.

| | | | | |
|----------|-----------|----------|--------------|------------|
| 1000 | 5 | 5000 PCS | 5.5 KG | 3.01 KG |
| PCS/TAPE | REELS/BOX | QUANTITY | GROSS WEIGHT | NET WEIGHT |

| | | | | | |
|--|--|--|------------------|-------------------------------------|--|
| THIS DRAWING IS A CONTROLLED DOCUMENT. | | DWN | A. WU | 04MAY2009 | Tyco Electronics Corporation Taipei, Taiwan |
| | | CHK | S. CHIEN | 04MAY2009 | |
| | | APVD | W. KODAMA | 04MAY2009 | |
| | | PRODUCT SPEC | | | |
| DIMENSIONS: MM | | TOLERANCES UNLESS OTHERWISE SPECIFIED: | | NAME | |
| | | 0 PLC | ± - | 0.6 MM PITCH BOARD TO BOARD | |
| | | 1 PLC | ± - | CONNECTOR, 50 POSITION, RECEPTACLE, | |
| | | 2 PLC | ± - | MATING HEIGHT 5.5 MM. | |
| | | 3 PLC | ± - | SIZE | A3 |
| | | 4 PLC | ± - | CAGE CODE | 00779 |
| | | ANGLES | ± - | DRAWING NO | C=1759899 |
| MATERIAL | | FINISH | WEIGHT | | RESTRICTED TO |
| | | | - | | - |
| | | | CUSTOMER DRAWING | | SCALE - |
| | | | | | SHEET 2 OF 2 |
| | | | | | REV C |

单击下面可查看定价，库存，交付和生命周期等信息

[>>TE Connectivity\(泰科\)](#)