

4

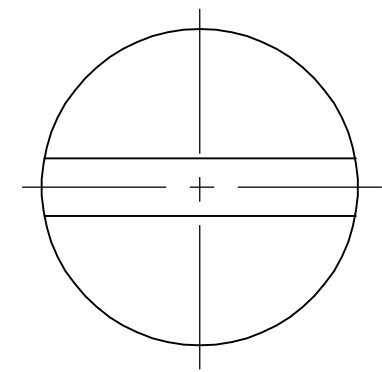
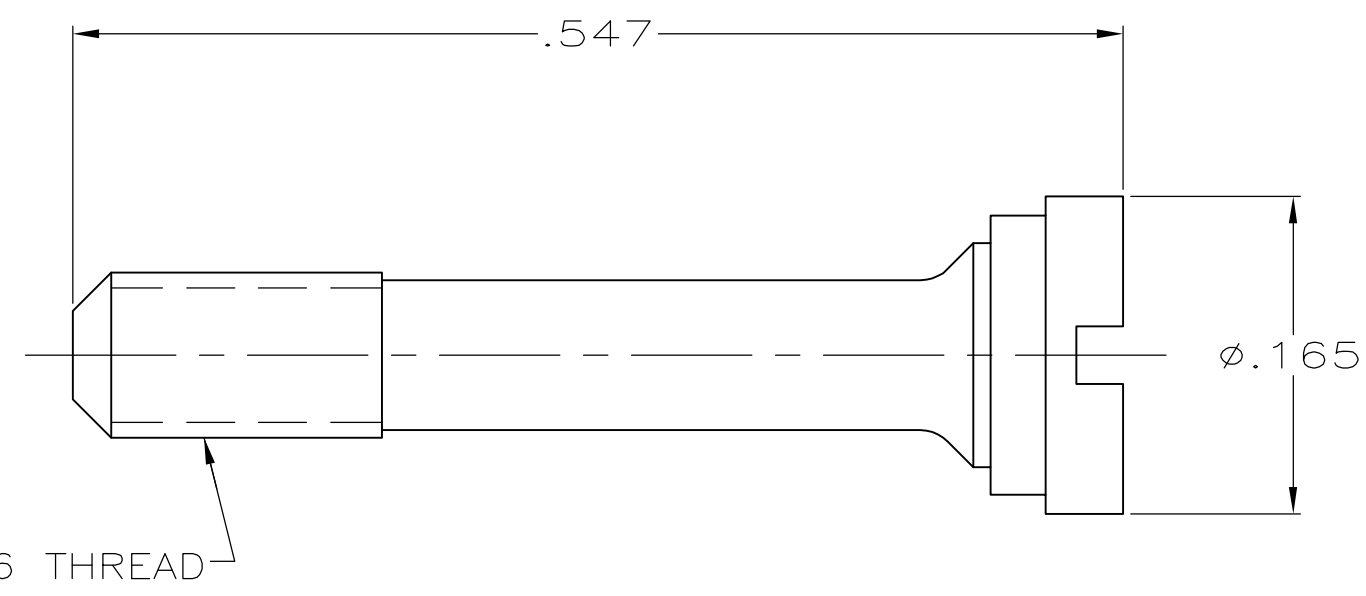
3

2

1

THIS DRAWING IS UNPUBLISHED. RELEASED FOR PUBLICATION
 © COPYRIGHT - BY TYCO ELECTRONICS CORPORATION. ALL RIGHTS RESERVED.

| | | | | | | | |
|-----|------|-----------|-----|------------------------------|---------|-----|------|
| LOC | DIST | REVISIONS | | | | | |
| GP | 00 | P | LTR | DESCRIPTION | DATE | DWN | APVD |
| | | | 0 | RELEASED PER EC 0S13-0207-05 | 27JUN05 | RR | JG |



1 ZINC PLATED .000200-.000400 THICK,
 CLEAR CHROMATE COATING.

| | |
|--------|-----------|
| 1 | 5745579-3 |
| FINISH | PART NO |

| | | | | | | | |
|--|--|--|--------------|------------------|---|------------|---------------------------------------|
| THIS DRAWING IS A CONTROLLED DOCUMENT. | | DWN | R.RICHARDSON | 26JUN05 | Tyco Electronics Corporation Harrisburg, Pa 17105-3608 | | |
| DIMENSIONS: INCHES | | CHK | C.ROHDE | 27JUN05 | | | |
| | | TOLERANCES UNLESS OTHERWISE SPECIFIED: | | APVD | M.WALMSLEY | 27JUN05 | SLIDELATCH SCREW, #2-56, AMPLIMITE |
| MATERIAL | | FINISH | | PRODUCT SPEC | - | | |
| COLD ROLLED STEEL | | SEE TABLE | | APPLICATION SPEC | - | | |
| | | | | WEIGHT | - | | |
| | | | | SIZE | CAGE CODE | DRAWING NO | RESTRICTED TO |
| | | | | | A3 | 00779 | C-5745579 |
| | | | | CUSTOMER DRAWING | SCALE | 10:1 | SHEET 1 OF 1 REV 0 |

单击下面可查看定价，库存，交付和生命周期等信息

[>>TE Connectivity\(泰科\)](#)