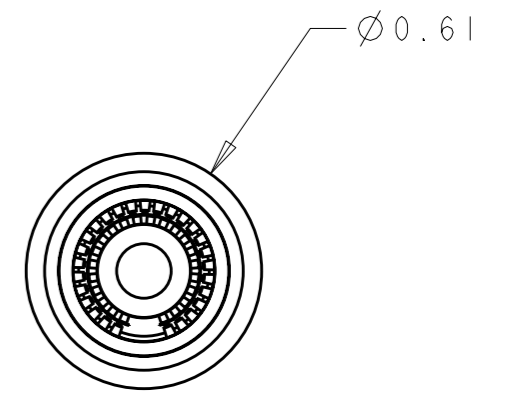
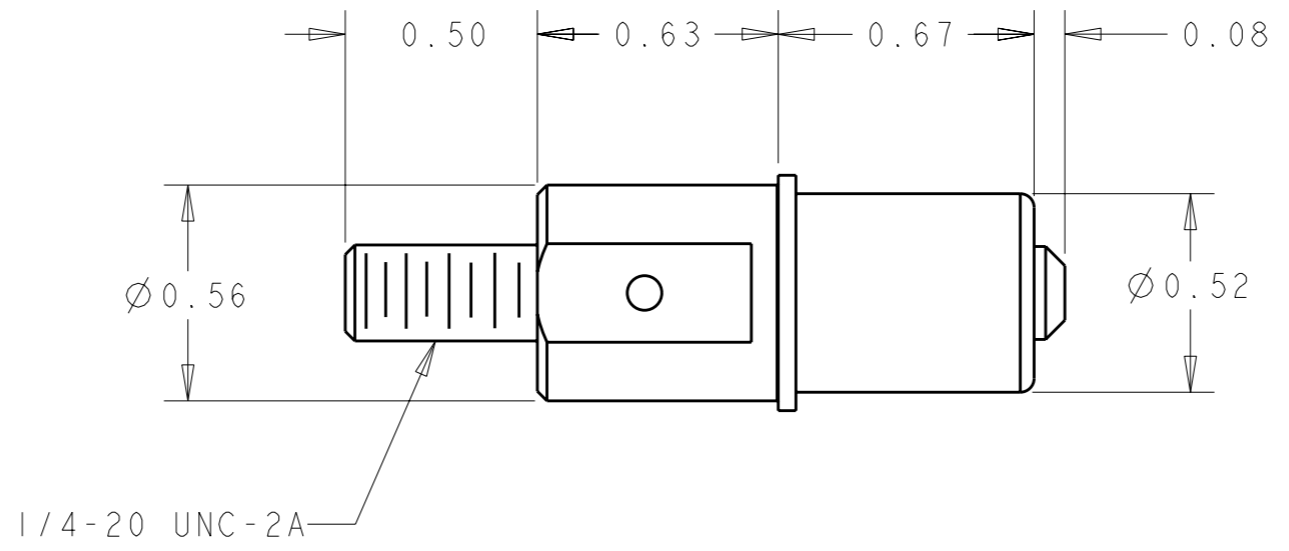
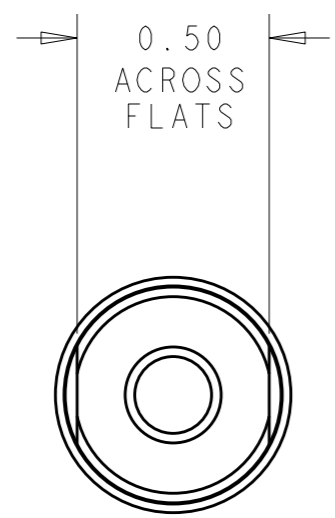


THIS DRAWING IS UNPUBLISHED. RELEASED FOR PUBLICATION 20  
 © COPYRIGHT 20 BY TYCO ELECTRONICS CORPORATION. ALL RIGHTS RESERVED.

| LOC | DIST | REVISIONS   |             |           |       |
|-----|------|-------------|-------------|-----------|-------|
| P   | LTR  | DESCRIPTION | DATE        | DWN       | APVD  |
| -   | -    | A           | NEW RELEASE | 22OCT2008 | CR DO |
|     |      |             |             |           |       |
|     |      |             |             |           |       |



- PART NUMBER CHANGES AND/OR DESIGN CHANGES AFFECTING INTERCHANGEABILITY REQUIRE PRIOR TYCO ELECTRONICS APPROVAL AND AUTHORIZATION BY REVISION TO THIS DRAWING
- ITEMS PROVIDED TO THIS SPECIFICATION TO BE PERMANENTLY IDENTIFIED PER THE FOLLOWING IDENTIFIER LABEL

TYCO ELECTRONICS P/N: XXXXXXXX-X  
 DATE CODE (e.g. 0106): YEAR WEEK

3 MATERIALS:  
 CONTACTS: COPPER ALLOY  
 CROWN BANDS: COPPER ALLOY

4 FINISHES:  
 CONTACTS: SILVER PLATE: .000200/.000300 THK OVER  
 NICKEL PLATE: .000040 MIN THK  
 CROWN BANDS: GOLD: .000040 MIN THK OVER  
 NICKEL PLATE: .000040 THK

THIS DRAWING IS A CONTROLLED DOCUMENT FOR TYCO ELECTRONICS CORPORATION  
 IT IS SUBJECT TO CHANGE AND THE CONTROLLING ENGINEERING ORGANIZATION  
 SHOULD BE CONTACTED FOR THE LATEST REVISION.

|                       |  |                                        |       |
|-----------------------|--|----------------------------------------|-------|
| DIMENSIONS:<br>INCHES |  | TOLERANCES UNLESS OTHERWISE SPECIFIED: |       |
|                       |  | 0 PLC                                  | ±.    |
|                       |  | 1 PLC                                  | ±.    |
|                       |  | 2 PLC                                  | ±.01  |
|                       |  | 3 PLC                                  | ±.006 |
| MATERIAL              |  | FINISH                                 |       |
| -                     |  | -                                      |       |

|                  |              |           |
|------------------|--------------|-----------|
| DWN              | C. ROHLER    | 22OCT2008 |
| CHK              | D. ORRIS     | 22OCT2008 |
| APVD             | M. PERCHERKE | 22OCT2008 |
| PRODUCT SPEC     | -            |           |
| APPLICATION SPEC | -            |           |
| WEIGHT           | -            |           |
| CUSTOMER DRAWING |              |           |

|                                                                           |           |                    |               |
|---------------------------------------------------------------------------|-----------|--------------------|---------------|
| AS SHOWN                                                                  |           | 6648420-1          |               |
| DESCRIPTION                                                               |           | PART NO.           |               |
| Tyco Electronics<br>Harrisburg, PA 17105-3608                             |           |                    |               |
| NAME: CONTACT, SOCKET, SIZE #0<br>1/4-20 EXT THD, DOUBLE CROWN<br>DRAWERS |           |                    |               |
| SIZE                                                                      | CAGE CODE | DRAWING NO         | RESTRICTED TO |
| A3                                                                        | 00779     | C-6648420          | -             |
| SCALE: 2:1                                                                |           | SHEET 1 OF 1 REV A |               |

单击下面可查看定价，库存，交付和生命周期等信息

[>>TE Connectivity\(泰科\)](#)