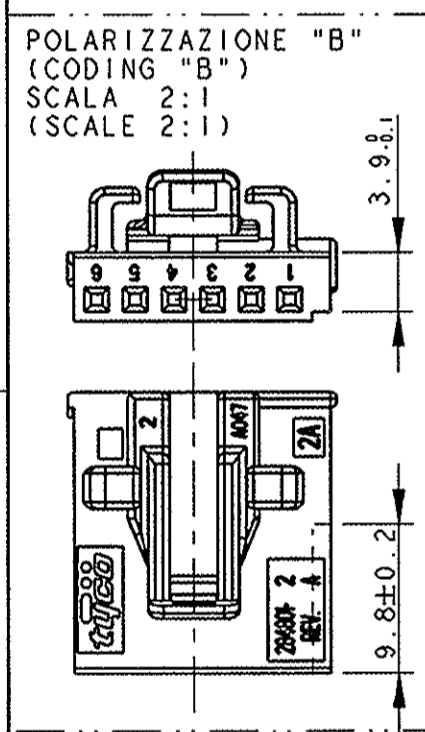
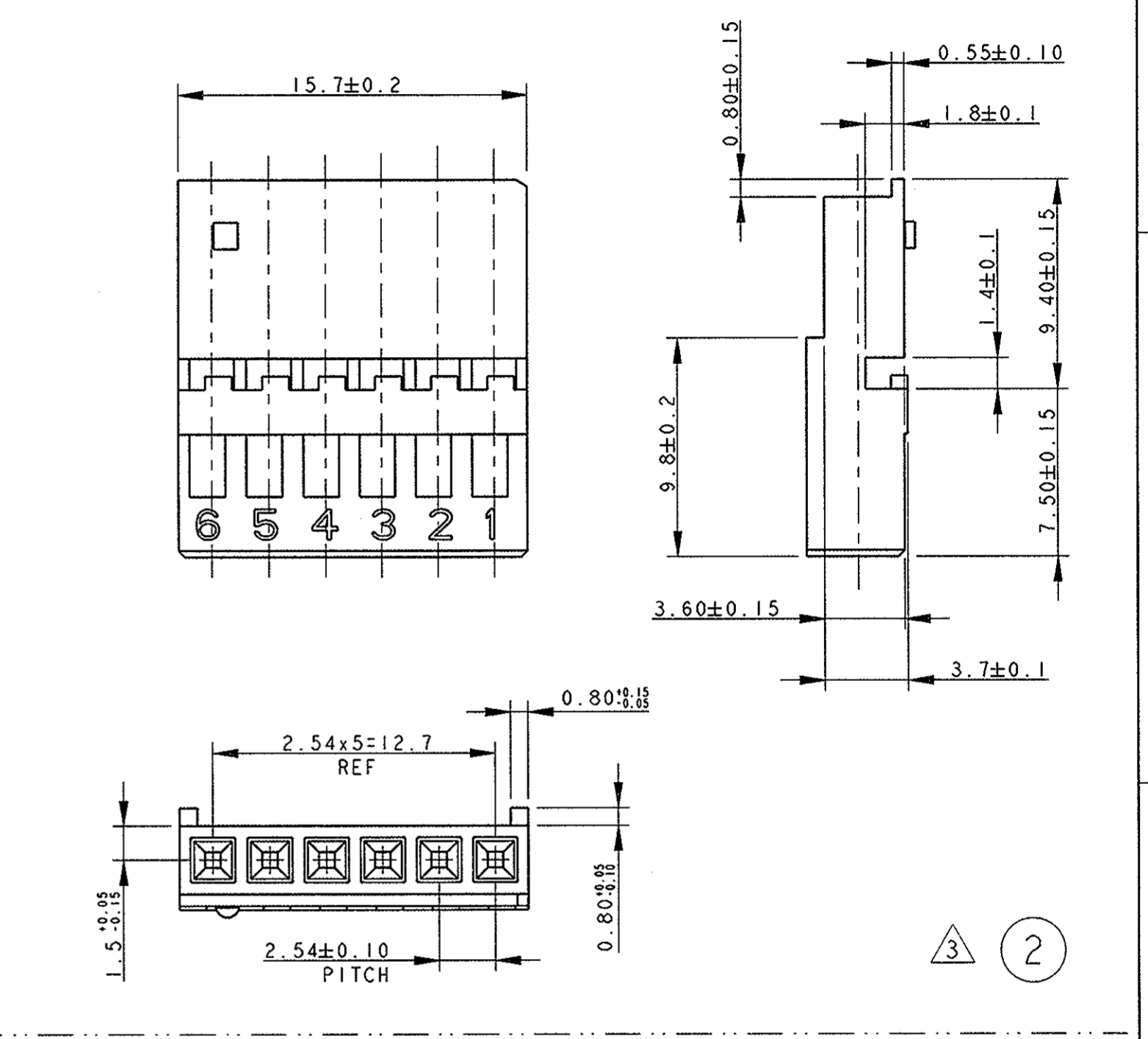
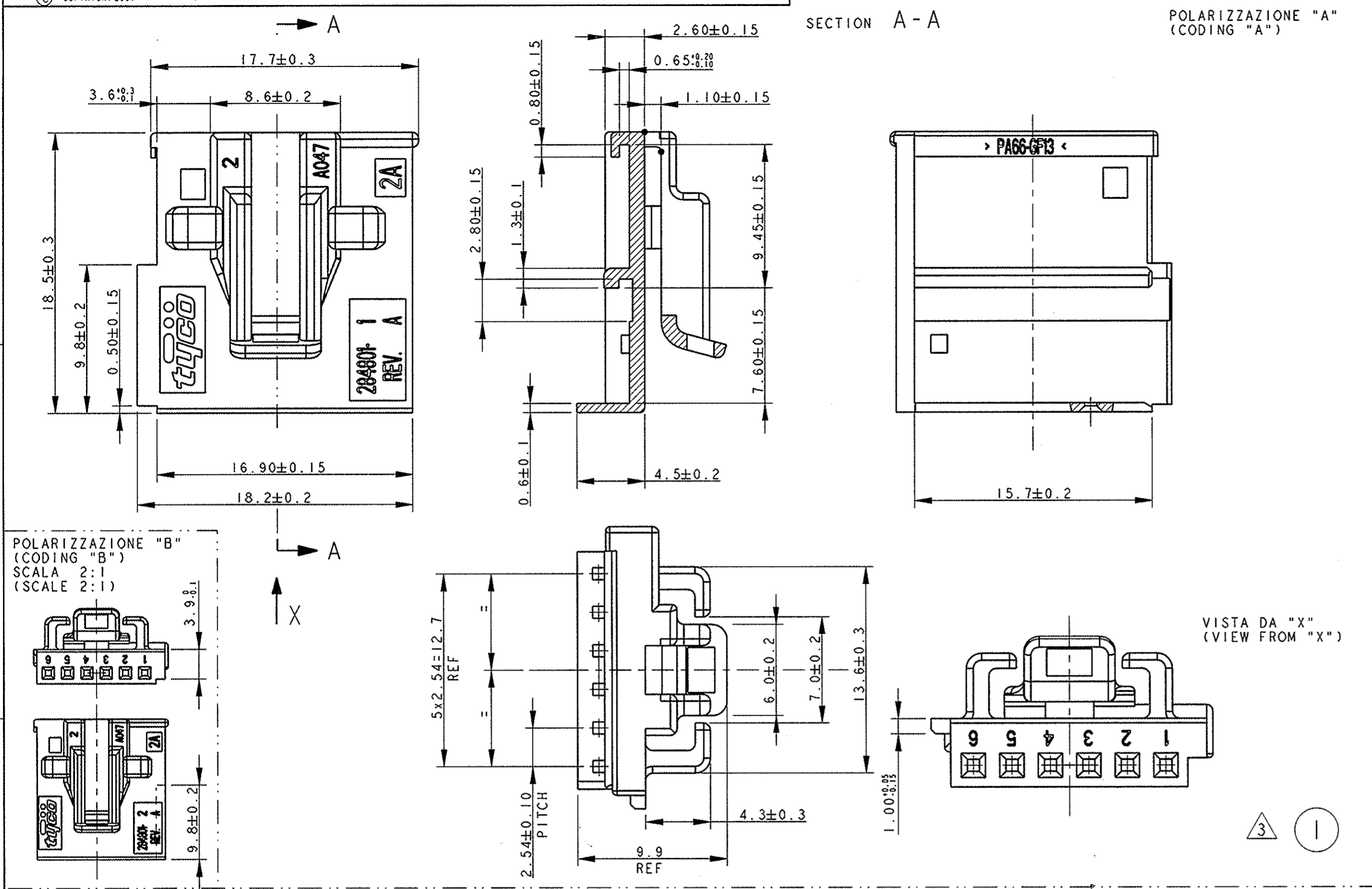
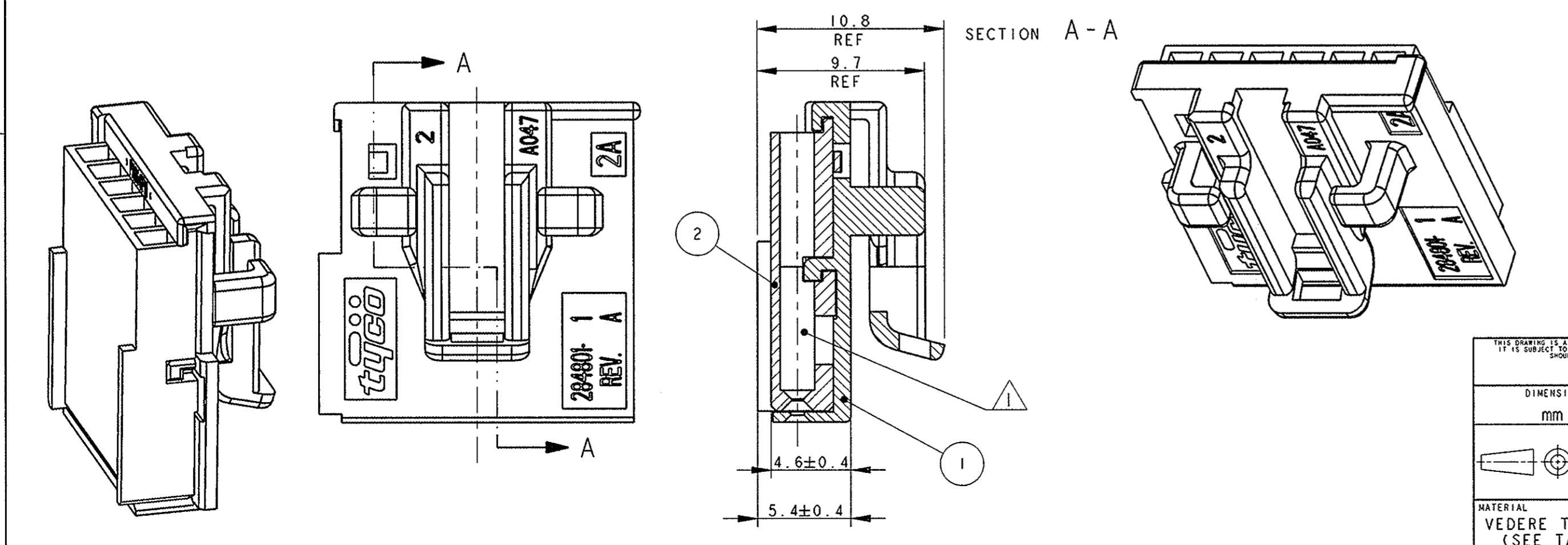


LOC	DIST	REVISIONS			
P	LTR	DESCRIPTION	DATE	DWN	APVD
A		FIRST ISSUE WITH ET00-0080-02 PROP. No. WAS 02-51089	16APR2002	P. Z.	R. M.
A1		ADDED SHEET 3 OF 3 WITH ET00-0204-02	14OCT2002	M. P.	R. M.
A2		RELEASED FOR PRODUCTION WITH ET00-0223-02	12DEC2002	P. Z.	R. M.
A3		REVISED PER ET00-0140-04	26JUL2004	P. Z.	R. M.



LE VISTE MOSTRANO I DUE COMPONENTI ACCOPPIATI (P/N 284802-1)  
 (VIEWS SHOW TWO MATED COMPONENTS P/N 284802-1)

- 1) CAVITA' ADATTA PER CONTATTO MOS P/N 928999-... E P/N 963715-...  
 (CAVITY SUITABLE FOR MOS CONTACT P/N 928999-... AND P/N 963715-...)
- 2) PER IL DISEGNO DELLA CONTROPARTE VEDERE FOGLIO 2 DI 3  
 (FOR COUNTERPART DETAIL SEE SHEET 2 OF 3)
- 3) STATO DI FORNITURA: I DUE COMPONENTI SONO VENDUTI IN KIT,  
 IN PARI QUANTITA' NELLA STESSA SCATOLA  
 (SUPPLYING CONDITION: TWO COMPONENTS ARE SOLD IN KIT,  
 SAME QUANTITY IN THE SAME CARTON BOX)



CODING	COLORE (COLOUR)	MATERIALE (MATERIAL)	DESCRIZIONE (DESCRIPTION)	COMPONENTE No (ITEM No)	NUMERO (PART NUMBER)
B	NERO (BLACK)	PBT - GF	BLOCCETTO PORTAFEMMINE (SOCKET HOUSING)	2	284802-2
B	MARRONE (BROWN)	PA 6.6 - GF	AGGANCIO SECONDARIO (SECONDARY LOCK)	1	284802-2
A	NERO (BLACK)	PBT - GF	BLOCCETTO PORTAFEMMINE (SOCKET HOUSING)	2	284802-1
A	NERO (BLACK)	PA 6.6 - GF	AGGANCIO SECONDARIO (SECONDARY LOCK)	1	284802-1

THIS DRAWING IS A CONTROLLED DOCUMENT FOR TYCO ELECTRONICS CORPORATION IF IT IS SUBJECT TO CHANGE AND THE CONTROLLING ENGINEERING ORGANIZATION SHOULD BE CONTACTED FOR THE LATEST REVISION.

DIMENSIONS: mm

TOLERANCES UNLESS OTHERWISE SPECIFIED:

0 PLC	±
1 PLC	±0.3
2 PLC	±
3 PLC	±
4 PLC	±
ANGLES	±1°
FINISH	---

MATERIAL: VEDERE TABELLA (SEE TABLE)

DWN: P. ZAMPIROLO 06 JUL 2001  
 CHK: R. MARTINI 06 JUL 2001  
 APVD: A. GENTA 06 JUL 2001

tyco Electronics AMP Italia S.p.A.  
 C.so F.lli Cervi, 15 - Collegno (TO)

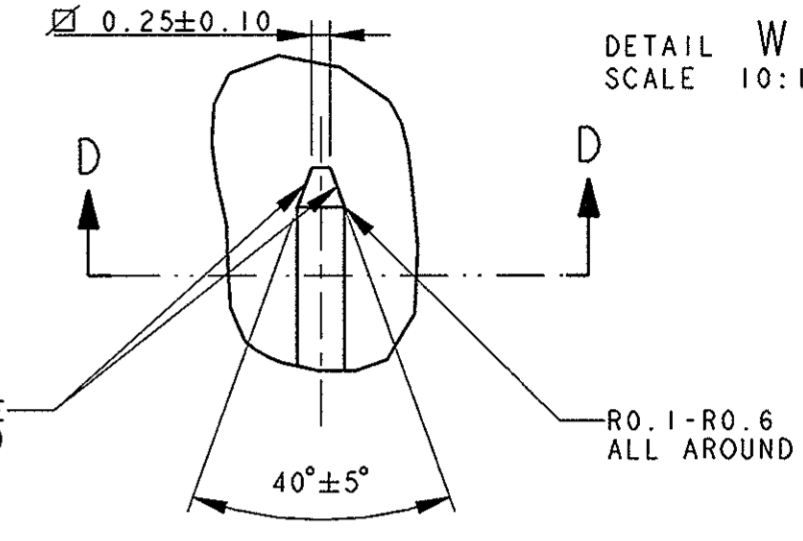
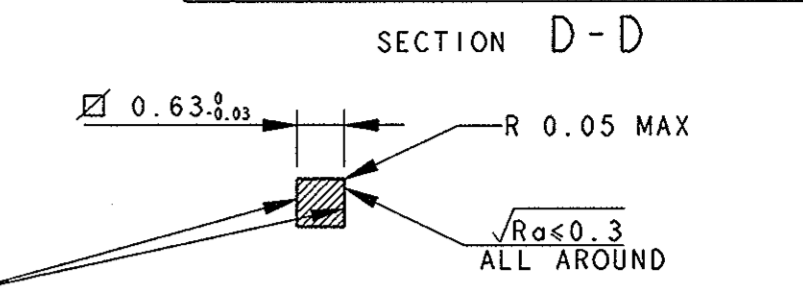
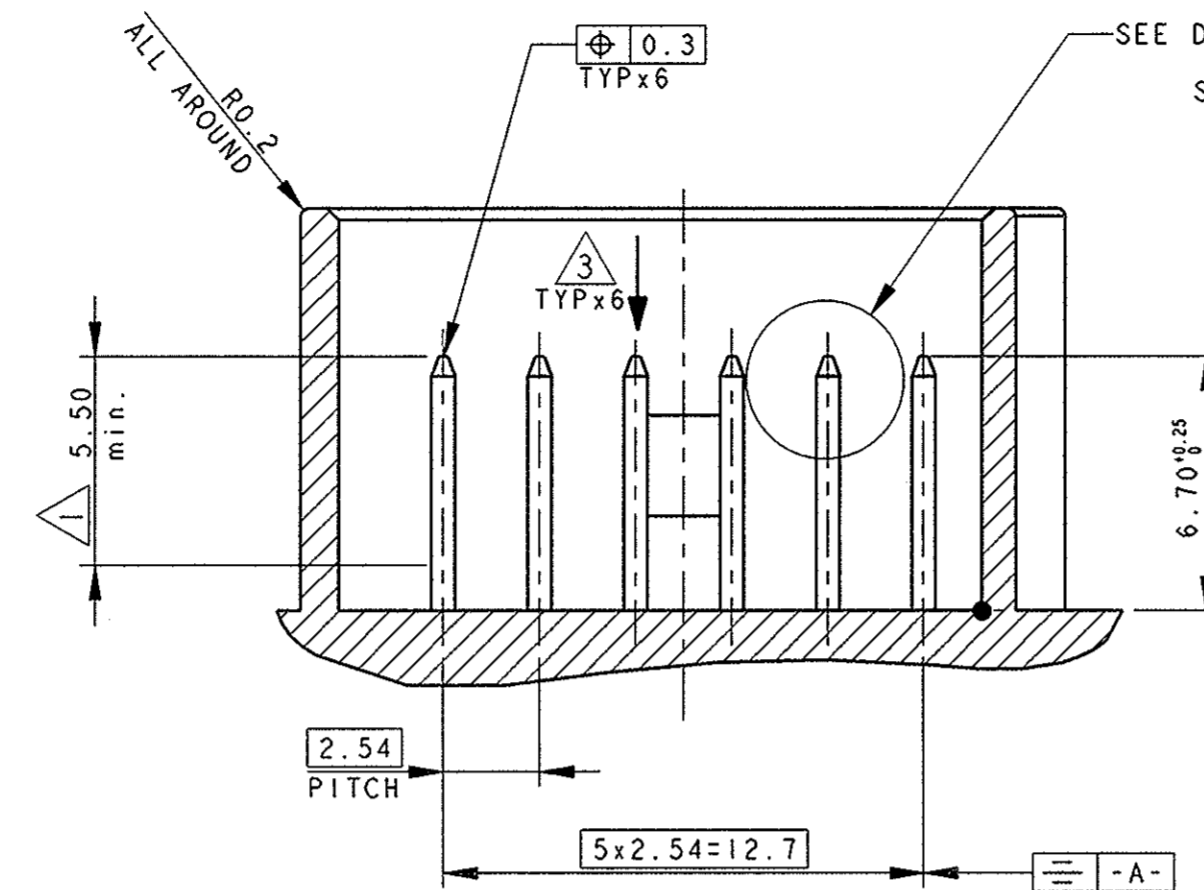
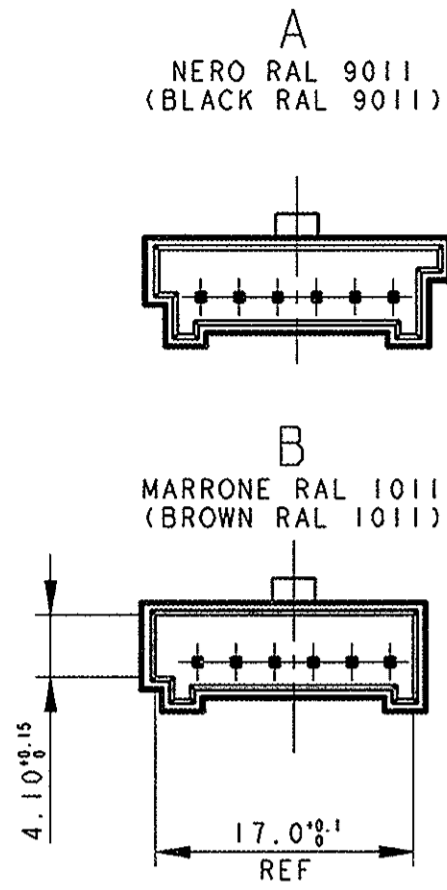
NAME: SOCKET HOUSING, 6 POSITIONS KIT FOR MOS CONTACTS

SIZE: A2 CAGE CODE: 00779 DRAWING NO: C-284802 RESTRICTED TO: -

CUSTOMER DRAWING SCALE: 5:1 SHEET 1 OF 3 REV: A3

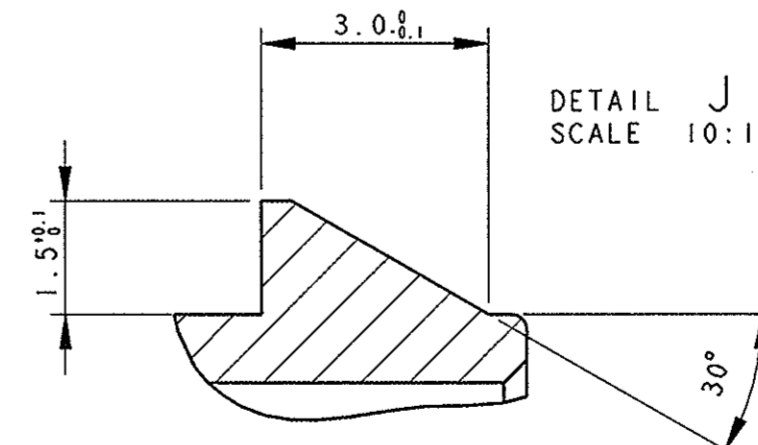
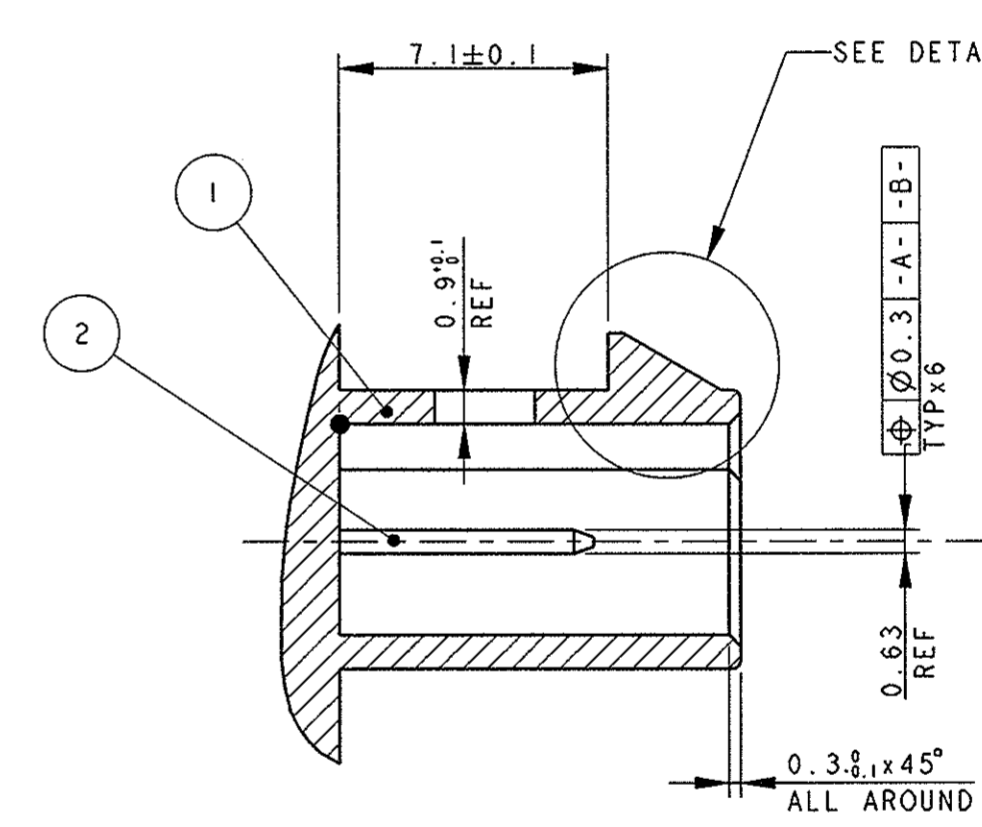
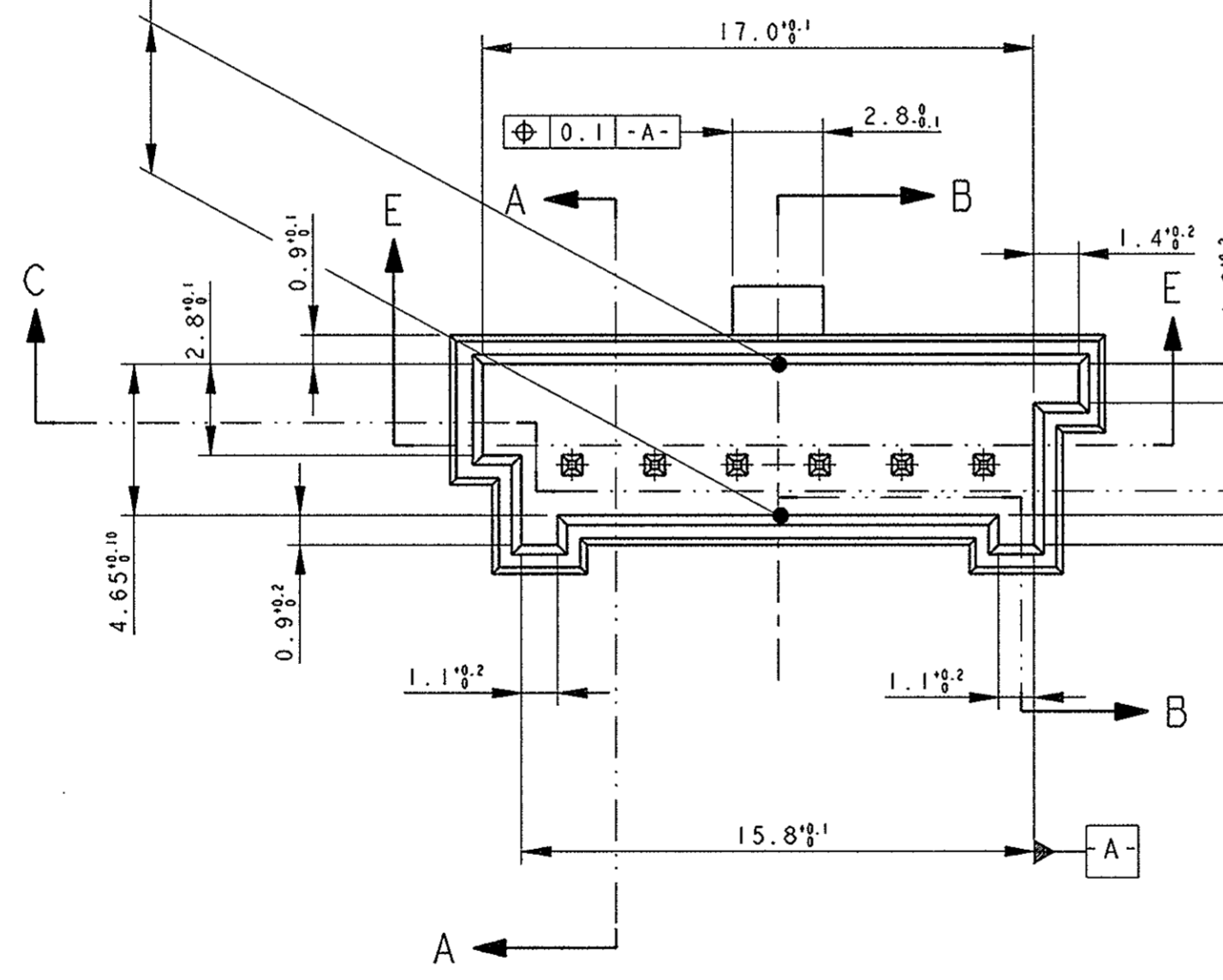
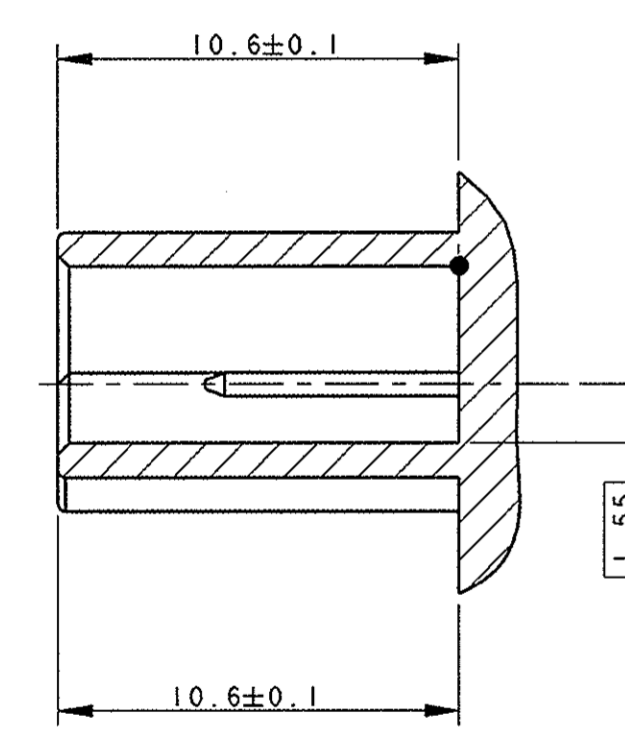
LOC	DIST	REVISIONS			
P	LTR	DESCRIPTION	DATE	DWN	APVD
A1	-	SEE SHEET 1			

POLARIZZAZIONI (CODINGS)  
 SCALA 2:1 (SCALE)

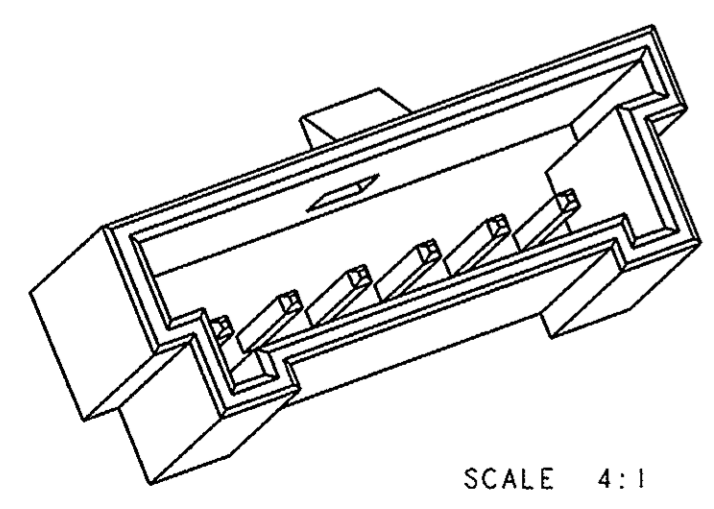


CONIARE LE BAVE DI TRACIATURA (NO TRIMMING BURRS ADMITTABLE)

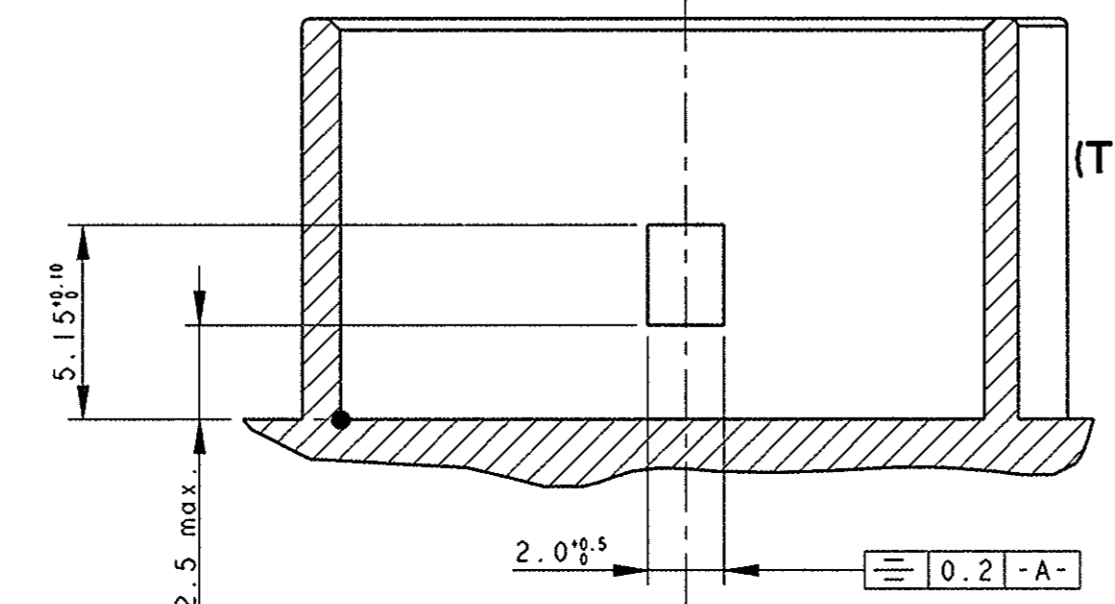
NON SONO AMMESSE BAVE (NO BURRS)



- 1) 1-3 μm Sn (O SnPb 93/7) CON SOTTOSTRATO DI Ni SPESSORE 1.3-2.2 μm (1 μm TO 3 μm Sn (OR SnPb 93/7) OVER 1.3 μm TO 2.2 μm Ni)
- 2) POLARIZZAZIONE "A" COME INDICATO (CODING "A" AS SHOWN)
- 3) FORZA DI RITENZIONE DEL SINGOLO CONTATTO 40N min. (SINGLE PIN CONTACT RETENTION FORCE 40N min)



SCALE 4:1



DETTAGLI CONTROPARTE HEADER (TAB HEADER COUNTERPART DETAILS)

DIMENSIONS:		TOLERANCES UNLESS OTHERWISE SPECIFIED:		DWN		tyco Electronics	
mm							
0 PLC	±0.3	06 JUL 2001	P. ZAMPIROLO	tyco Electronics AMP Italia S.p.A.	C.so F.lli Cervi, 15 - Collegno (TO)		
1 PLC	±0.1	06 JUL 2001	R. MARTINI	SOCKET HOUSING, 6 POSITIONS FOR MQS CONTACTS KIT			
2 PLC	±0.05	06 JUL 2001	A. GENTA	SIZE	CAGE CODE	DRAWING NO	RESTRICTED TO
3 PLC	±			A2	00779	C-284802	
4 PLC	±			WEIGHT			
ANGLES	±1°			CUSTOMER DRAWING			
FINISH				SCALE	SHEET	OF	REV
VEDERE TABELLA (SEE TABLE)				5:1	2	3	A3

THIS DRAWING IS UNPUBLISHED. RELEASED FOR PUBLICATION 2002  
 © COPYRIGHT 2002 BY TYCO ELECTRONICS CORPORATION. ALL RIGHTS RESERVED.

LOC	DIST	REVISIONS			
P	LTR	DESCRIPTION	DATE	DWN	APVD
A1	-	SEE SHEET 1	-	-	-

SECTION C-C

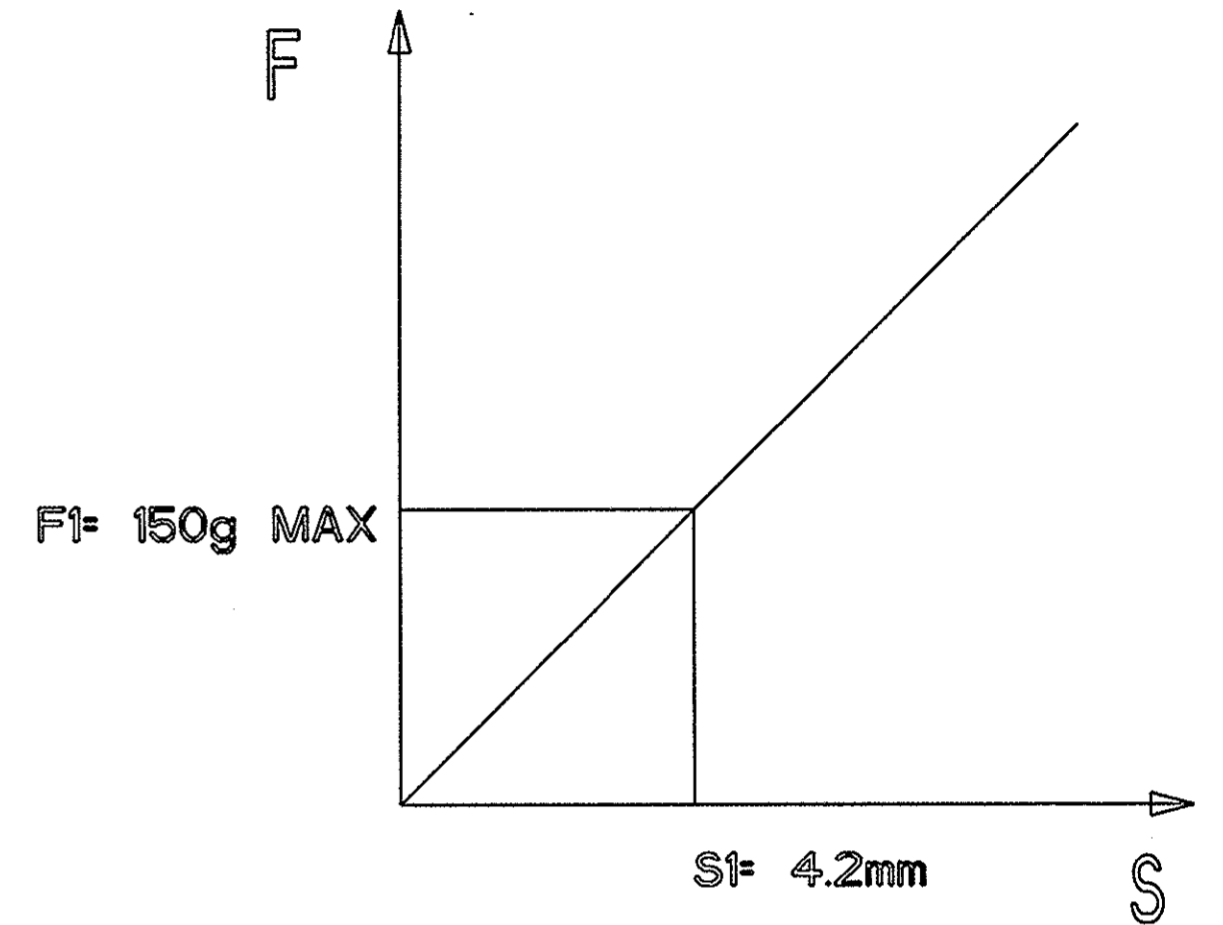
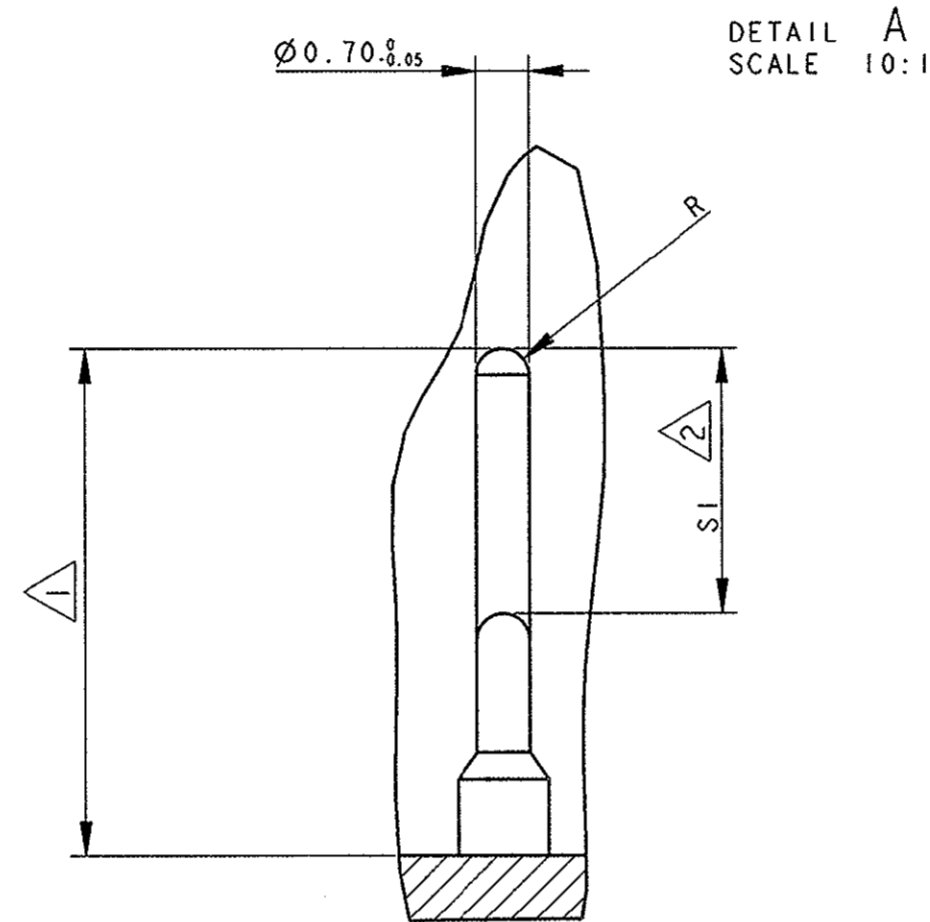
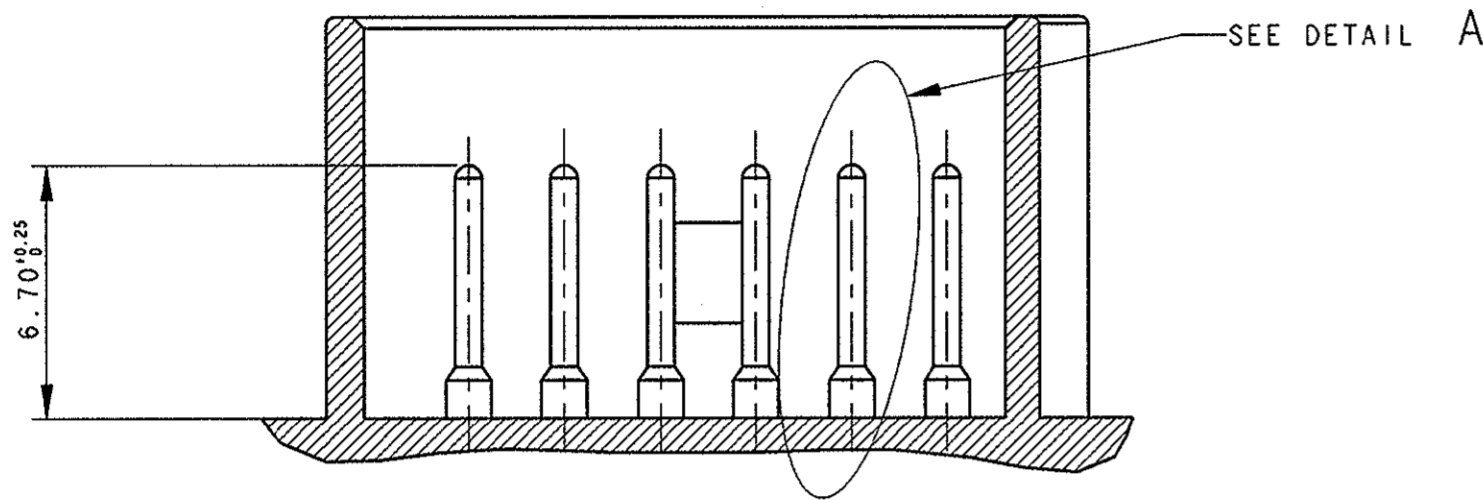
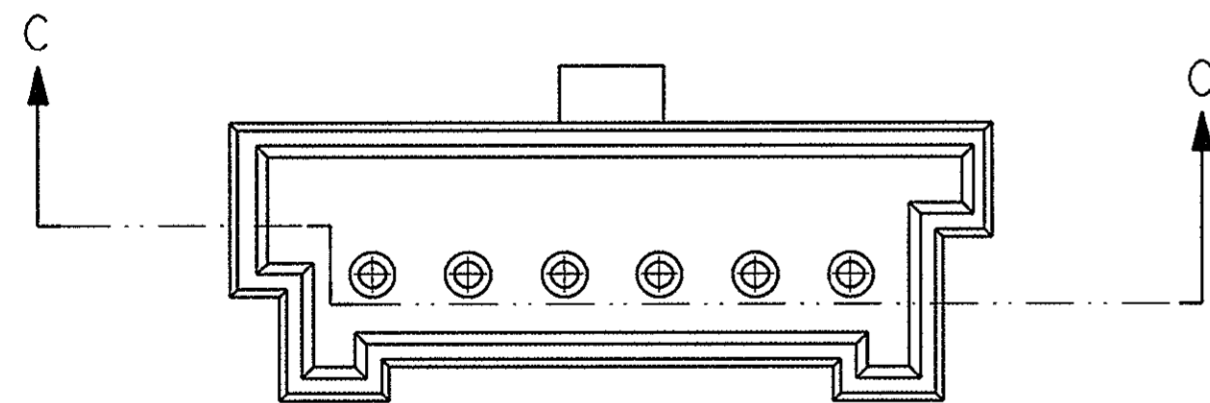


DIAGRAMMA CARICO/CORSA DEL PIN CON EVIDENZIATA CONDIZIONE PRESCRITTA DI LAVORO



- 1) PIN IN POSIZIONE DI RIPOSO.
- 2) PIN IN POSIZIONE DI LAVORO.  
(A CONTATTO CON UN TERMINALE FEMMINA MQS)
- 3) MATERIALE PIN: LEGA Cu-Be CON FINITURA IN Au SU SOTTOSTRATO DI Ni.
- 4) PER LE DIMENSIONI MANCANTI FAR RIFERIMENTO AL FOGLIO 2 DI 3 DEL PRESENTE DISEGNO.

<small>THIS DRAWING IS A CONTROLLED DOCUMENT FOR TYCO ELECTRONICS CORPORATION IT IS SUBJECT TO CHANGE AND THE CONTROLLING ENGINEERING ORGANIZATION SHOULD BE CONTACTED FOR THE LATEST REVISION.</small>		DWN 30 SEPT 2002 P. ZAMPIROLO CHK 30 SEPT 2002 R. MARTINI APVD 30 SEPT 2002 A. GENTA	<b>tyco</b> <b>Electronics</b> tyco Electronics AMP Italia S.p.A. C.so F.lli Cervi, 15 - Collegno (TO)
DIMENSIONS: mm	TOLERANCES UNLESS OTHERWISE SPECIFIED: 0 PLC ±0.3 1 PLC ±0.1 2 PLC ±0.05 3 PLC ± 4 PLC ± ANGLES ±1° FINISH -	NAME SOCKET HOUSING, 6 POSITIONS FOR MQS CONTACTS KIT	SIZE A2 CAGE CODE 00779 DRAWING NO. C-284802 RESTRICTED TO -
MATERIAL -		WEIGHT - CUSTOMER DRAWING	SCALE 5:1 SHEET 3 OF 3 REV A3

单击下面可查看定价，库存，交付和生命周期等信息

[>>TE Connectivity\(泰科\)](#)