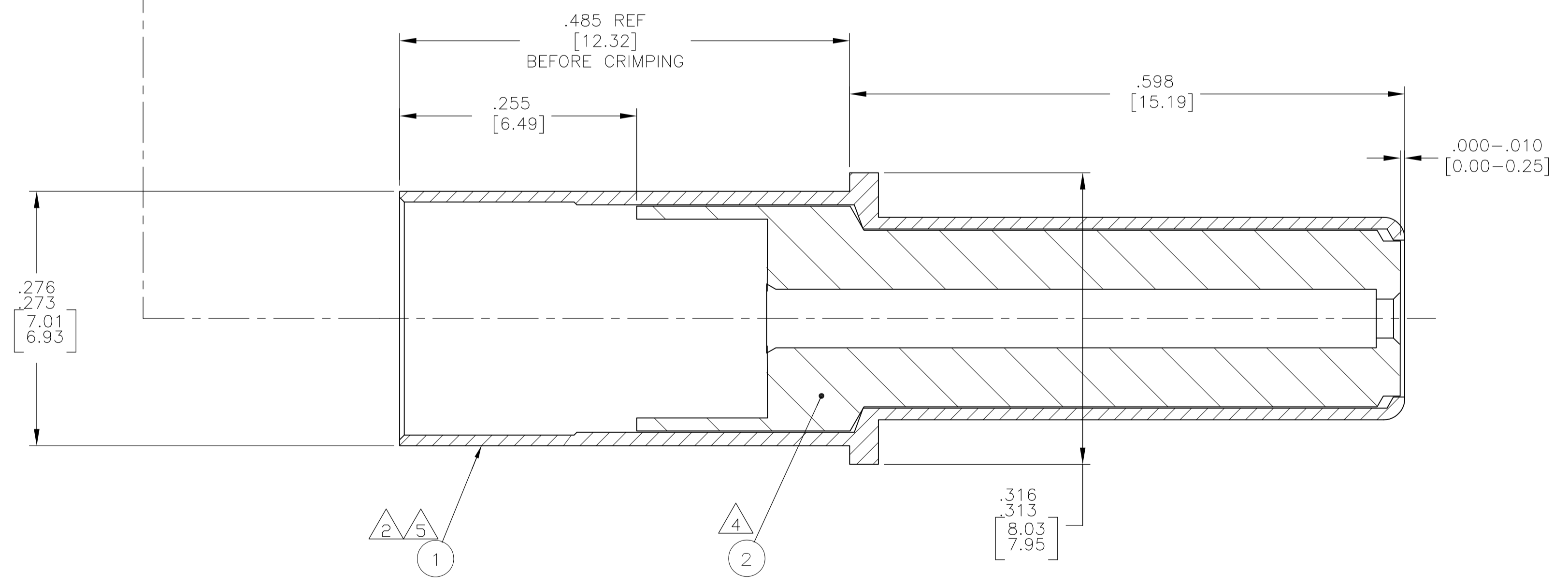
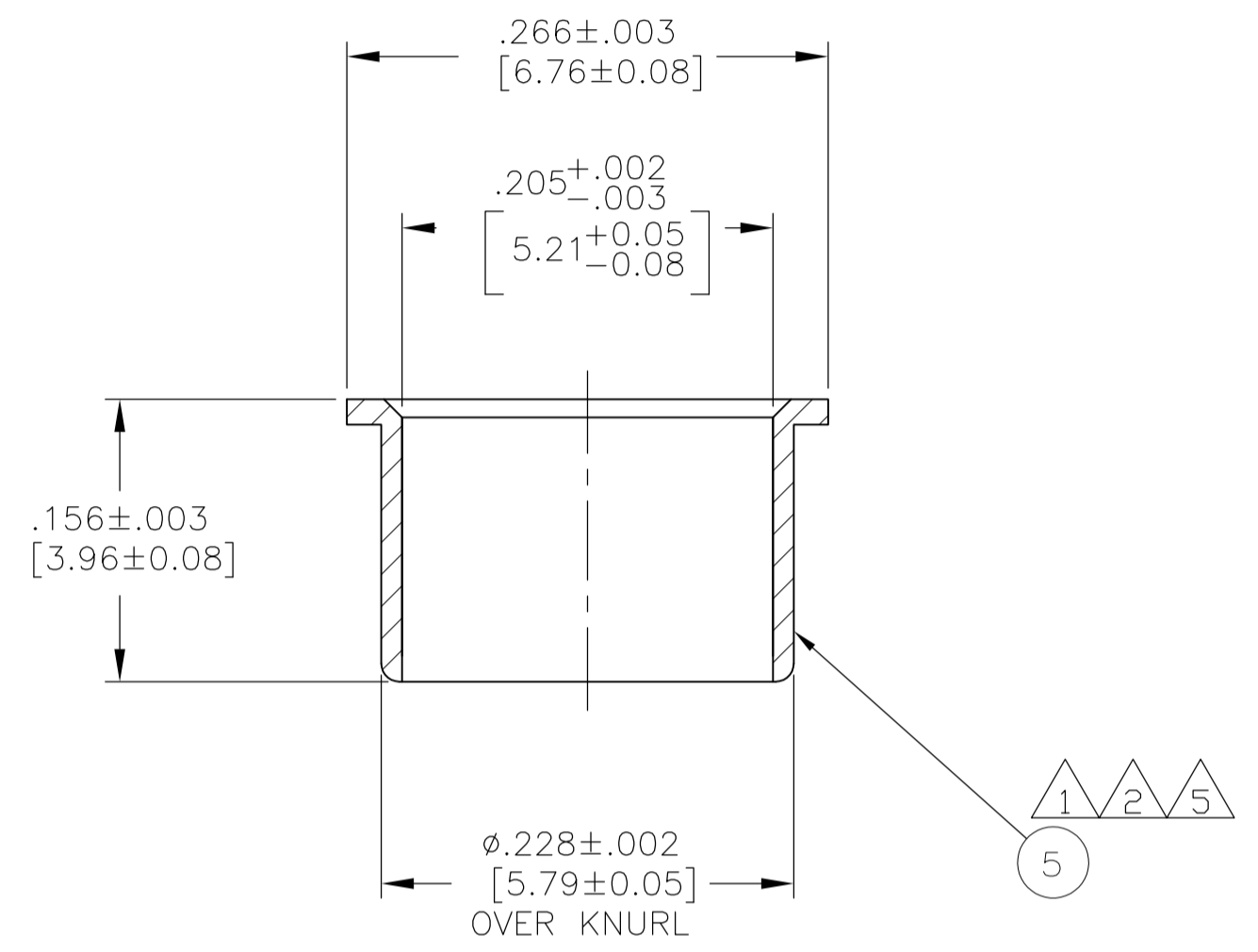
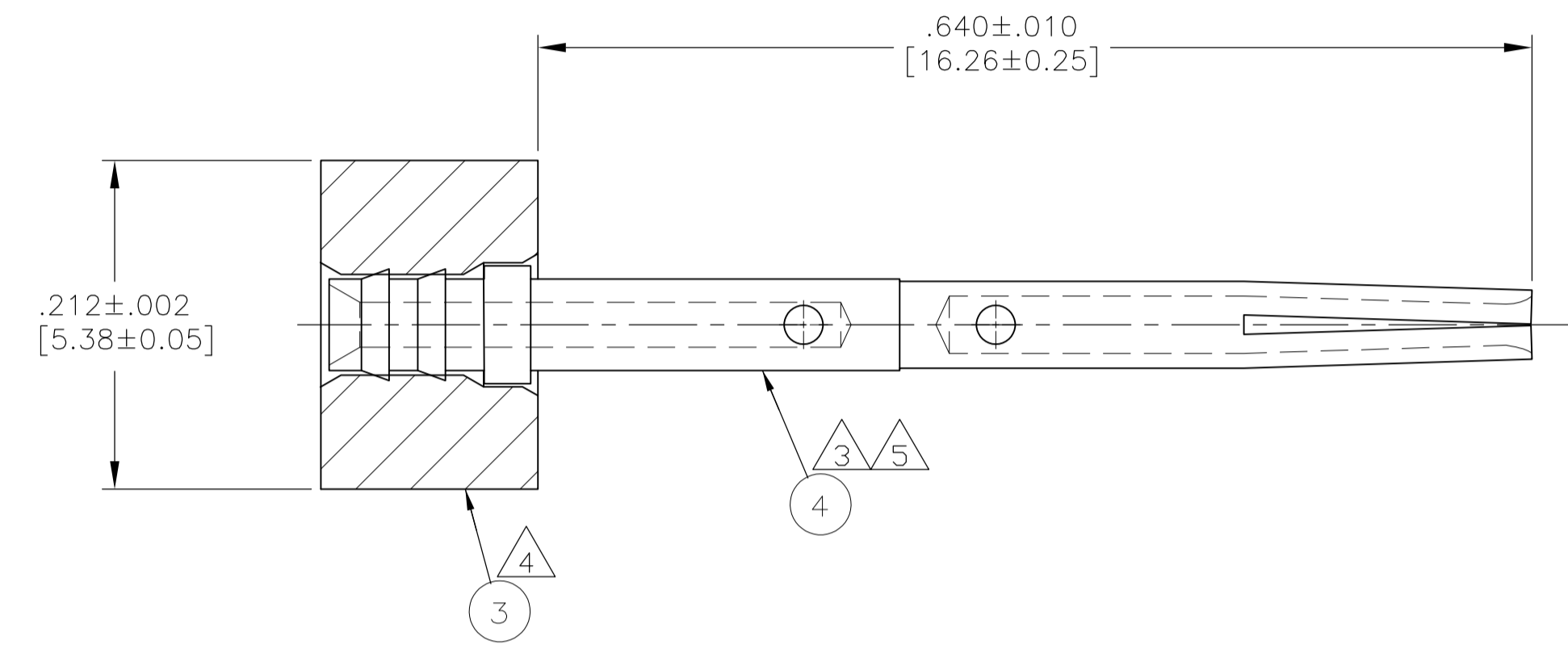


LOC		DIST		REVISIONS			
P	LTR	DESCRIPTION	DATE	DNW	APVD		
A		RELEASED	1-26-15	CT	WM		

- 1 160 DP. FULL DIAMOND KNURL OVER THIS LENGTH.
- 2 MAT'L: BRASS PER ASTM-B-16
- 3 MAT'L: BERYLLIUM COPPER PER ASTM-B-196.
- 4 MAT'L: PTFE PER ASTM-D-1710.
- 5 FINISH: GOLD PLATE PER MIL-G-45204, TYPE 1, GRADE C, CLASS 1 OVER NICKEL .000050 [0.0013] THK PER QQ-N-290, CLASS 2.



INNER FERRULE	5
CONTACT,CENTER	4
DIELECTRIC,OUTER	3
DIELECTRIC,FRONT	2
SHELL,OUTER,PIN,SIZE 8	1
DESCRIPTION	ITEM NO

1218689-1  
PART NUMBER

THIS DRAWING IS A CONTROLLED DOCUMENT.		DNW	1-26-15	C.C.THOMAS	
DIMENSIONS: INCHES [mm]		CHK	1-26-15	W.MOYER	
TOLERANCES UNLESS OTHERWISE SPECIFIED:		APVD	1-26-15	W.MOYER	
0 PLC	± -	NAME			
1 PLC	± -	CONTACT ASSY,SIZE 8,ARINC-COAX			
2 PLC	± -	APPLICATION SPEC			
3 PLC	± .005 [0.13]	SIZE			
4 PLC	± -	CAGE CODE			
ANGLES	± -	DRAWING NO			
MATERIAL SEE CALLOUTS		WEIGHT		A1 00779	
		CUSTOMER DRAWING		SCALE 10:1	
				SHEET 1 OF 1	
				REV A	

单击下面可查看定价，库存，交付和生命周期等信息

[>>TE Connectivity\(泰科\)](#)