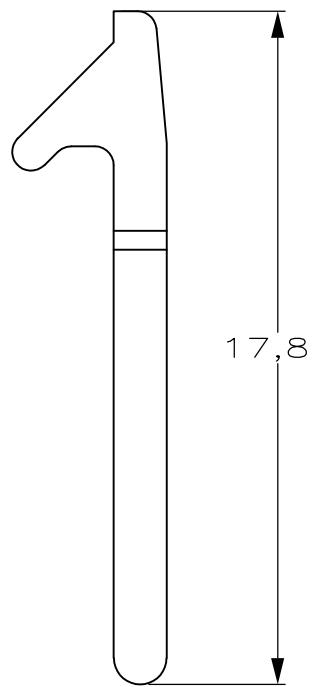
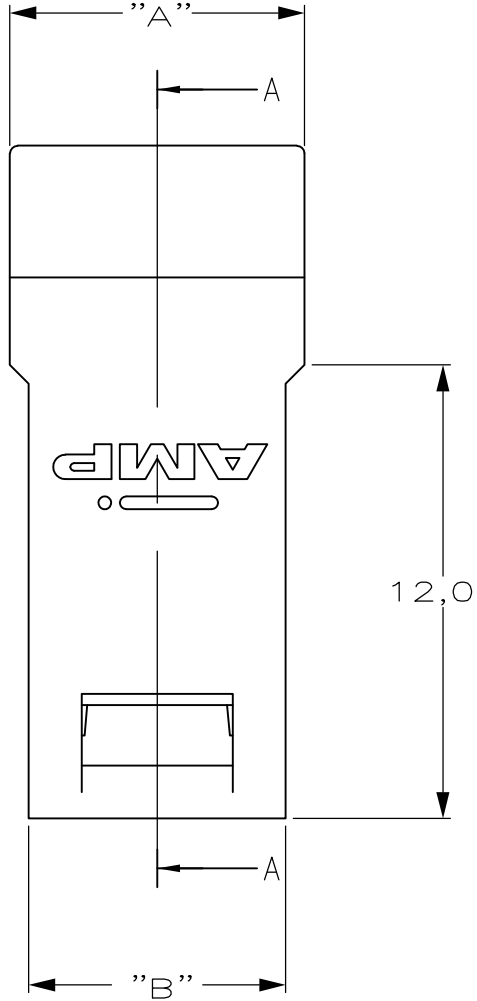
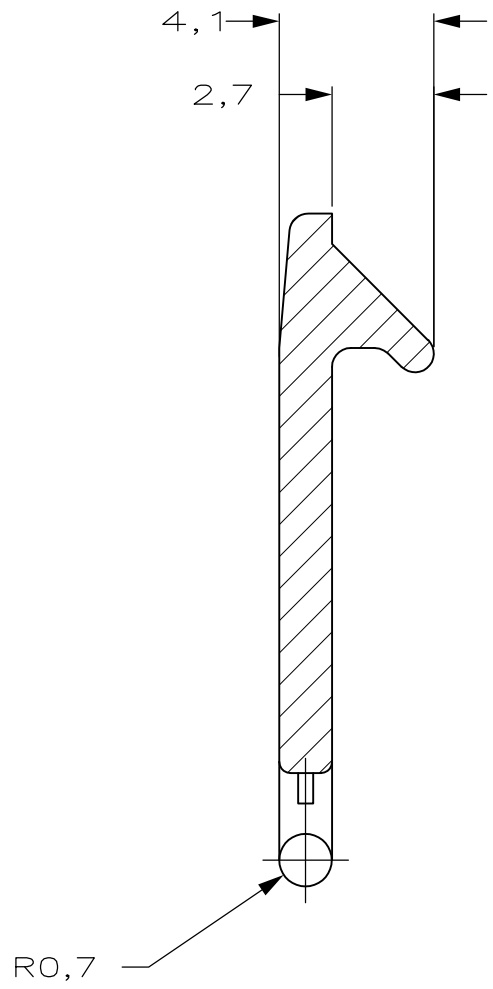


THIS DRAWING IS UNPUBLISHED. RELEASED FOR PUBLICATION
 © COPYRIGHT BY TYCO ELECTRONICS CORPORATION. ALL RIGHTS RESERVED.

LOC	DIST	REVISIONS			
P	LTR	DESCRIPTION	DATE	DWN	APVD
	C	SR10-0031-03	30-01-03	DP	-
	D	ECR-10-019054	15SEP10	DP	MQW

SECTION A-A



- NOTES:
1. MATERIAL: GLASFILLED POLYESTER
COLOR : GRAY
 2. -2 VERSION AS SHOWN
 3. CAN ONLY BE USED IN COMBINATION WITH LIF VERSION CABLE CONNECTOR SHROUDS

4	6,8	7,8	352706-2
5	8,8	9,8	352706-1
POSITIONS	DIM "B"	DIM "A"	PARTNUMBER

THIS DRAWING IS A CONTROLLED DOCUMENT.		DWN Devos	30JAN2003	Tyco Electronics Corporation Oostkamp - BELGIUM	
DIMENSIONS: MM		CHK	-	NAME	
		APVD	-	Z-pack 2mm HM Latch for use with LIF Cable Connector Shroud	
TOLERANCES UNLESS OTHERWISE SPECIFIED:		PRODUCT SPEC	-	SIZE	CAGE CODE
0 PLC ± -		APPLICATION SPEC	-	DRAWING NO	RESTRICTED TO
1 PLC ± -		WEIGHT	-	A3	00779
2 PLC ± - ±0.2		C-352706			
3 PLC ± -		CUSTOMER DRAWING			
4 PLC ± -		SCALE	5:1	SHEET	1 OF 1
ANGLES ± -		REV	D		
FINISH					

单击下面可查看定价，库存，交付和生命周期等信息

[>>TE Connectivity\(泰科\)](#)