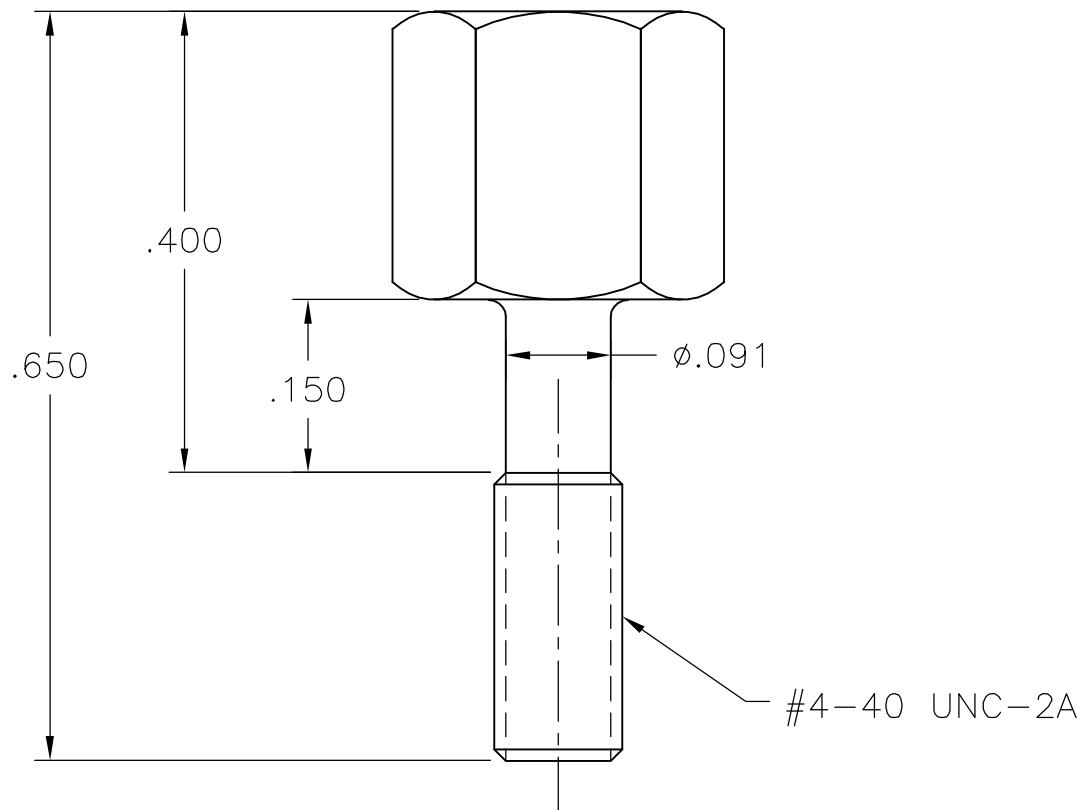


$\triangle 1$ MATERIAL: ZINC PLATE WITH YELLOW TRIVALENT CHROMATE OVER STEEL.

2. ALL DIMENSIONS SHOWN ARE FOR REFERENCE ONLY UNLESS OTHERWISE SPECIFIED.



$\triangle 1$	AS SHOWN, PLATED	5552657-1
FINISH	DESCRIPTION	PART NUMBER

DWN	25JAN07	MATERIAL	$\triangle 1$	HEAT TREAT	-
B. MCMASTER	25JAN07	Tyco Electronics Corporation Harrisburg, Pa 17105-3608			
CHK	W. MILLHIMES	Tyco Electronics Corporation Harrisburg, Pa 17105-3608			
APVD	W. MILLHIMES	Tyco Electronics Corporation Harrisburg, Pa 17105-3608			
NAME SCREW, MTG, HEX HD (FOR .062 BACK PANEL MTG)					
SCALE	SIZE	DRAWING NO	SHEET	OF	REV
4:1	A3	5552657	1	1	0

DIMENSIONS: INCHES	TOLERANCES UNLESS OTHERWISE SPECIFIED:
	0 PLC ± -
	1 PLC ± -
	2 PLC ± .02
	3 PLC ± .005
	4 PLC ± -
ANGLES ±	-
SURFACE TEXTURE	

P	LTR	REVISION RECORD	DATE	DWN	APVD
		RELEASED	25JAN07	BM	WM

LOC	GP
DIST	00

THIS INFORMATION IS CONFIDENTIAL AND PROPRIETARY TO TYCO ELECTRONICS CORPORATION AND ITS WORLDWIDE SUBSIDIARIES AND AFFILIATES. IT MAY NOT BE DISCLOSED TO ANYONE, OTHER THAN TYCO ELECTRONICS PERSONNEL, WITHOUT WRITTEN AUTHORIZATION FROM TYCO ELECTRONICS CORPORATION, HARRISBURG, PENNSYLVANIA USA.

D

C

B

A

8

6

5

4

3

2

1

单击下面可查看定价，库存，交付和生命周期等信息

[>>TE Connectivity\(泰科\)](#)