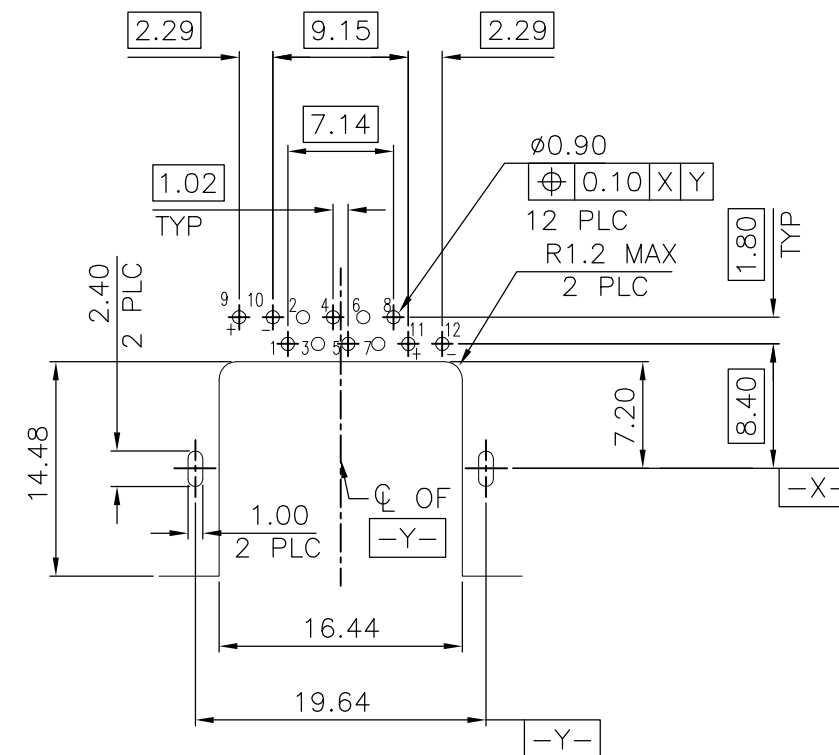
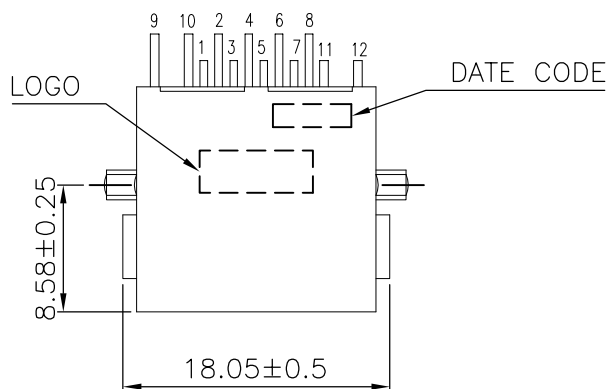
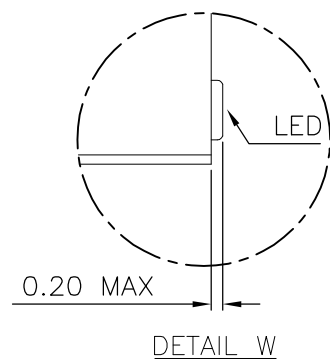
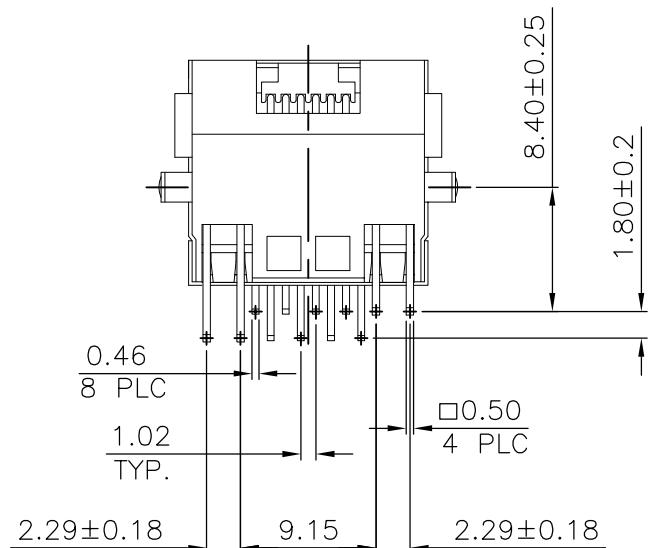
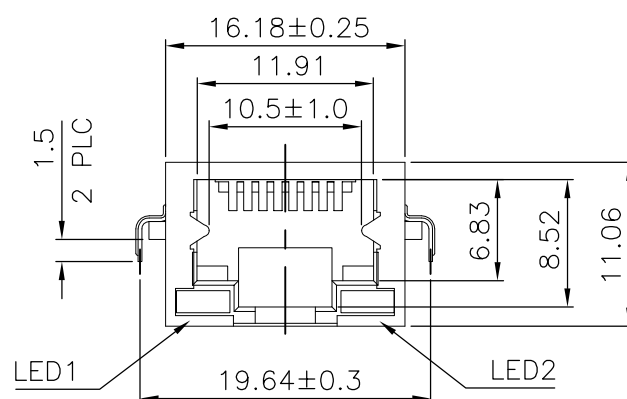
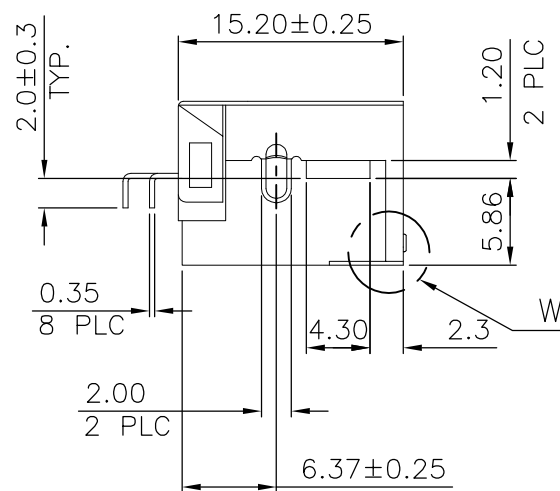


THIS DRAWING IS UNPUBLISHED. RELEASED FOR PUBLICATION  
 © COPYRIGHT BY TYCO ELECTRONICS CORPORATION. ALL RIGHTS RESERVED.

LOC	DIST	REVISIONS			
P	LTR	DESCRIPTION	DATE	DWN	APVD
DW	-	A5	ECO-14-012616	30DEC2014	LL SH



RECOMMENDED PCB LAYOUT (THICKNESS: 1.6mm)  
 DIMENSION TOLERANCE: (1 PLC: ±0.1 2PLC: ±0.05)



NOTE:

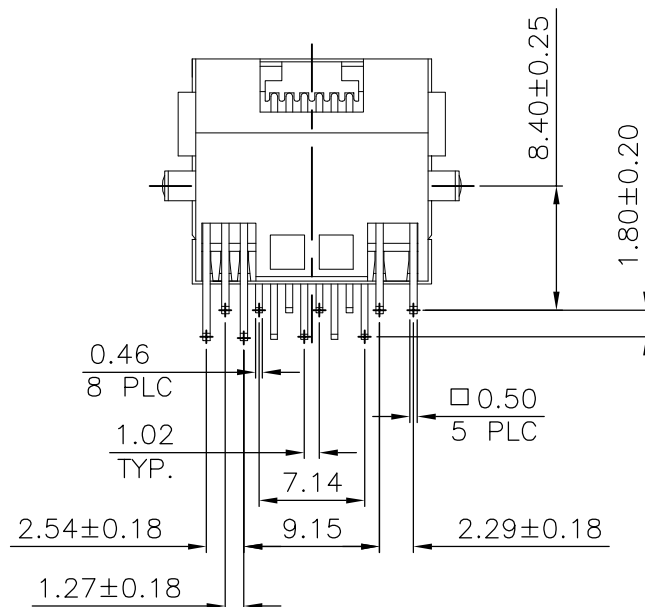
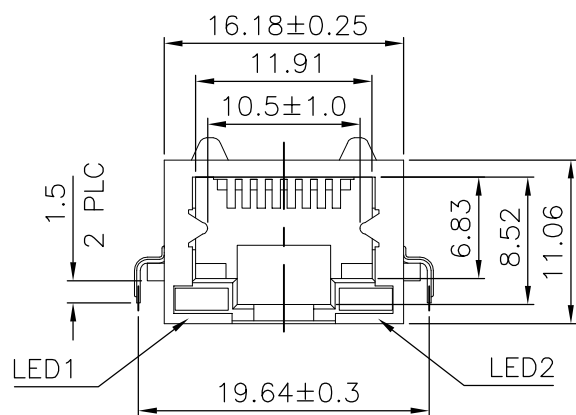
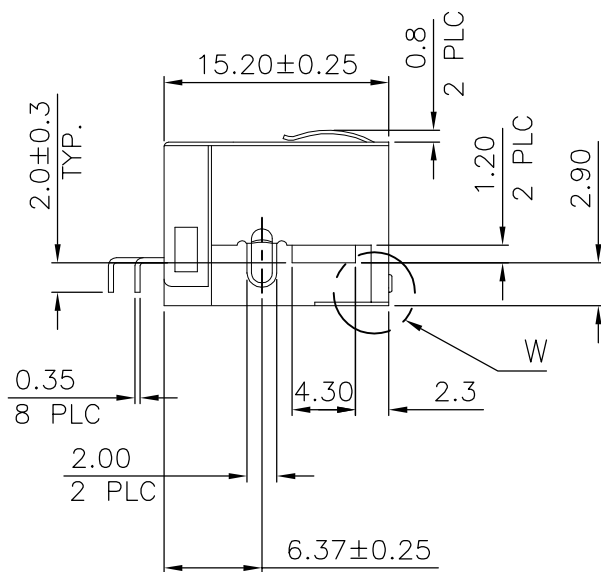
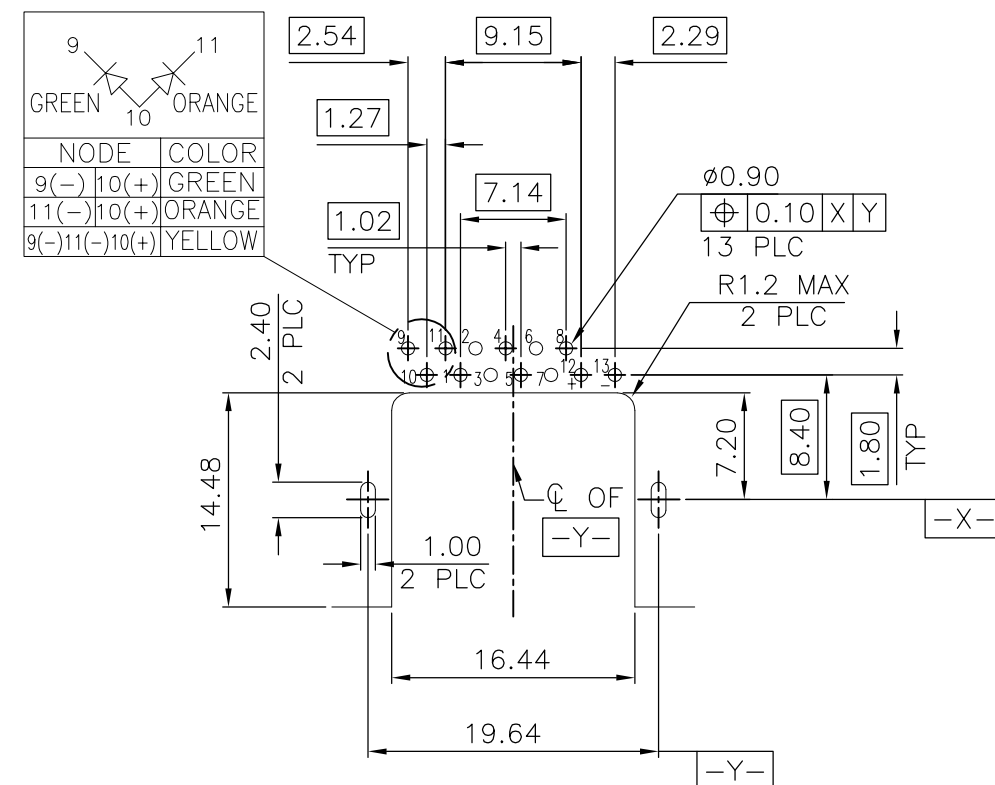
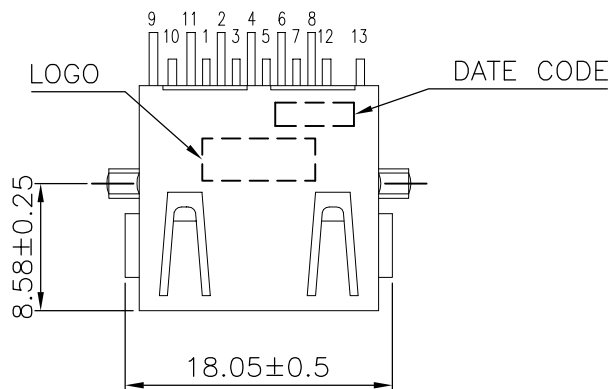
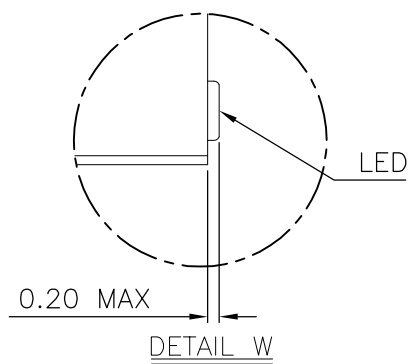
- MATERIAL:  
 HOUSING: PA9T WITH 30% GF, UL94 V-0, BLACK COLOR.  
 CONTACTS: PHOSPHOR BRONZE.  
 SHELL: BRASS.  
 LED LIGHT: EPOXY RESIN.
  - FINISH:  
 CONTACTS: (SEE TABLE) GOLD PLATED ON CONTACT AREA,  
 GOLD FLASH ON SOLDER TAILS,  
 1.27µm [50µ"] MIN. NICKEL UNDERPLATED OVERALL.  
 SHELL: 0.508µm [20µ"] MIN. NICKEL PLATED.  
 LED LIGHT: 1.65µm [65µ"] MIN. Ag PLATED.  
 2.159µm [85µ"] MIN. TIN PLATED.
  - LED MUST BE REFLOW COMPATIBLE TO FOLLOWING TEMPERATURE PROFILE (FOR 1 CYCLE): ABOVE 160 C FOR 120 SECONDS, PEAKING AT 260 C FOR 10 SECONDS.
  - LED DEFECT RATE IS 6000 PPM MAX. AFTER IR REFLOW PROCESS AS NOTE 3.
  - REFLOW SOLDER CAPABLE TO 260°C PER TE TEST SPEC. 109-201, CONDITION B.
- ⚠ OBSOLETE PARTS: OBSOLETE CIS STREAMLINING PER D.RENAUD/D.SINISI.

PACKAGE	LED 2 INDICATOR COLOR	LED 1 INDICATOR COLOR	MIN. GOLD THICKNESS	PART NUMBER
OBSOLETE ⚠	REEL	YELLOW	GREEN	1.27µm [50µ"] 1734819-8
				0.762µm [30µ"] 1734819-7
TRAY	YELLOW	GREEN	0.381µm [15µ"] 1734819-6	
			0.152µm [6µ"] 1734819-5	
			1.27µm [50µ"] 1734819-4	
			0.762µm [30µ"] 1734819-3	
				0.381µm [15µ"] 1734819-2
				0.152µm [6µ"] 1734819-1

THIS DRAWING IS A CONTROLLED DOCUMENT.		DWN T. KUO 07JUL2008			
DIMENSIONS: MM		CHK A. WU 07JUL2008			
TOLERANCES UNLESS OTHERWISE SPECIFIED:		APVD W. KODAMA 07JUL2008		NAME	
0 PLC ± -		PRODUCT SPEC		MODULAR JACK, RJ45, SINGLE, SHIELD, REVERSE, DIP TYPE	
1 PLC ± 0.30		108-57535		SIZE	
2 PLC ± 0.20		APPLICATION SPEC		CAGE CODE	
3 PLC ± 0.10		WEIGHT 3.0 GRAMS		DRAWING NO	
4 PLC ± -		CUSTOMER DRAWING		RESTRICTED TO	
ANGLES ± 3'		SCALE -		SHEET 1 OF 6	
MATERIAL SEE NOTE		FINISH SEE NOTE		REV A5	

THIS DRAWING IS UNPUBLISHED. RELEASED FOR PUBLICATION  
 © COPYRIGHT BY TYCO ELECTRONICS CORPORATION. ALL RIGHTS RESERVED.

LOC	DIST	REVISIONS			
P	LTR	DESCRIPTION	DATE	DWN	APVD
DW	-	SEE SHEET 1.			



NOTE:

- MATERIAL:**  
 HOUSING: PA9T WITH 30% GF, UL94 V-0, BLACK COLOR.  
 CONTACTS: PHOSPHOR BRONZE.  
 SHELL: BRASS.  
 LED LIGHT: EPOXY RESIN.
  - FINISH:**  
 CONTACTS: (SEE TABLE) GOLD PLATED ON CONTACT AREA, GOLD FLASH ON SOLDER TAILS, 1.27µm [50µ"] MIN. NICKEL UNDERPLATED OVERALL.  
 SHELL: 0.508µm [20µ"] MIN. NICKEL PLATED.  
 LED LIGHT: 1.65µm [65µ"] MIN. Ag PLATED.  
 2.159µm [85µ"] MIN. TIN PLATED.
  - LED MUST BE REFLOW COMPATIBLE TO FOLLOWING TEMPERATURE PROFILE (FOR 1 CYCLE): ABOVE 160 C FOR 120 SECONDS, PEAKING AT 260 C FOR 10 SECONDS.
  - LED DEFECT RATE IS 6000 PPM MAX. AFTER IR REFLOW PROCESS AS NOTE 3.
  - REFLOW SOLDER CAPABLE TO 260°C PER TE TEST SPEC. 109-201, CONDITION B.
- ⚠️ OBSOLETE PARTS: OBSOLETE CIS STREAMLINING PER D.RENAUD/D.SINISI.

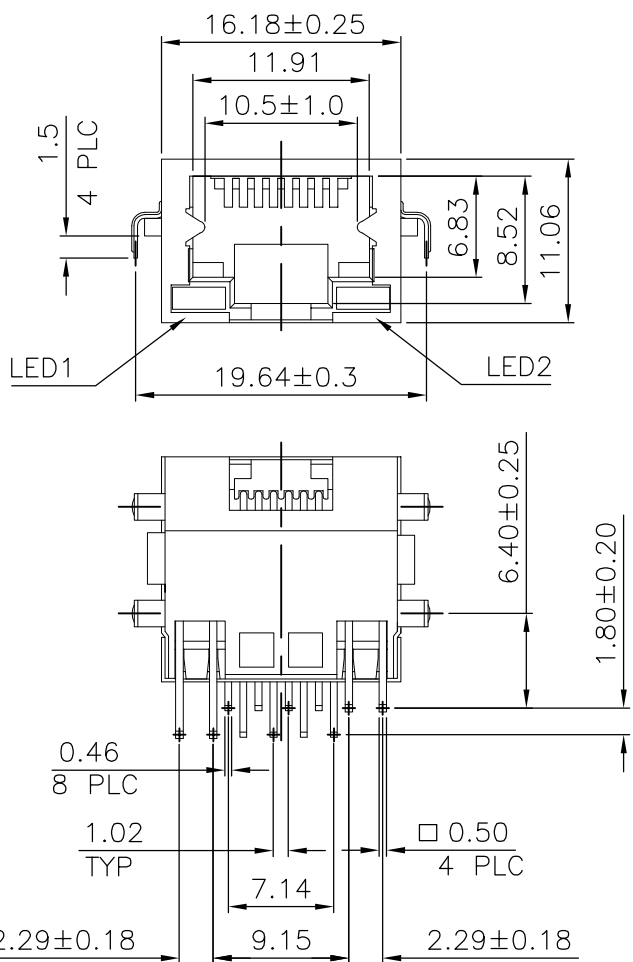
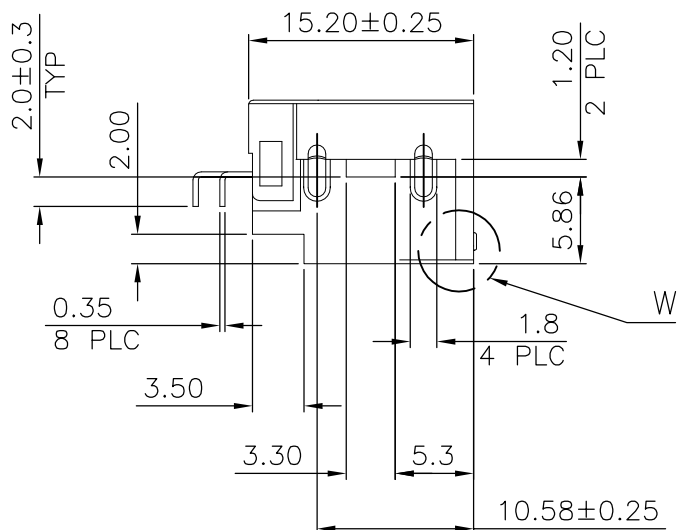
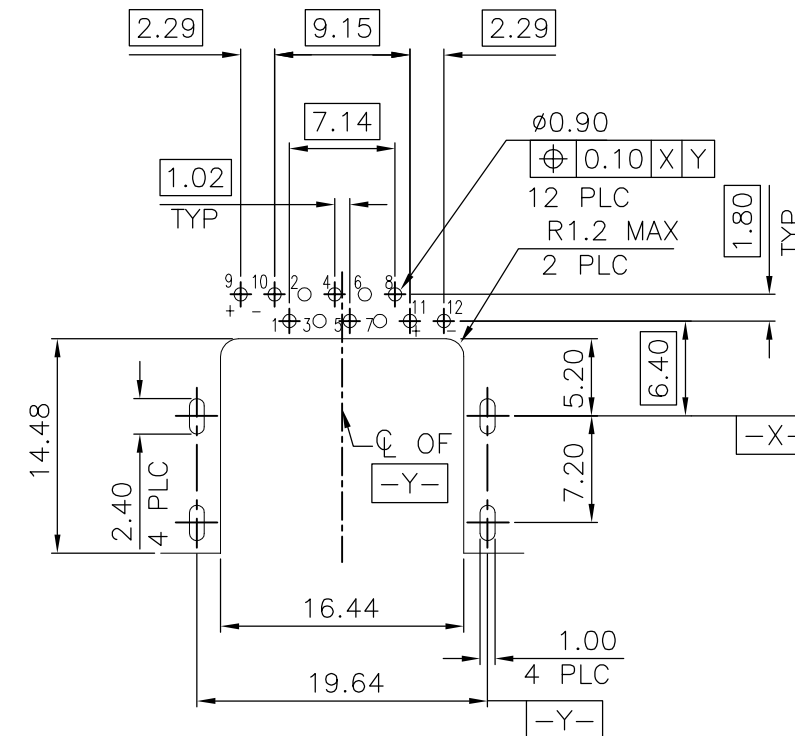
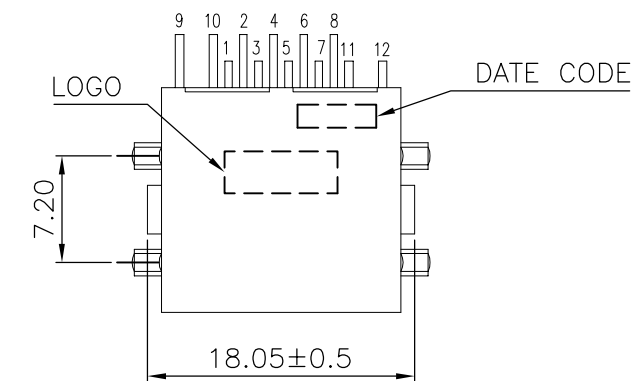
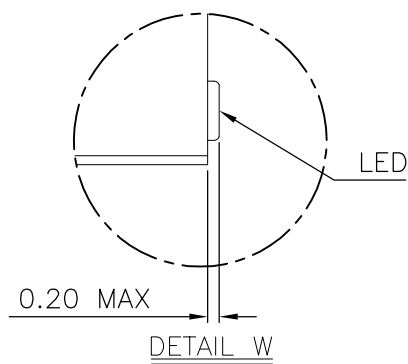
PACKAGE	LED 2 INDICATOR	LED 1 COLOR	MIN. GOLD THICKNESS	PART NUMBER
OBSOLETE ⚠️	REEL	YELLOW	GREEN	1-1734819-8
			ORANGE	1-1734819-7
	TRAY	YELLOW	YELLOW	1-1734819-6
			GREEN	1-1734819-5
			ORANGE	1-1734819-4
			YELLOW	1-1734819-3
			MIN. GOLD THICKNESS	1-1734819-2
			MIN. GOLD THICKNESS	1-1734819-1

THIS DRAWING IS A CONTROLLED DOCUMENT.

DIMENSIONS: MM	TOLERANCES UNLESS OTHERWISE SPECIFIED:	DWN	TE Connectivity	
	0 PLC ± - 1 PLC ± 0.30 2 PLC ± 0.20 3 PLC ± 0.10 4 PLC ± - ANGLES ± 3'	CHK	NAME	
MATERIAL: SEE NOTE	FINISH: SEE NOTE	APVD	MODULAR JACK, RJ45, SINGLE, SHIELD, REVERSE, DIP TYPE	
		PRODUCT SPEC	SIZE	RESTRICTED TO
		APPLICATION SPEC	A3 00779	C=1734819
		WEIGHT	CAGE CODE	DRAWING NO
		CUSTOMER DRAWING	A3 00779	C=1734819
			SCALE	SHEET 2 OF 6
				REV A5

THIS DRAWING IS UNPUBLISHED. RELEASED FOR PUBLICATION  
 © COPYRIGHT BY TYCO ELECTRONICS CORPORATION. ALL RIGHTS RESERVED.

LOC	DIST	REVISIONS					
DW	-	P	LTR	DESCRIPTION	DATE	DWN	APVD
				SEE SHEET 1.			



RECOMMENDED PCB LAYOUT (THICKNESS: 1.6mm)  
 DIMENSION TOLERANCE: (1 PLC: ±0.1 2PLC: ±0.05)

NOTE:

- MATERIAL:  
 HOUSING: PA9T WITH 30% GF, UL94 V-0, BLACK COLOR.  
 CONTACTS: PHOSPHOR BRONZE.  
 SHELL: BRASS.  
 LED LIGHT: EPOXY RESIN.
  - FINISH:  
 CONTACTS: (SEE TABLE) GOLD PLATED ON CONTACT AREA,  
 GOLD FLASH ON SOLDER TAILS,  
 1.27µm [50µ"] MIN. NICKEL UNDERPLATED OVERALL.  
 SHELL: 0.508µm [20µ"] MIN. NICKEL PLATED.  
 LED LIGHT: 1.65µm [65µ"] MIN. Ag PLATED.  
 2.159µm [85µ"] MIN. TIN PLATED.
  - LED MUST BE REFLOW COMPATIBLE TO FOLLOWING TEMPERATURE PROFILE (FOR 1 CYCLE): ABOVE 160 C FOR 120 SECONDS, PEAKING AT 260 C FOR 10 SECONDS.
  - LED DEFECT RATE IS 6000 PPM MAX. AFTER IR REFLOW PROCESS AS NOTE 3.
  - REFLOW SOLDER CAPABLE TO 260°C PER TE TEST SPEC. 109-201, CONDITION B.
- ⚠ OBSOLETE PARTS: OBSOLETE CIS STREAMLINING PER D.RENAUD/D.SINISI.

OBSOLETE ⚠	REEL	YELLOW	GREEN	1.27µm [50µ"]	2=1734819=8
				0.762µm [30µ"]	2=1734819=7
	TRAY	YELLOW	GREEN	0.381µm [15µ"]	2=1734819=6
				0.152µm [6µ"]	2=1734819=5
				1.27µm [50µ"]	2=1734819=4
				0.762µm [30µ"]	2=1734819=3
				0.381µm [15µ"]	2=1734819=2
				0.152µm [6µ"]	2=1734819=1
	PACKAGE	LED 2	LED 1	MIN. GOLD THICKNESS	PART NUMBER
		INDICATOR	COLOR		

THIS DRAWING IS A CONTROLLED DOCUMENT.		DWN	-	TE Connectivity	
DIMENSIONS: MM		CHK	-		
TOLERANCES UNLESS OTHERWISE SPECIFIED:		APVD	-	NAME	
		PRODUCT SPEC	-	MODULAR JACK, RJ45, SINGLE, SHIELD, REVERSE, DIP TYPE	
MATERIAL		APPLICATION SPEC	-	SIZE	CAGE CODE
SEE NOTE	FINISH	WEIGHT	-	A3	00779
SEE NOTE	SEE NOTE	CUSTOMER DRAWING	-	DRAWING NO	C=1734819
				RESTRICTED TO	-
				SCALE	-
				SHEET	3 OF 6
				REV	A5



4

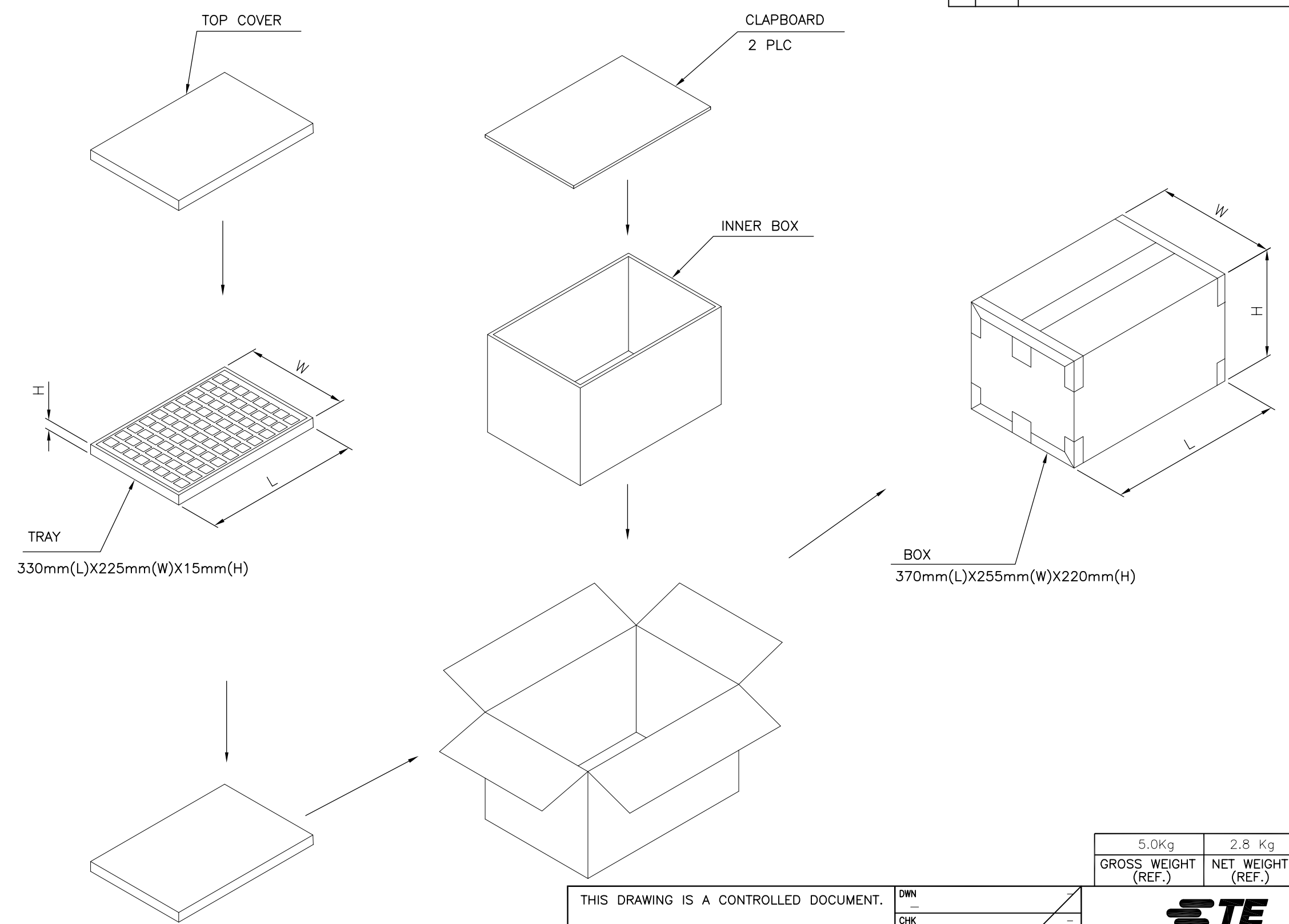
3

2


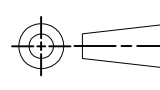
1

THIS DRAWING IS UNPUBLISHED. RELEASED FOR PUBLICATION  
 © COPYRIGHT BY TYCO ELECTRONICS CORPORATION. ALL RIGHTS RESERVED.

LOC	DIST	REVISIONS				
P	LTR	DESCRIPTION	DATE	DWN	APVD	
DW	-	SEE SHEET 1.				



5.0Kg	2.8 Kg	80	11	880 PCS
GROSS WEIGHT (REF.)	NET WEIGHT (REF.)	PCS/TRAY	TRAYS/BOX	QUANTITY

THIS DRAWING IS A CONTROLLED DOCUMENT.		DWN	-	 TE Connectivity NAME MODULAR JACK, RJ45, SINGLE, SHIELD, REVERSE, DIP TYPE								
DIMENSIONS: MM		CHK	-									
		APVD	-									
TOLERANCES UNLESS OTHERWISE SPECIFIED:		PRODUCT SPEC	-									
0 PLC ± - 1 PLC ± - 2 PLC ± - 3 PLC ± - 4 PLC ± - ANGLES ± -		APPLICATION SPEC	-									
MATERIAL		WEIGHT	-	<table border="1"> <tr> <th>SIZE</th> <th>CAGE CODE</th> <th>DRAWING NO</th> <th>RESTRICTED TO</th> </tr> <tr> <td>A3</td> <td>00779</td> <td>C=1734819</td> <td>-</td> </tr> </table>	SIZE	CAGE CODE	DRAWING NO	RESTRICTED TO	A3	00779	C=1734819	-
SIZE	CAGE CODE	DRAWING NO	RESTRICTED TO									
A3	00779	C=1734819	-									
CUSTOMER DRAWING			SCALE -	<table border="1"> <tr> <th>SHEET</th> <th>REV</th> </tr> <tr> <td>5 OF 6</td> <td>A5</td> </tr> </table>	SHEET	REV	5 OF 6	A5				
SHEET	REV											
5 OF 6	A5											

4

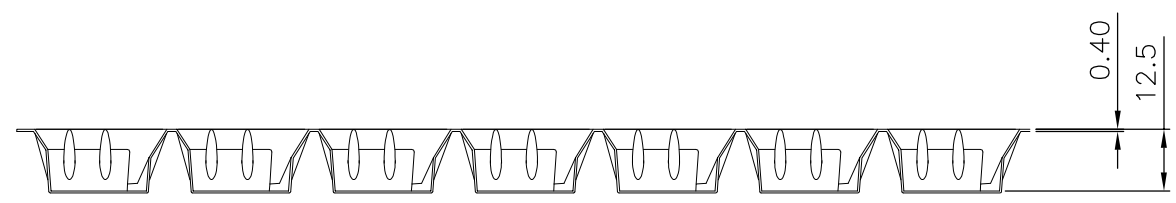
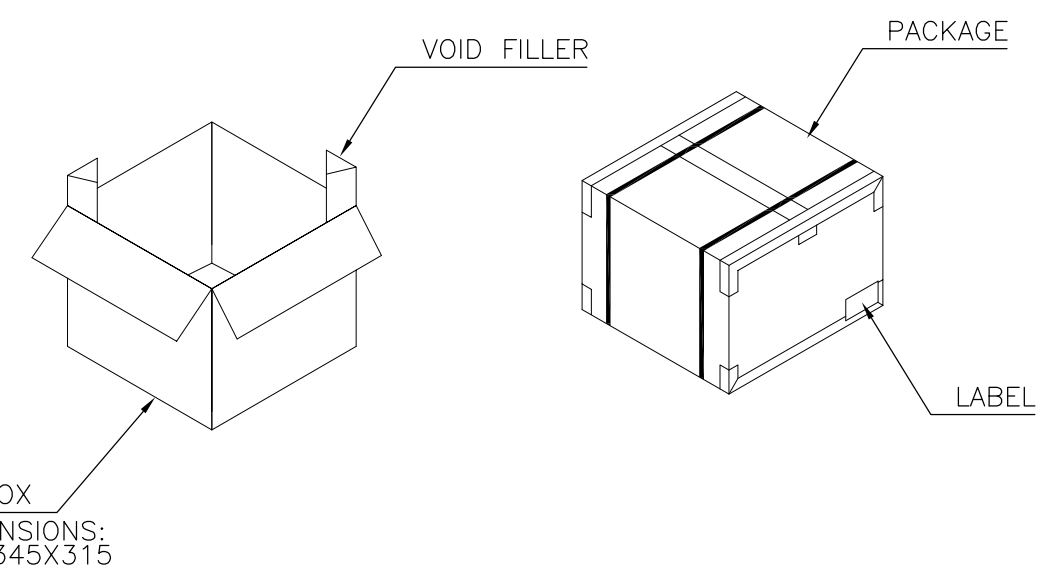
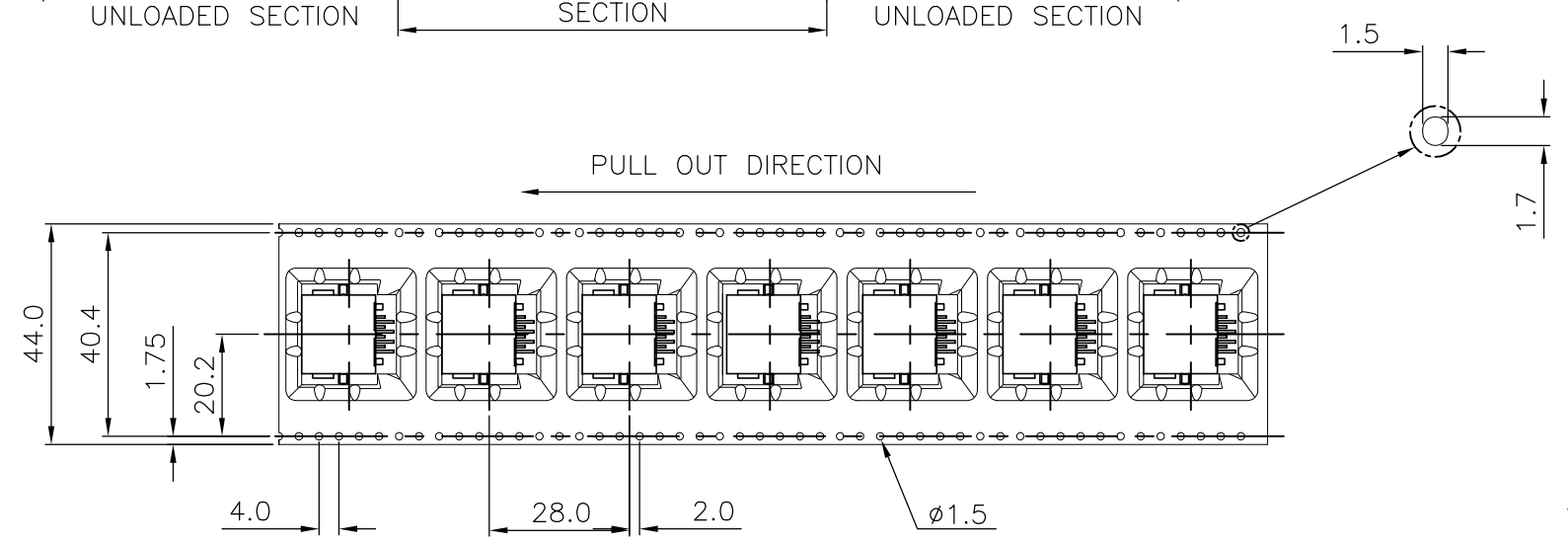
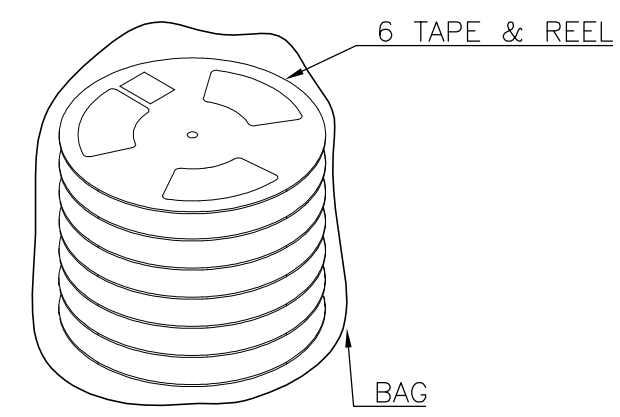
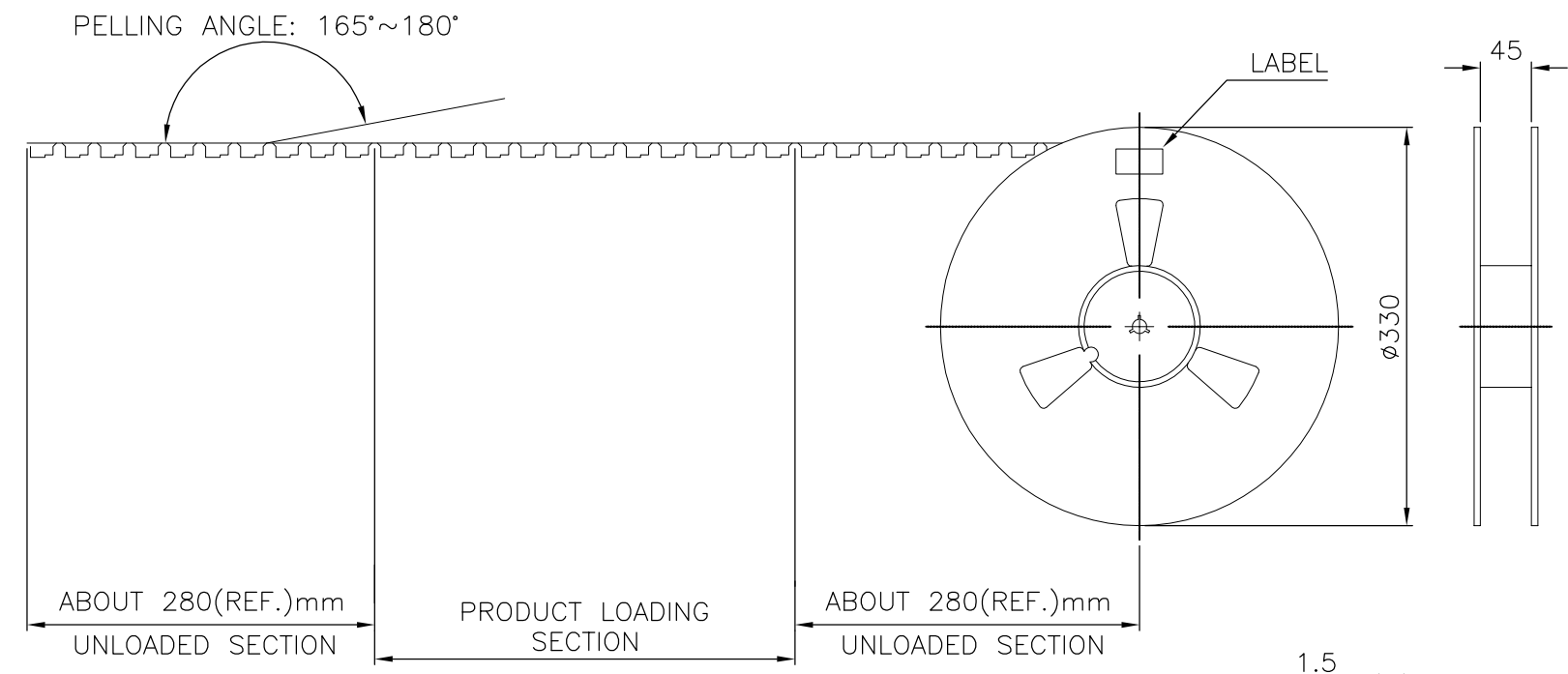
3

2

1

THIS DRAWING IS UNPUBLISHED. RELEASED FOR PUBLICATION  
 © COPYRIGHT BY TYCO ELECTRONICS CORPORATION. ALL RIGHTS RESERVED.

LOC	DIST	REVISIONS				
P	LTR	DESCRIPTION	DATE	DWN	APVD	
DW	-	SEE SHEET 1.				



5.5 Kg	3.5 Kg	200	6	1200 PCS
GROSS WEIGHT (REF.)	NET WEIGHT (REF.)	PCS/REEL	REELS/BOX	QUANTITY

THIS DRAWING IS A CONTROLLED DOCUMENT.		DWN	-	TE Connectivity NAME MODULAR JACK, RJ45, SINGLE, SHIELD, REVERSE, DIP TYPE	
DIMENSIONS: MM		CHK	-		
TOLERANCES UNLESS OTHERWISE SPECIFIED:		APVD	-		
0 PLC ± - 1 PLC ± - 2 PLC ± - 3 PLC ± - 4 PLC ± - ANGLES ± -		PRODUCT SPEC	-		
MATERIAL		APPLICATION SPEC	-	SIZE	A3
FINISH		WEIGHT	-	CAGE CODE	00779
		CUSTOMER DRAWING		DRAWING NO	1734819
				RESTRICTED TO	-
				SCALE	-
				SHEET	6 OF 6
				REV	A5

单击下面可查看定价，库存，交付和生命周期等信息

[>>TE Connectivity\(泰科\)](#)