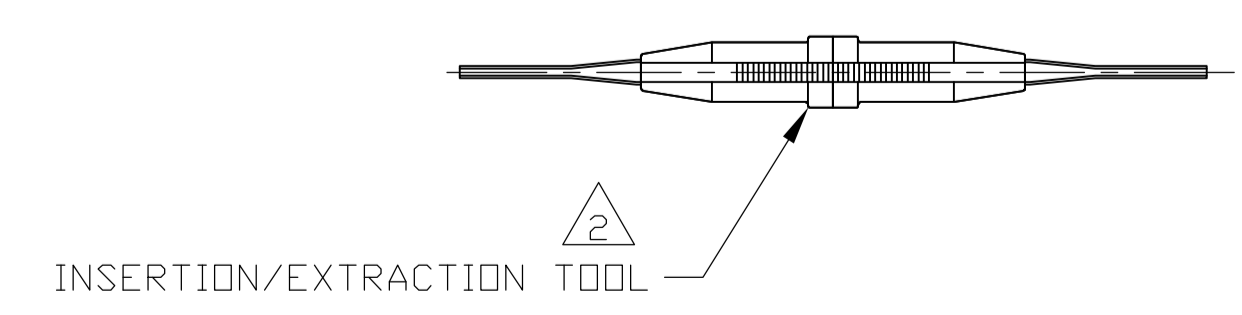


- KEYING HARDWARE IS PACKAGED SEPARATELY AND SHIPPED WITH CONNECTOR.
- INSERT/EXTRACTION TOOL IS SHIPPED WITH CONNECTOR IN A SEPARATE CONTAINER.
- WHEN MEASURED FROM REAR OF INSERT.
- WHEN MEASURED TO REAR OF INSERT.



1883437-1
 PART NUMBER

THIS DRAWING IS A CONTROLLED DOCUMENT.		DWG C.C.THOMAS	8-2-06	Tyco Electronics Corporation Harrisburg, PA 17105-3608	
DIMENSIONS: INCHES [mm]		CHK D.FABY	8-2-06	NAME RCPT ASSY,ARINC 404,RM1R106S-00 (PCB)	
TOLERANCES UNLESS OTHERWISE SPECIFIED:		APP'D D.FABY	8-2-06	PRODUCT SPEC	
0 PLC ± -		APPLICATION SPEC		SIZE A1	
1 PLC ± -		RESTRICTED TO		CAGE CODE 00779	
2 PLC ± -		WEIGHT		DRAWING NO. 1883437	
3 PLC ± .005 [0.13]		CUSTOMER DRAWING		SCALE 2:1	
4 PLC ANGLES ± -		SHEET 1 OF 1		REV A	

单击下面可查看定价，库存，交付和生命周期等信息

[>>TE Connectivity\(泰科\)](#)