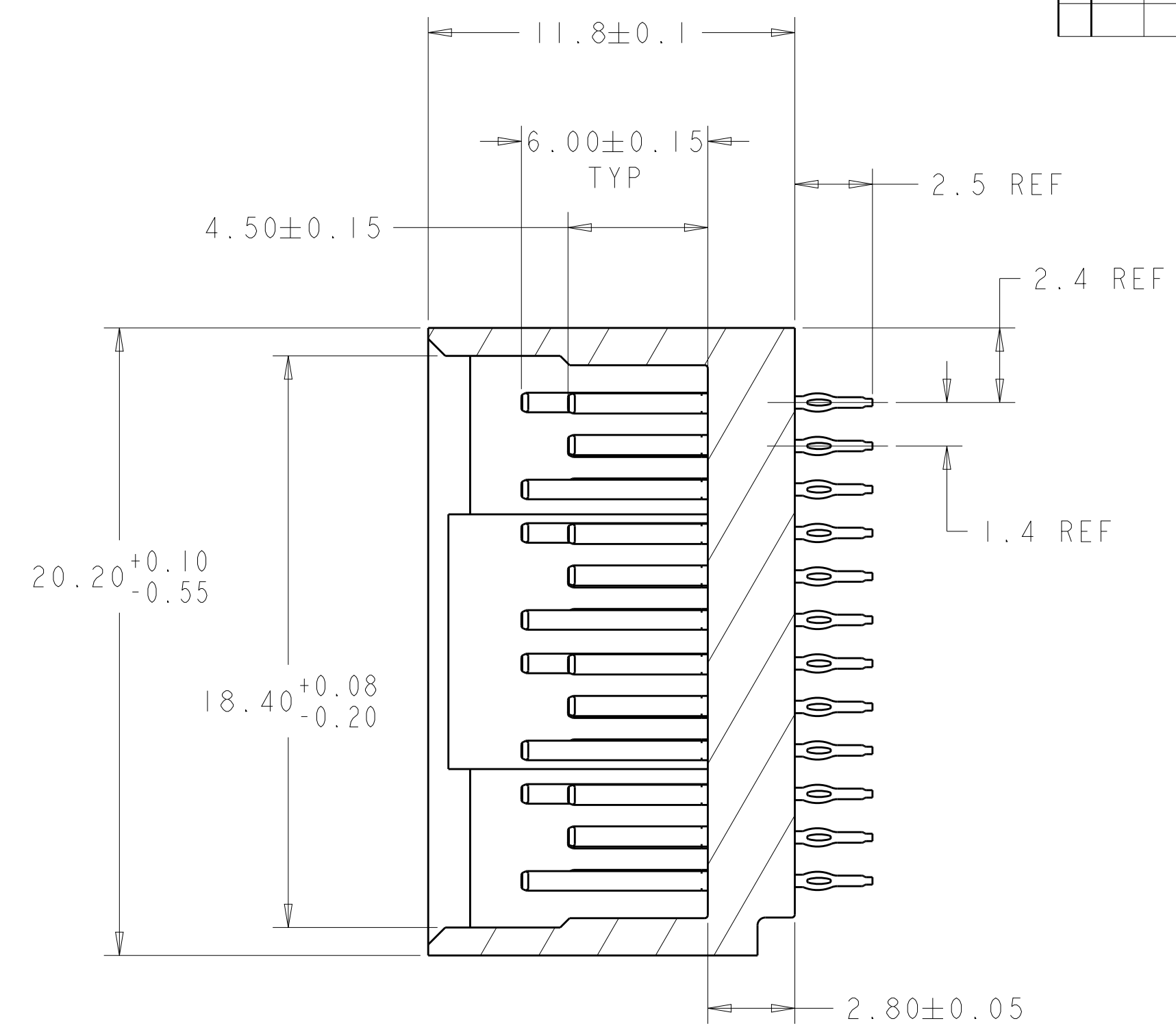
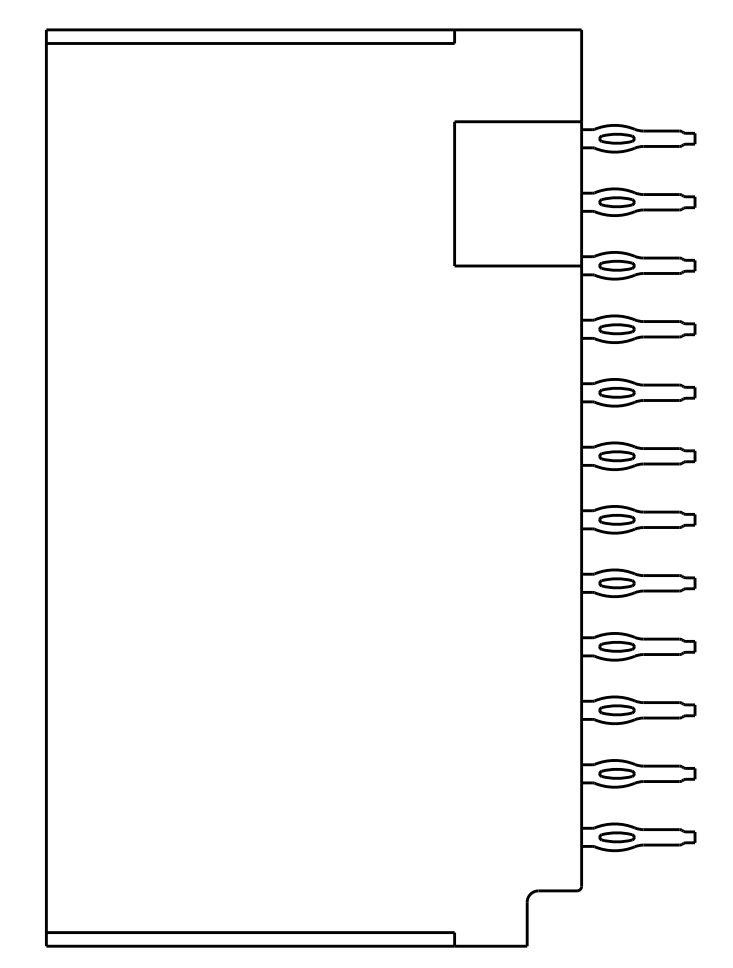
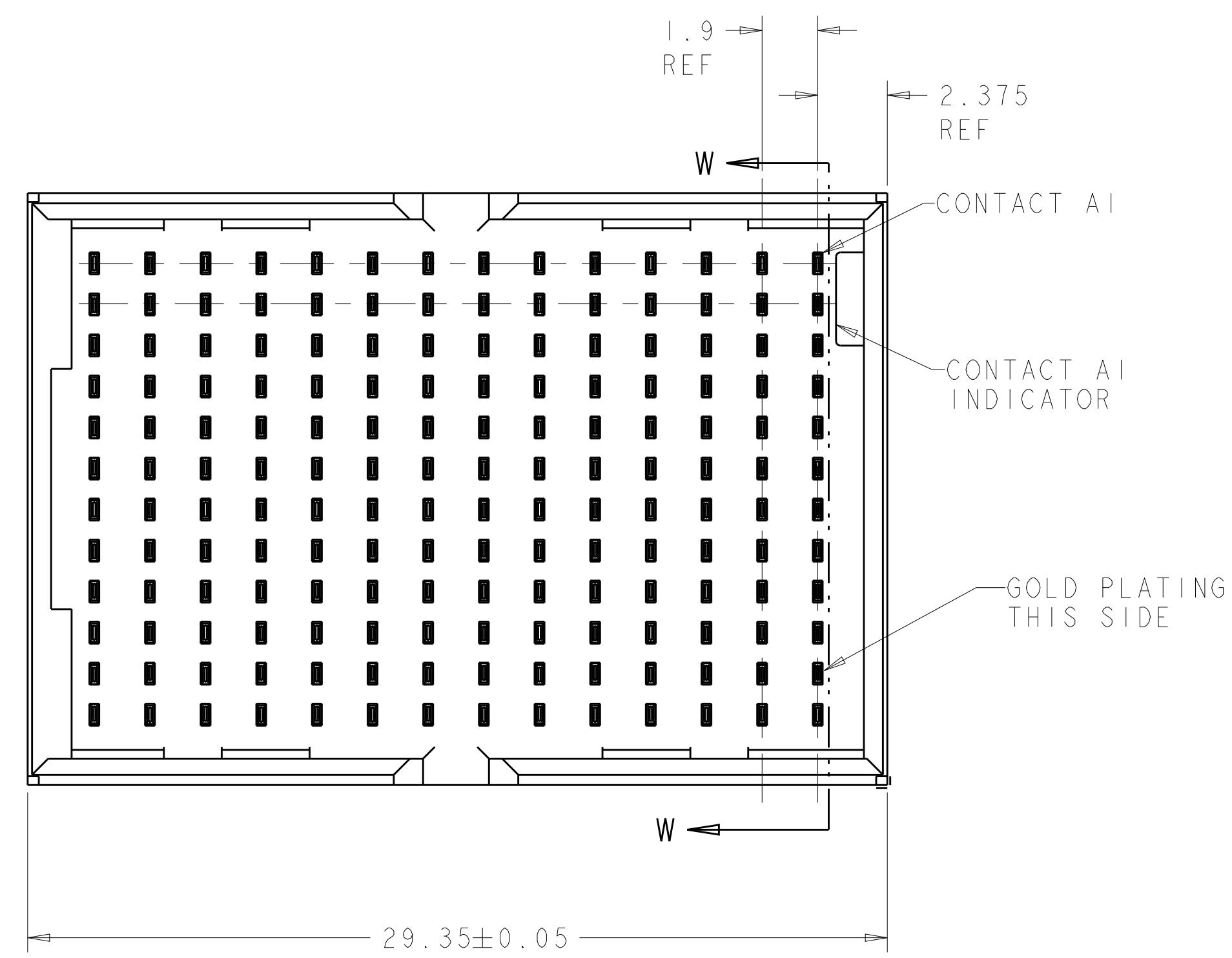
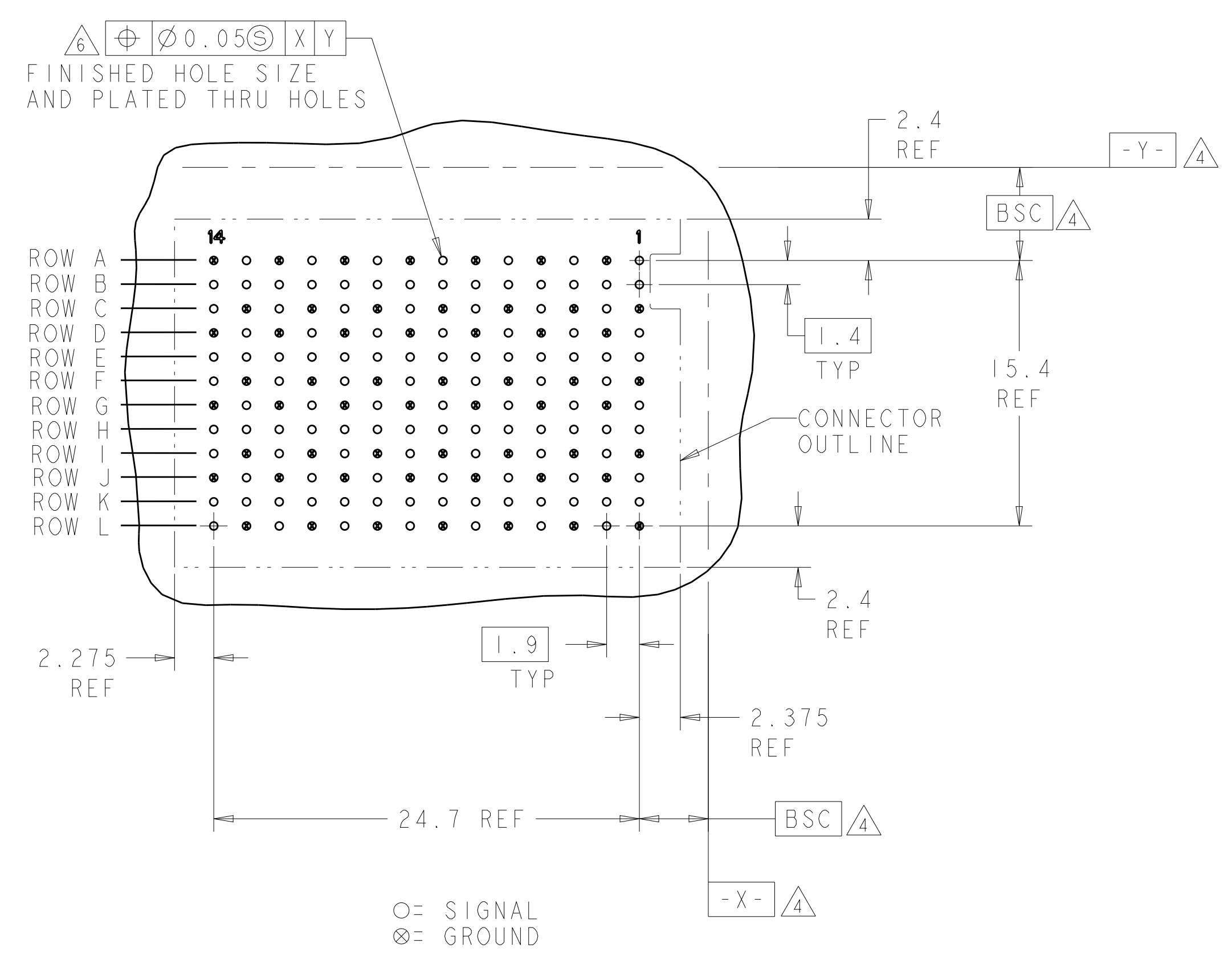
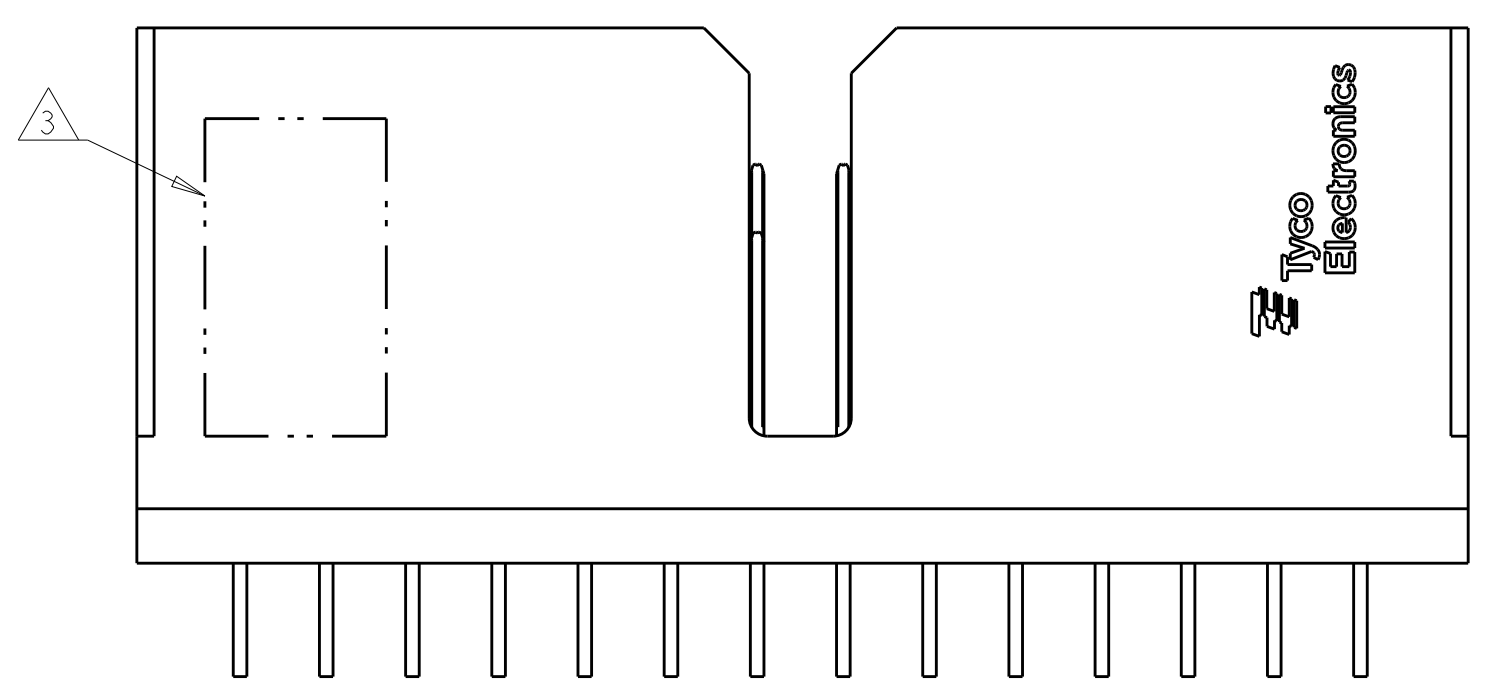


LOC	DIST	REV	DATE	BY	APPV
GP	00	E	31 JUL 2013	KH	RP



SECTION W-W



RECOMMENDED PB BOARD LAYOUT BACKPLANE COMPONENT SIDE SHOWN SCALE 4:1

- 1 MATERIAL:
 CONTACT - PHOS BRONZE
 HOUSING - LCP, UL 94V-0, COLOR - BLACK
- 2 FINISH:
 CONTACT AREA FINISH CONFORMS TO THE REQUIREMENTS OF TE PRODUCT SPECIFICATION 108-2303; BASED ON TELCORDIA GR-1217-CORE FOR SYSTEM QUALITY LEVEL III APPLICATIONS IN CONTROLLED ENVIRONMENTS (CENTRAL OFFICE). COMPLIANT PIN AREA- 0.5µm MIN MATTE TIN OVER 1.27µm MIN NICKEL.
- 3 CONNECTOR MARKED WITH PART NUMBER, DATE CODE AND STANDARD IN APPROXIMATE AREA SHOWN
- 4 DATUMS AND BASIC DIMENSIONS ESTABLISHED BY CUSTOMER.
- 5 CONTACT AREA LUBRICATED WITH BELLCORE APPROVED LUBRICANT. TECHNICAL REFERENCE GR-1217-CORE, ISSUE 1, NOVEMBER 1995.
- 6 REFERENCE APPLICATION SPEC 114-13202 FOR RECOMMENDED PLATED THRU HOLE DIAMETER AND PLATING THICKNESSES.

1934290-1
 PART NUMBER

THIS DRAWING IS A CONTROLLED DOCUMENT.		OWN: B. MCMASTER 18MAY07	TE Connectivity NAME: HEADER ASSEMBLY, DOUBLE WALL, 4 PAIR 14 COLUMN TinMan
DIMENSIONS: mm		CHK: W. DAVIS 18MAY07	
TOLERANCES UNLESS OTHERWISE SPECIFIED:		APVD: W. DAVIS 18MAY07	PRODUCT SPEC
0 PLC ± 1 PLC ± 2 PLC ± 3 PLC ± 4 PLC ± ANGLES ±		APPLICATION SPEC	SIZE: A1
MATERIAL: 1		FINISH: 2	WEIGHT: -
CUSTOMER DRAWING		SCALE: 6:1	SHEET 1 OF 1 REV E

单击下面可查看定价，库存，交付和生命周期等信息

[>>TE Connectivity\(泰科\)](#)