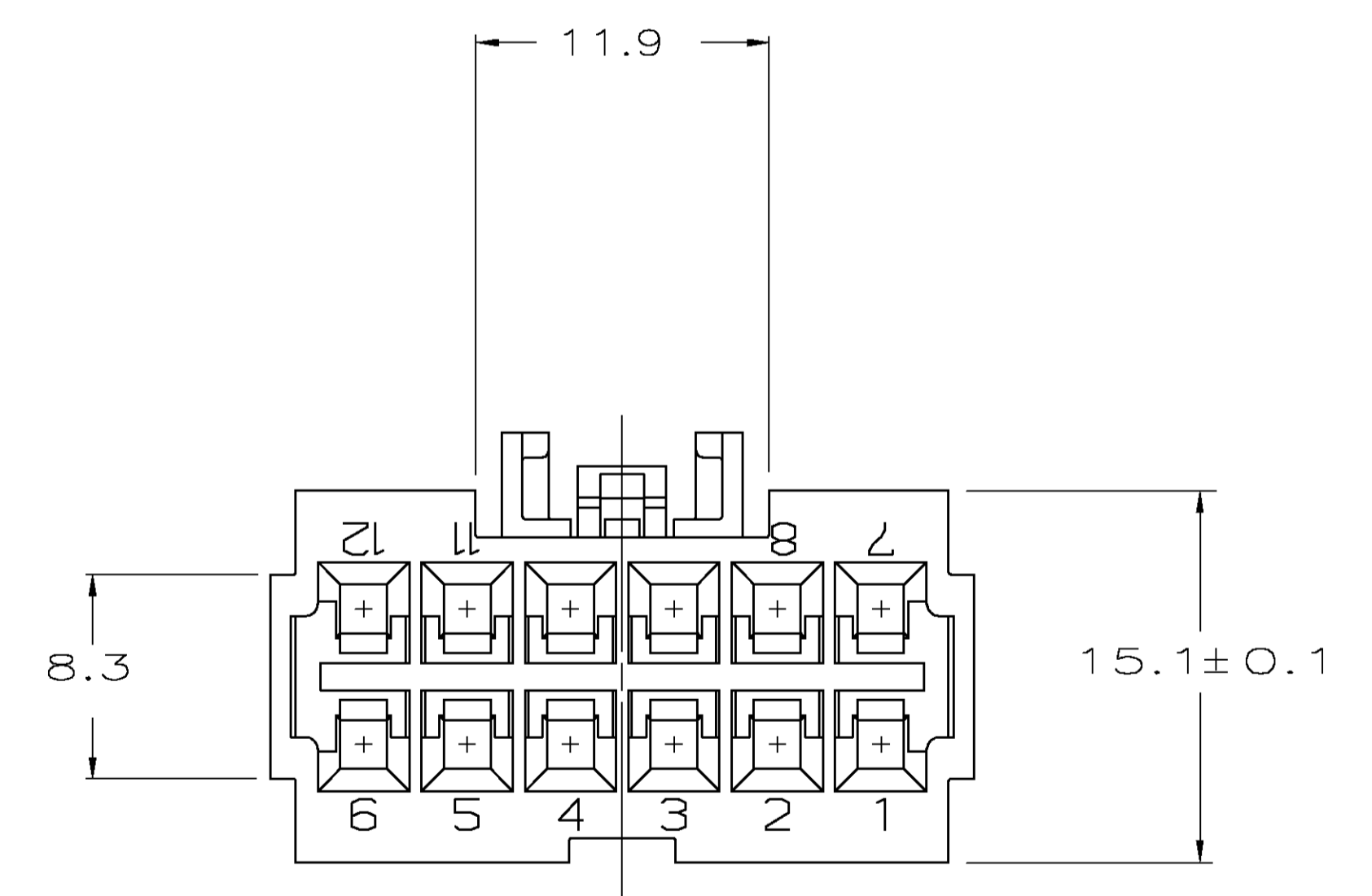
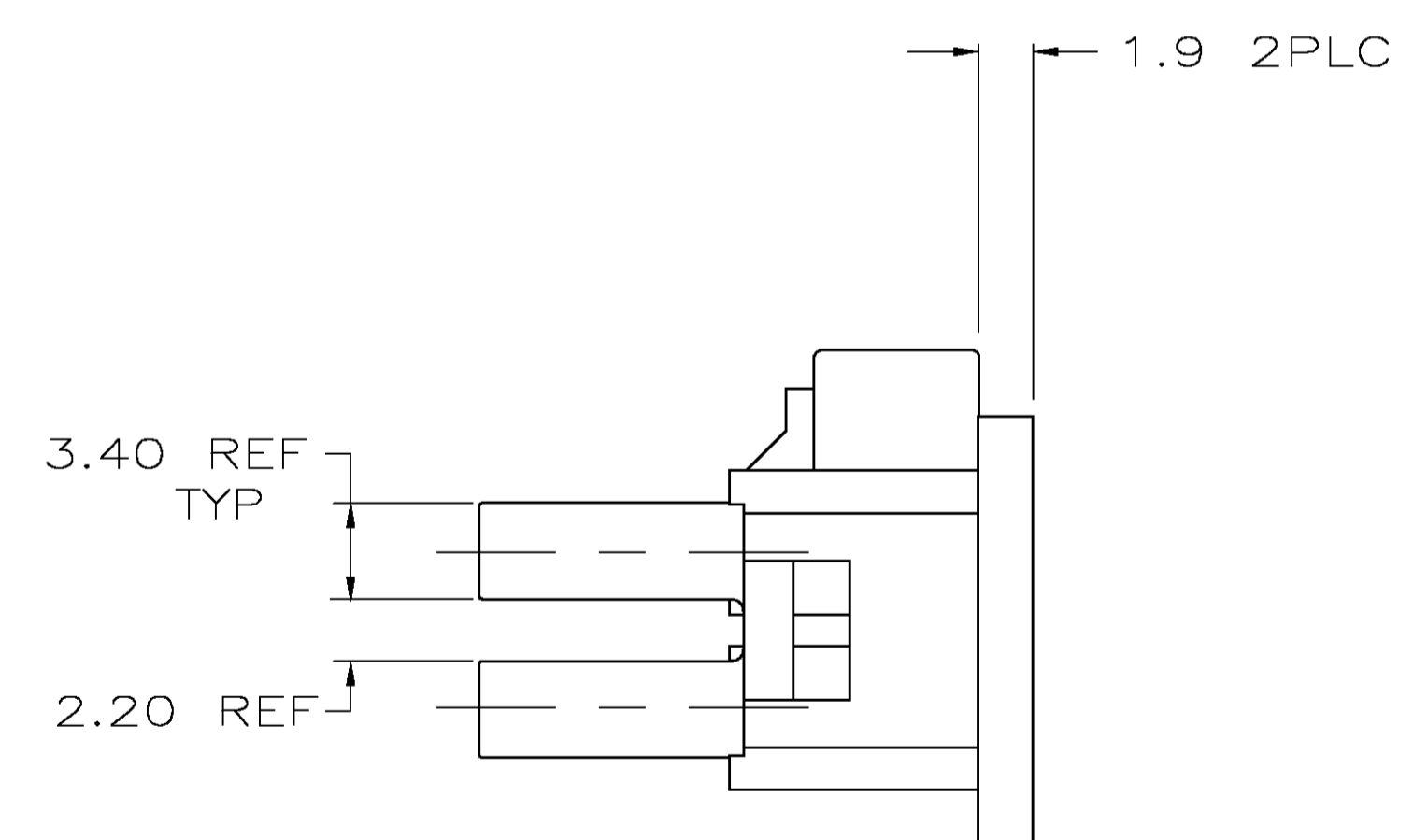
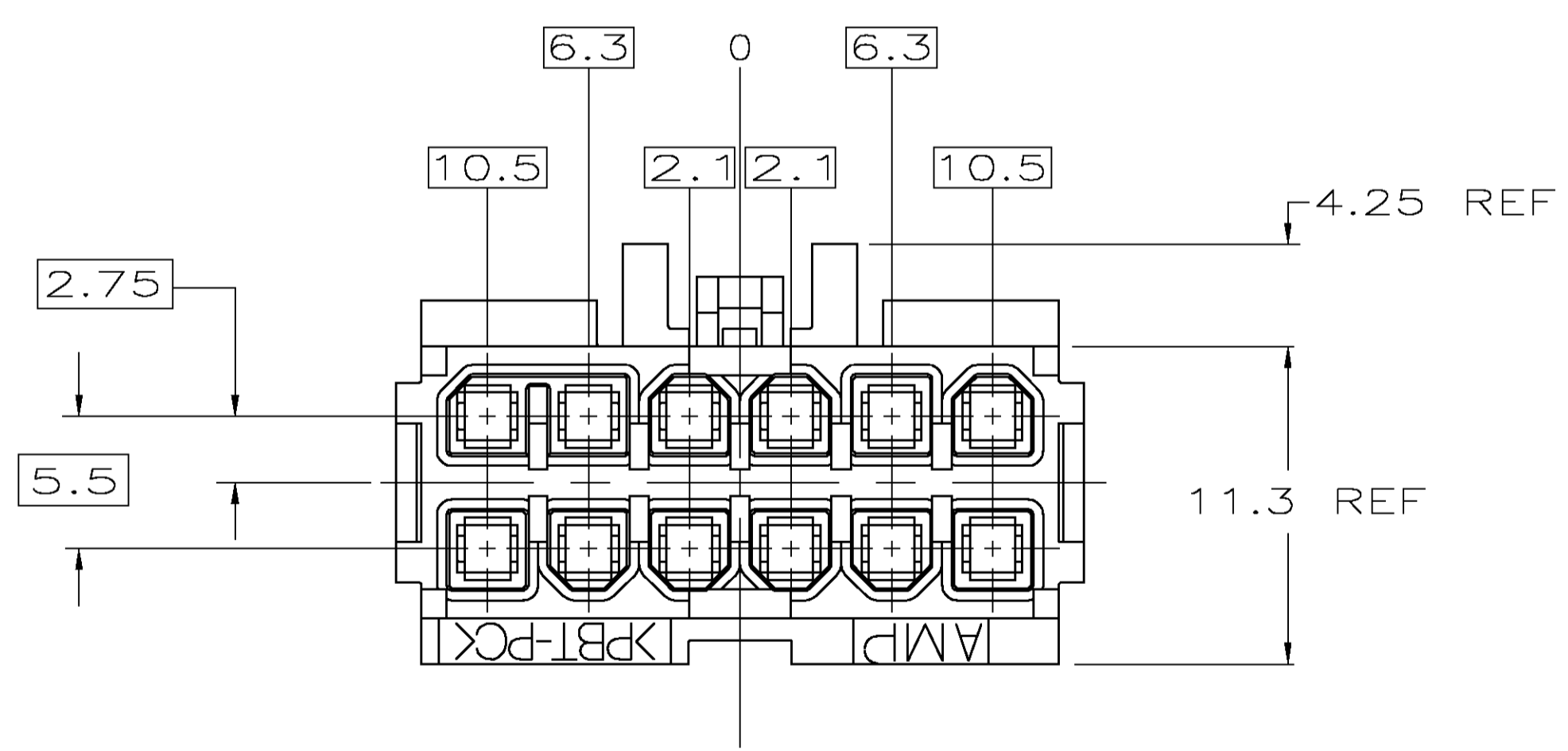


1. FOR USE WITH AMP-DUAC™ SOCKET CONTACTS (EX: 794138-2, 794139-2, 794140-2, 794416-1, 794417-1, 794418-1). TERMINAL MUST BE INSERTED INTO RECEPTACLE HOUSING SO THAT THE TOP OF THE WIRE AND INSULATION CRIMPS FACE THE INTERIOR OF THE HOUSING.
2. FOR SECONDARY LOCKING OF SOCKET CONTACTS, USE POSITION LOCK 794145-6 (1 REQUIRED).
3. RECEPTACLE HOUSING AND POSITION LOCK AVAILABLE AS BULK KIT, P/N 794322-1.
4. MATES WITH AMP-DUAC/PL™ 12 CIRCUIT HEADERS, RIGHT ANGLE (EX: 794176-2).
5. REQUIRES LATCH ASSEMBLY 794150-1 (STANDARD) OR 794149-1 (EXTENDED).
6. KEYING PLUG: 794144-1.



794156-1
PART NUMBER

THIS DRAWING IS A CONTROLLED DOCUMENT.		DN AL FRANTUM 17 AUG 04		Tyco Electronics Corporation Harrisburg, Pa 17105-3608	
DIMENSIONS: mm		CHK AL FRANTUM 17 AUG 04		PRODUCT SPEC	HOUSING, RECEPTACLE
TOLERANCES UNLESS OTHERWISE SPECIFIED:		APVD	NAME	12 CIRCUIT	
0 PLC ± -	1 PLC ± 0.2	PRODUCT SPEC	108-1646	AMP-DUAC/PL POWER CONNECTOR	
2 PLC ± 0.13	3 PLC ± -	APPLICATION SPEC	114-6067	SIZE	CAGE CODE
4 PLC ± -	ANGLES ± 0.30°	FINISH	WEIGHT	A1	00779
MATERIAL		RESTRICTED TO	CUSTOMER DRAWING	SCALE	4:1
				SHEET	1 OF 1
				REV	E

METRIC

单击下面可查看定价，库存，交付和生命周期等信息

[>>TE Connectivity\(泰科\)](#)