

4

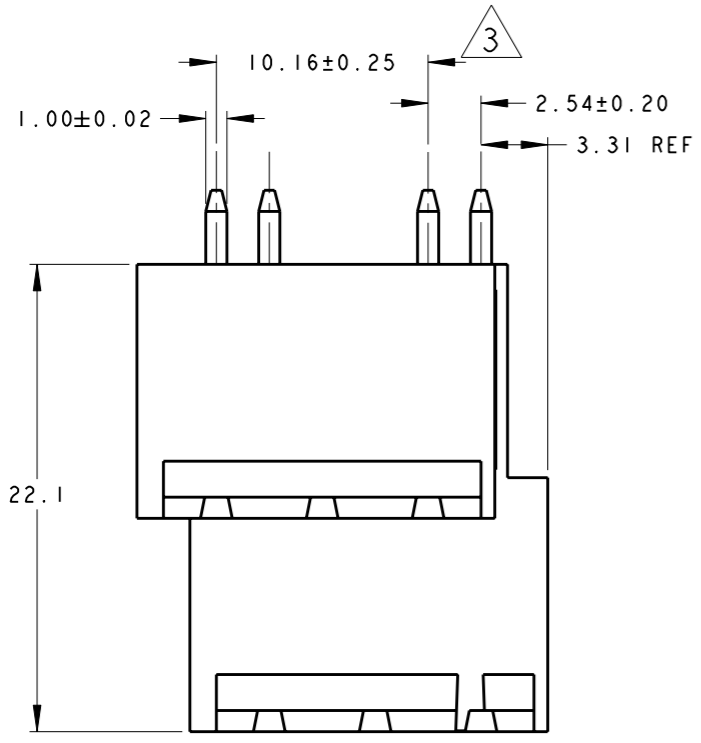
3

2

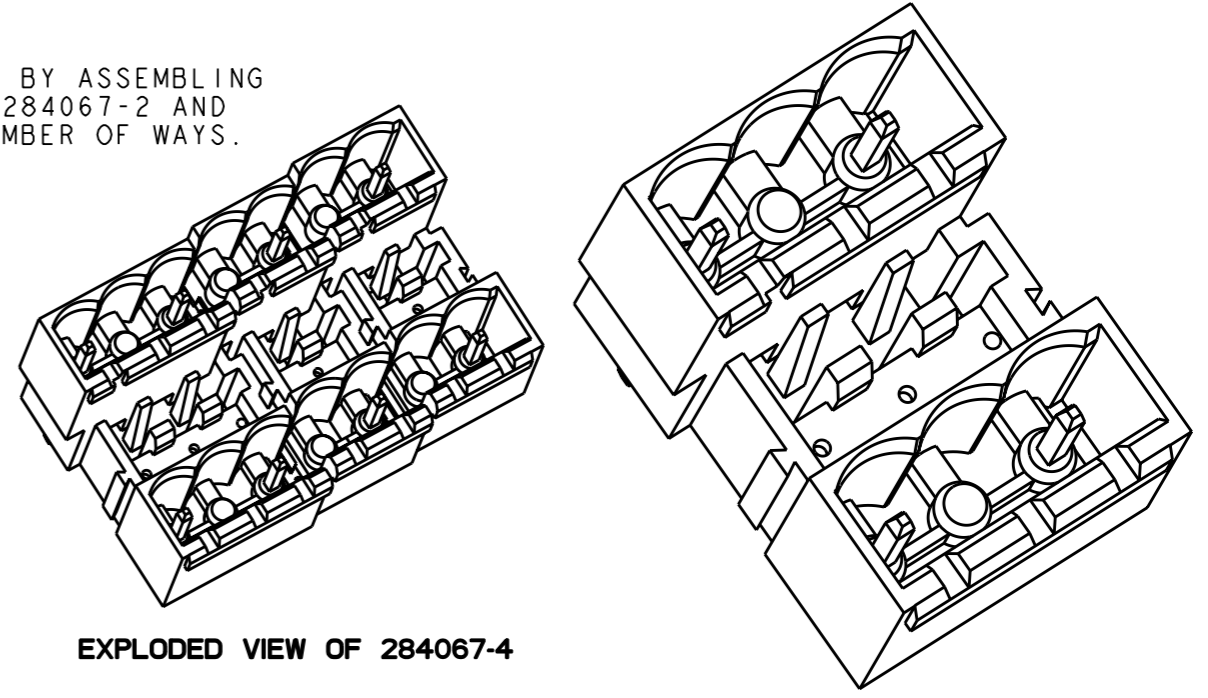
1

THIS DRAWING IS UNPUBLISHED. RELEASED FOR PUBLICATION 20
 © COPYRIGHT 20 BY - ALL RIGHTS RESERVED.

LOC	DIST	REVISIONS			
P	LTR	DESCRIPTION	DATE	DWN	APVD
FT	0	C2	REVISED PER ECO-12-007714	28APR2012	KH MS

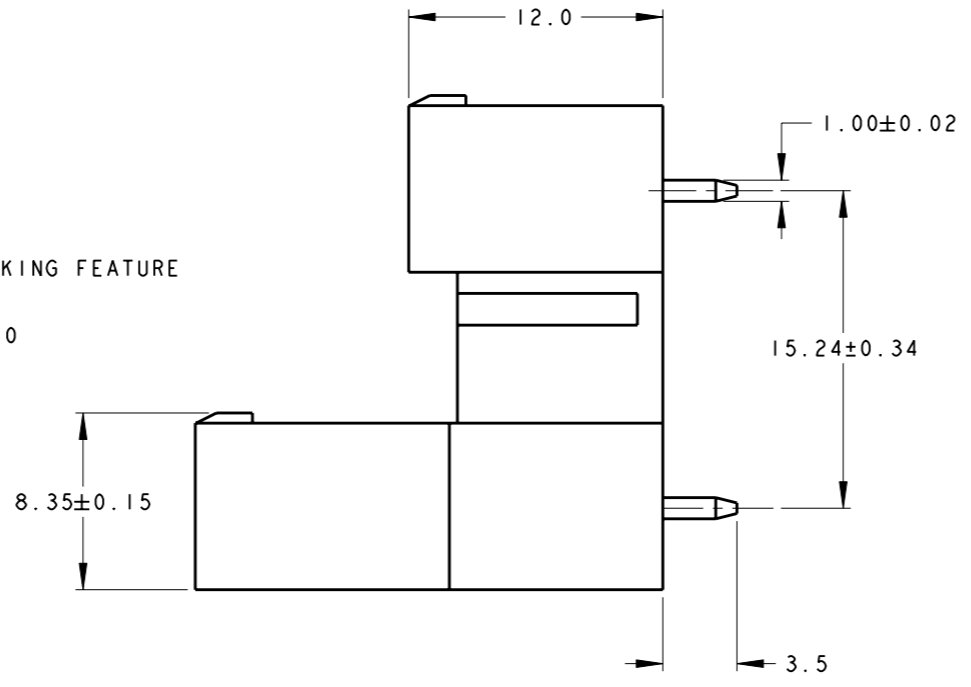
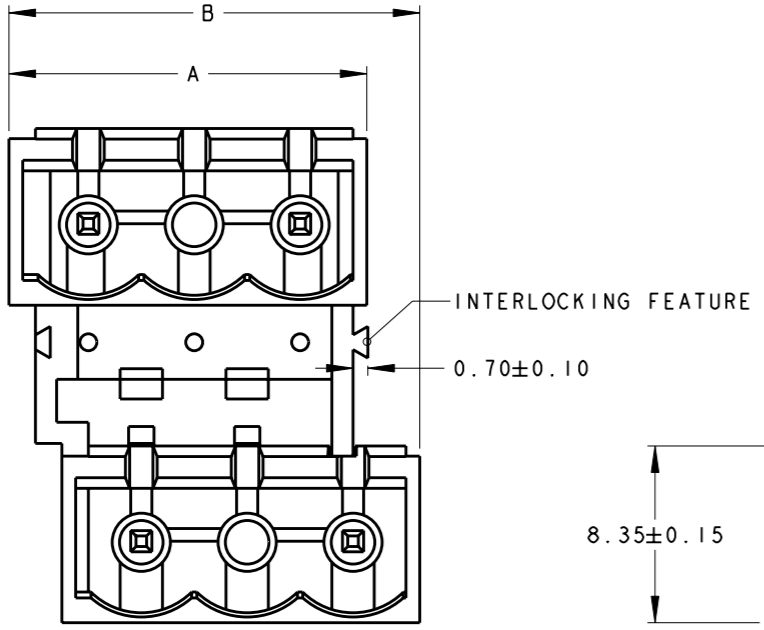


- 1 MATERIALS AND FINISH
HOUSING: PA 6-6, UL 94-V0, COLOR: SEE TABLE.
TERMINAL: COPPER ALLOY, TIN PLATED.
- 2 SUITABLE FOR 1,6-2,4mm PC BOARD THICKNESS.
- 3 NOT CUMULATIVE TOLERANCE.
- 4 P/N FROM 284067-3 TO 1-284067-3 ARE OBTAINED BY ASSEMBLING DIFFERENT MONOLITHIC MODULES CHOSEN AMONG :284067-2 AND 284067-3, IN ORDER TO REALIZE THE DESIRED NUMBER OF WAYS.

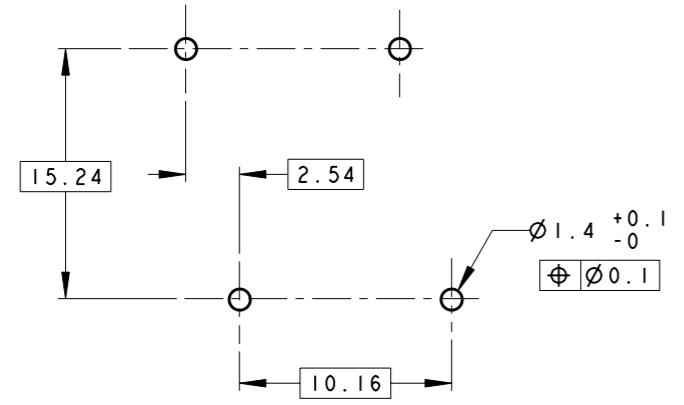


EXPLODED VIEW OF 284067-4

284067-2 AS SHOWN



MATERIAL COLOR	DIM"A"	DIM"B"	N°OF TOTAL POS.	PART NUMBER
BLACK	37.60	40.14	4	1-284067-4
	129.04	131.58	13	1-284067-3
	118.88	121.42	12	1-284067-2
	108.72	111.26	11	1-284067-1
GREEN	98.56	101.10	10	1-284067-0
	88.40	90.94	9	284067-9
	78.24	80.78	8	284067-8
	68.08	70.62	7	284067-7
	57.92	60.46	6	284067-6
	47.76	50.30	5	284067-5
	37.60	40.14	4	284067-4
	27.44	29.98	3	284067-3
	17.28	19.82	2	284067-2



RECOMMENDED PC BOARD LAYOUT

THIS DRAWING IS A CONTROLLED DOCUMENT.

DIMENSIONS: mm	TOLERANCES UNLESS OTHERWISE SPECIFIED: 0 PLC ±. 1 PLC ±.3 2 PLC ±.25 3 PLC ±. 4 PLC ±. ANGLES ±2	DWN 31JAN2002 E. ZANOLINI CHK 31JAN2002 E. ZANOLINI APVD 31JAN2002 D. BIEVENOUR	TE Connectivity NAME TERMINAL BLOCK HEADER ASSEMBLY, MULTIPLE, 180 DEGREE, CLOSED ENDS, 10.16mm PITCH	
MATERIAL	FINISH	PRODUCT SPEC - APPLICATION SPEC - WEIGHT -		SIZE A3
CUSTOMER DRAWING		SCALE 14:5	SHEET 1 OF 1	REV C2

单击下面可查看定价，库存，交付和生命周期等信息

[>>TE Connectivity\(泰科\)](#)