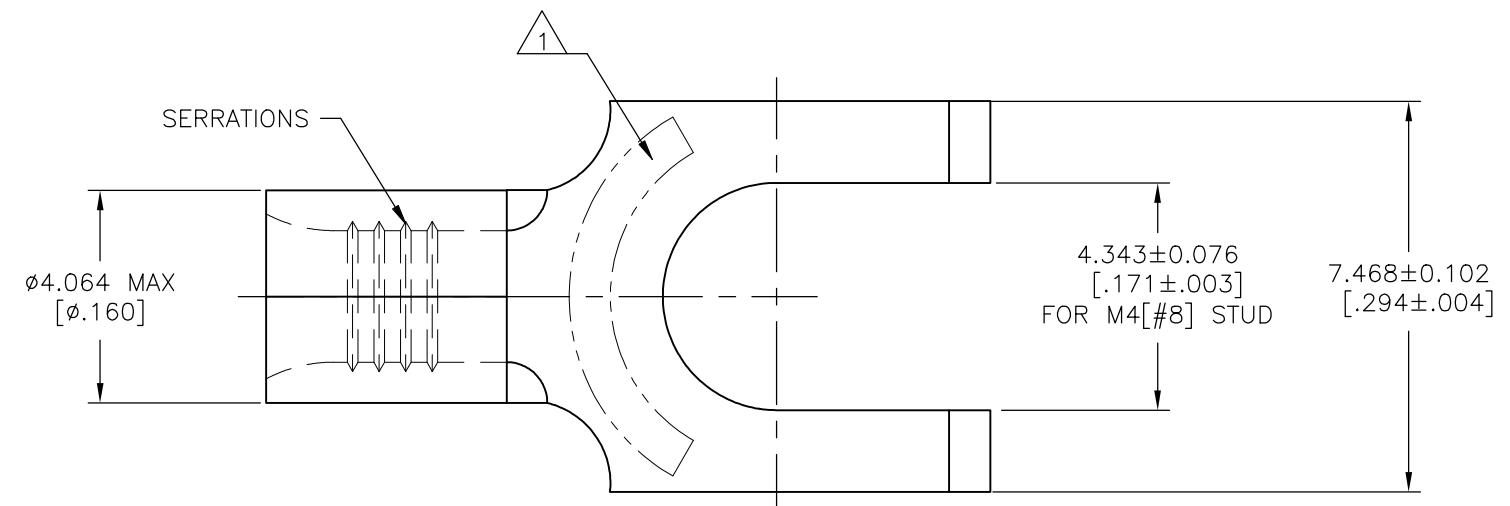


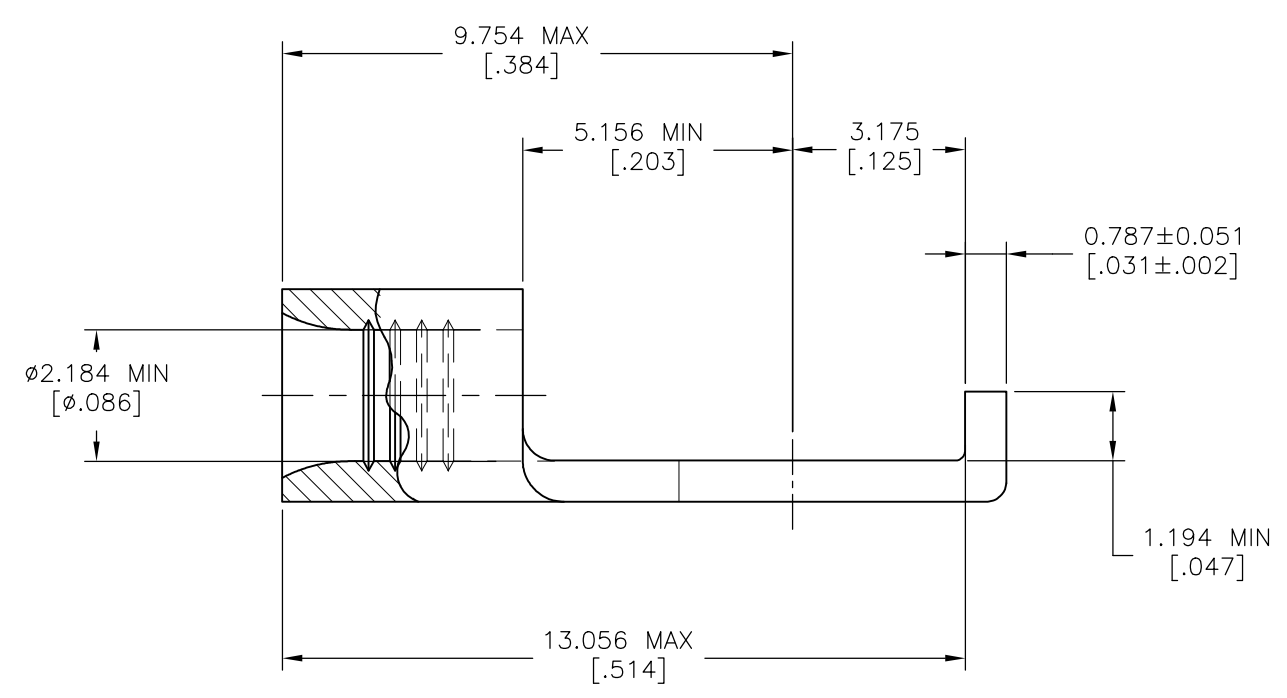
THIS DRAWING IS UNPUBLISHED. RELEASED FOR PUBLICATION  
 © COPYRIGHT - TE Connectivity Ltd. ALL RIGHTS RESERVED.

REVISIONS					
P	LTR	DESCRIPTION	DATE	DWN	APVD
C		REV PER 0G3A-0567-01	16OCT01	-	JR
C1		REVISED PER ECO-17-008806	20FEB2018	RS	DR



<b>AMP</b> WIRE RANGE	E13288 Listed
16-14 AWG STRANDED	16-14 AWG STRANDED
LR7189 Certified	MILITARY P/N AND CLASS
NOT CERTIFIED	NOT APPLICABLE

- 1 STAMP AMP 16-14\* APPROX AS SHOWN
- 2 NOTE DELETED



1000	LOOSE PIECE	320853
QTY	PACKAGE TYPE	PART NO

<b>AMP INCORPORATED</b> <b>CUSTOMER SERVICE SYSTEMS</b>		THIS DRAWING IS A CONTROLLED DOCUMENT.		DWN TA BRINKMAN 3-3-93 CHK DA PATTERSON 3-3-93 APVD DE MILLER 3-3-93	TE Connectivity Ltd.
FOR ADDITIONAL PRODUCT INFORMATION OR COPIES OF DRAWINGS AND TECHNICAL DOCUMENTS PRODUCT INFORMATION CENTER 1-800-522-6752	FOR APPLICATION TOOLING ASSISTANCE CENTER 1-800-722-1111	MAX RECOMMENDED OPERATING TEMPERATURE: 170°C [338°F] MAX VOLTAGE RATING: NOT APPLICABLE	DIMENSIONS: mm [INCHES] 	TOLERANCES UNLESS OTHERWISE SPECIFIED: 0 PLC ± - 1 PLC ± - 2 PLC ± - 3 PLC ± 0.127[.005] 4 PLC ± - ANGLES ± -	NAME: UL 486 A-B PRODUCT SPEC APPLICATION SPEC
FOR ORDER ENTRY 1-800-526-5142	WIRE CROSS SECTIONAL AREA RANGE, 1.04-2.62mm <sup>2</sup> [2,050-5,180] CIR MILS STRANDED	MATERIAL: COPPER PER ASTM B-152 ANNEALED FINISH: TIN PLATE 0.00254[.000100] MIN THK PER ASTM B545	WEIGHT: A2 00779	DRAWING NO: C-320853	RESTRICTED TO: -
			CUSTOMER DRAWING	SCALE: 10:1	SHEET: 1 OF 1 REV: C1

单击下面可查看定价，库存，交付和生命周期等信息

[>>TE Connectivity\(泰科\)](#)