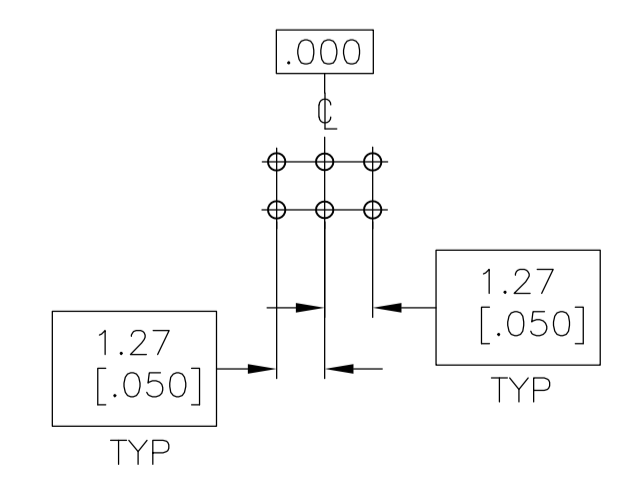
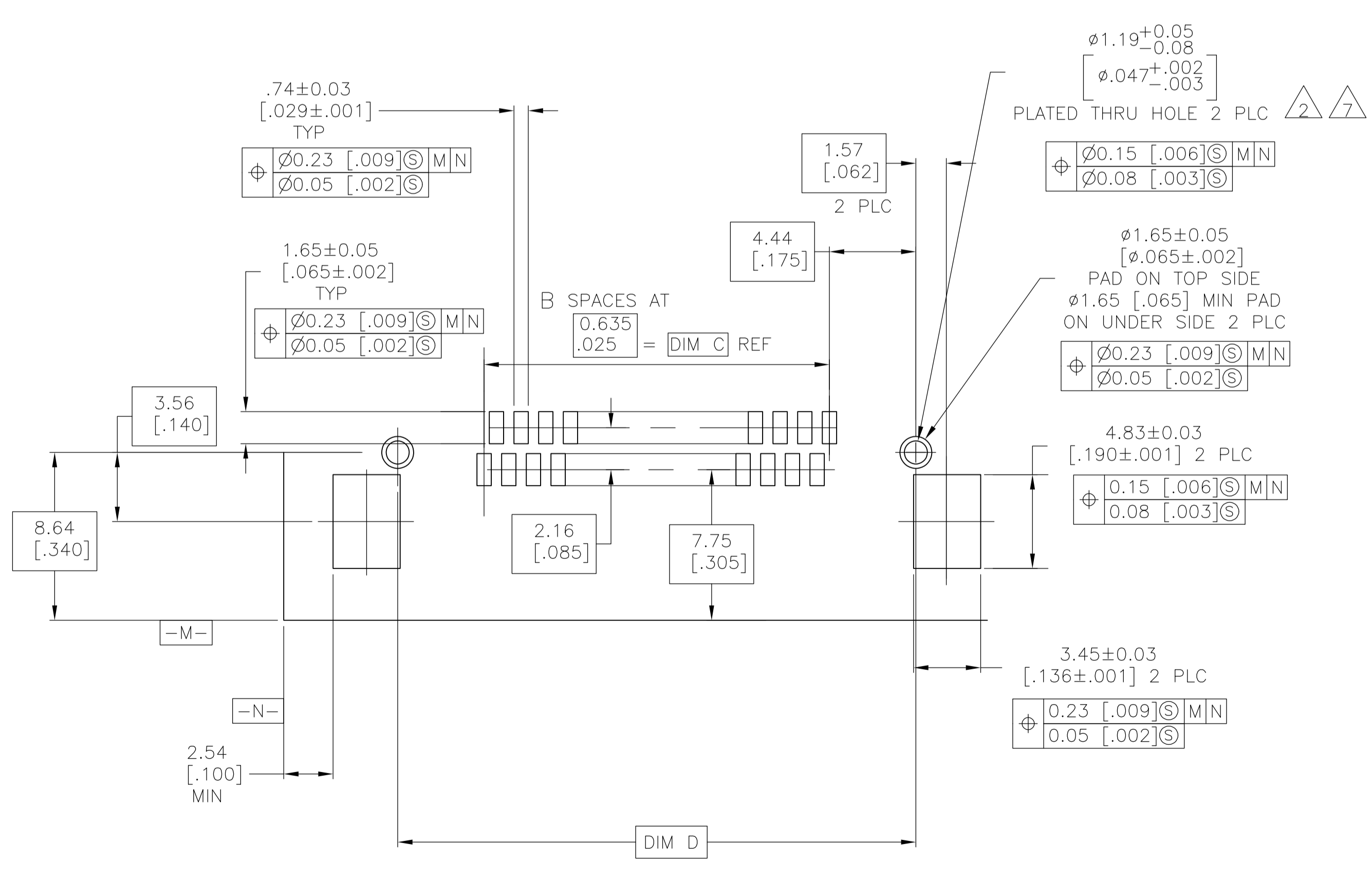


- 1 0.00076 [.000030] GOLD IN LOCALIZED PLATE AREA
0.00381 [.000150] TIN-LEAD ON SOLDER LEADS
ALL OVER 0.00127 [.000050] NICKEL
- 2 USE 1.32 ± 0.02 [.0520 ± 0.0010] DRILLED HOLE (#55 DRILL)
FINISH TO BE TIN-LEAD OVER 0.02 [.001] MIN COPPER
- 3 PLATING: 0.0038 [.000150] TIN-LEAD OVER 0.00127 [.000050] NICKEL
- 4 SERRATIONS OPTIONAL THIS SURFACE.
- 6 PLATING: 0.0038 (.00015) TIN OVER .00127 (.000050) NICKEL.
- 7 USE 1.32 ± 0.02 (.052 ± 0.0010) DRILLED HOLE (#55 DRILL)
FINISH TO BE TIN OVER 0.02 (.001) MIN COPPER



BASIC DIMENSIONS FOR EVEN NO OF SPACES (SEE TABLE)
 DETAIL R

SECTION S-S

RECOMMENDED BOARD LAYOUT
 SCALE 5:1

| | | | | | | | |
|--|---------------------------|--|--------------|---|---------------|---------------------|-------------|
| 1 3 | 14 | 26.67 [1.050] | 18.42 [.725] | 29 | 28.70 [1.130] | 30 | 1977276-2 |
| 1 3 | 4 | 13.97 [.550] | 5.72 [.225] | 9 | 16.00 [.630] | 10 | 1977276-1 |
| FINISH | NO. OF SPA (SEE DETAIL R) | D | C | B | A | NUMBER OF POSITIONS | PART NUMBER |
| THIS DRAWING IS A CONTROLLED DOCUMENT. | | DIM M BINNER 13NOV07 | | Tyco Electronics Corporation Harrisburg, PA 17105-3608 | | | |
| DIMENSIONS: mm [INCHES] | | TOLERANCES UNLESS OTHERWISE SPECIFIED: | | Tyco Electronics Corporation | | | |
| 0 PLC ± - | | 1 PLC ± - | | NAME: N.EPPLEY | | | |
| 2 PLC ± ± 0.13[.005] | | 3 PLC ± ± - | | PRODUCT SPEC: 108-1332 | | | |
| 4 PLC ± ± - | | ANGLES ± ± - | | APPLICATION SPEC: 114-7010 | | | |
| MATERIAL: LCP, COLOR BLACK | | FINISH: SEE TABLE | | WEIGHT: - | | SIZE: A1 | |
| CONTACT: BRASS | | SEE TABLE | | CUSTOMER DRAWING: 00779 | | DRAWING NO: 1977276 | |
| ALLOY: COPPER | | SEE TABLE | | SCALE: 5:1 | | SHEET 1 OF 1 | |

单击下面可查看定价，库存，交付和生命周期等信息

[>>TE Connectivity\(泰科\)](#)