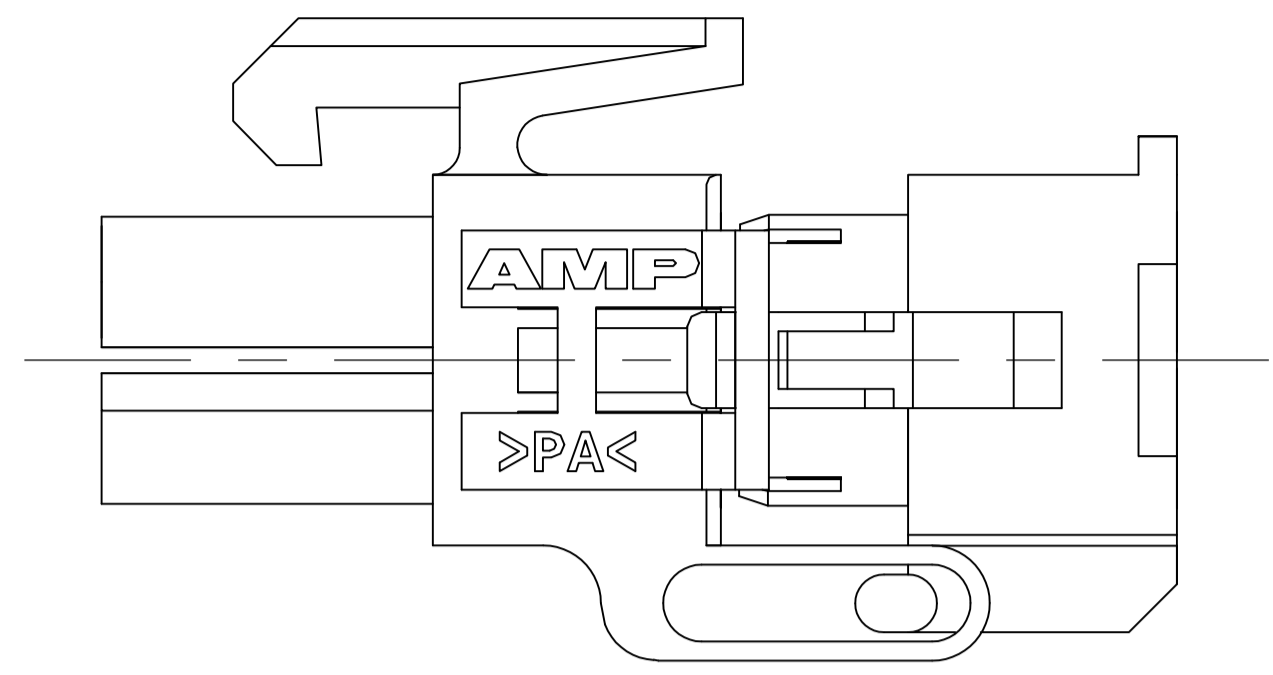
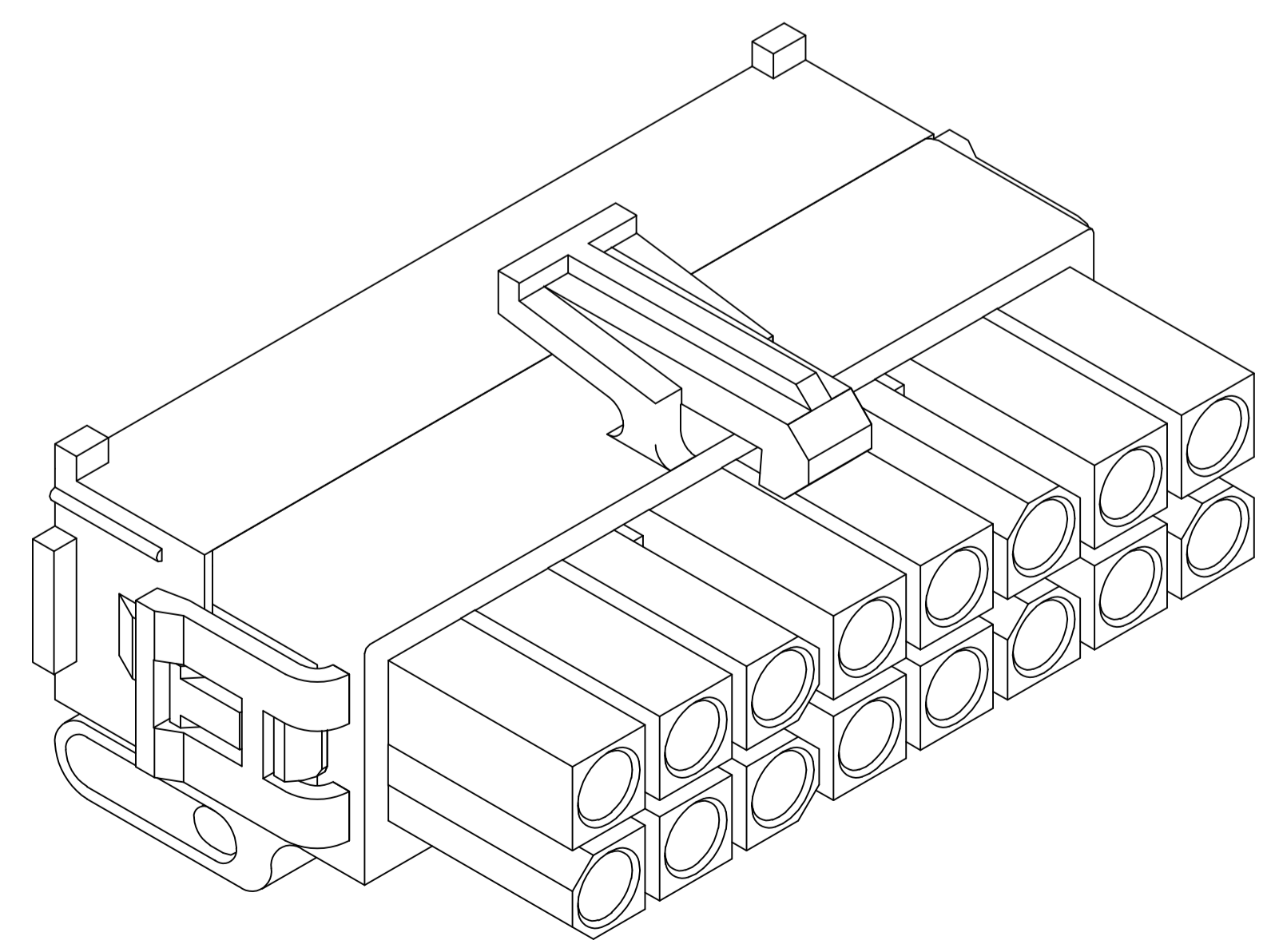
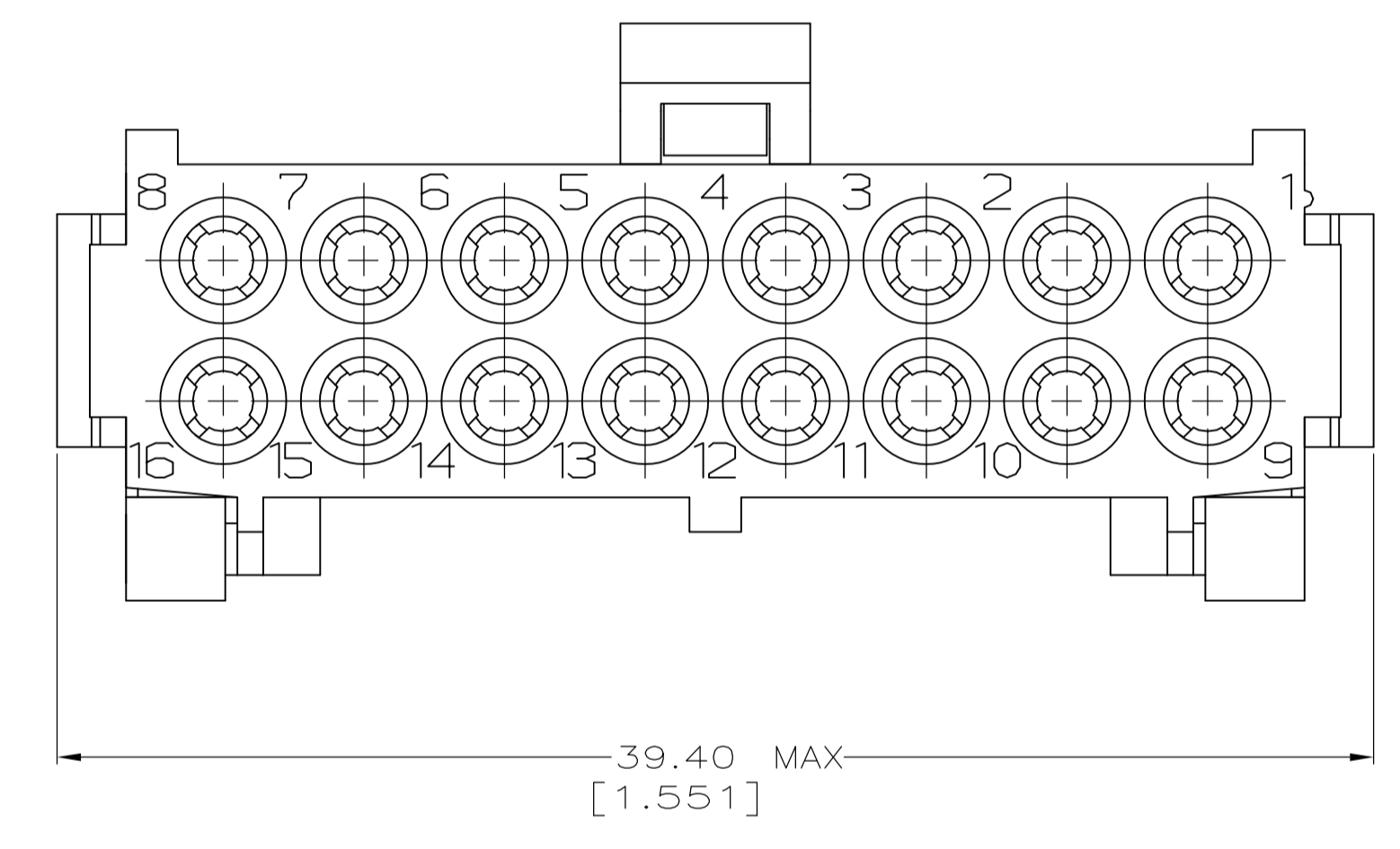
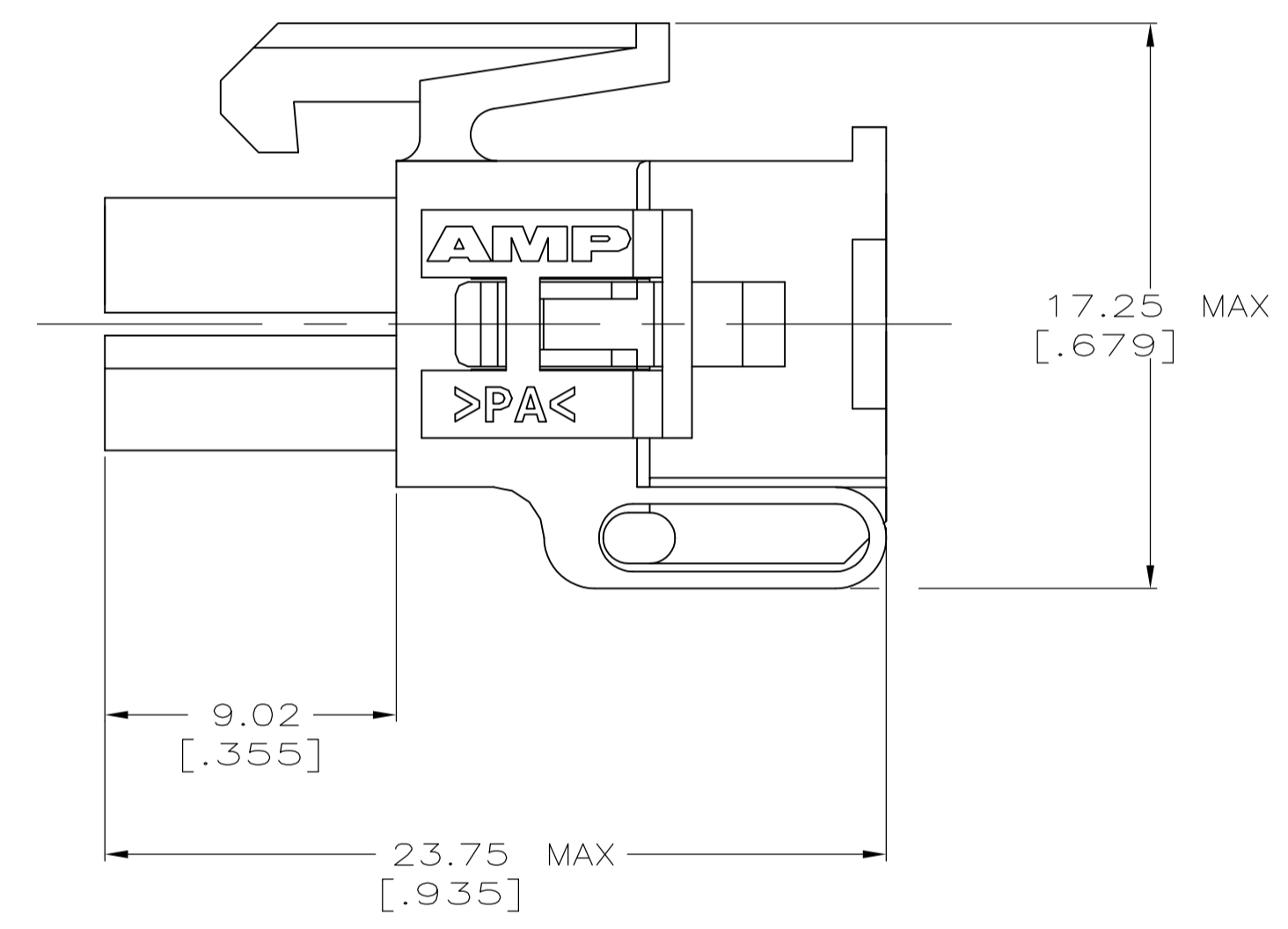
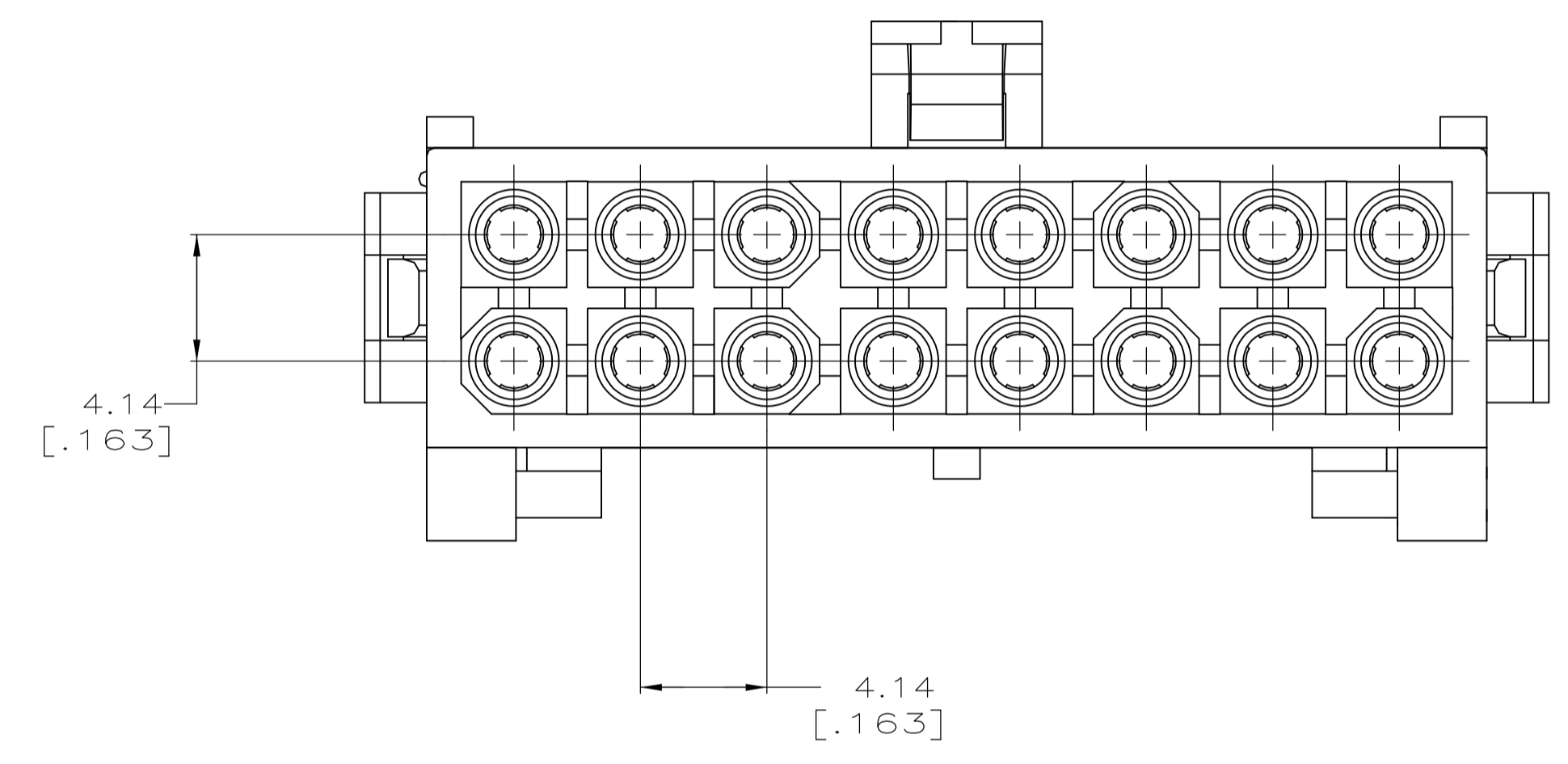


LOC		DIST		REVISIONS			
P	LTR	DESCRIPTION	DATE	DN	APVD		
CM	53	C1	REVISED PER ECR 10-025344	23FEB11	JR	TM	

1 DIMENSIONS IN BRACKETS ARE IN INCHES.



PRE-STAGED CONDITION



3-DIMENSIONAL MODEL
NTS

METRIC

794259-1
PART NUMBER

THIS DRAWING IS A CONTROLLED DOCUMENT.		DIN K. WHITAKER 5-19-97	Tyco Electronics Corporation Harrisburg, PA 17105-3608
		CHK R. SWING 5-19-97	
DIMENSIONS: mm		APP'D R. ORSTAD 5-19-97	NAME PLUG, 16 CIRCUIT, MINI UNIVERSAL MATE-N-LOK™ 2
TOLERANCES UNLESS OTHERWISE SPECIFIED:		PRODUCT SPEC	APPLICATION SPEC
0. PLC	± .005	APPLIC.	RESTRICTED TO
1. PLC	± .005	WEIGHT	A1 00779 C=794259
2. PLC	± .005	CUSTOMER DRAWING	SCALE 5:1 SHEET 1 OF 1 REV C1
3. PLC	± 0.13 [.005]		
4. PLC	± .005		
ANGLES	± .005		
MATERIAL NYLON,UL94V-2,NATURAL	FINISH -		

单击下面可查看定价，库存，交付和生命周期等信息

[>>TE Connectivity\(泰科\)](#)