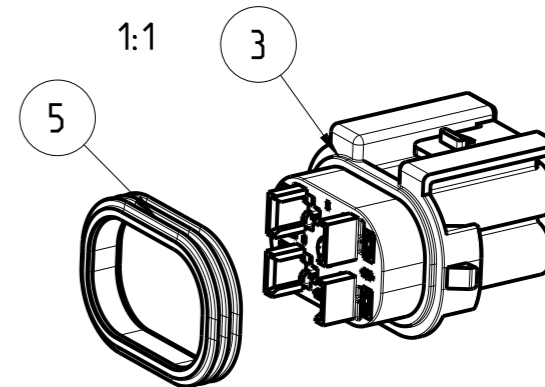
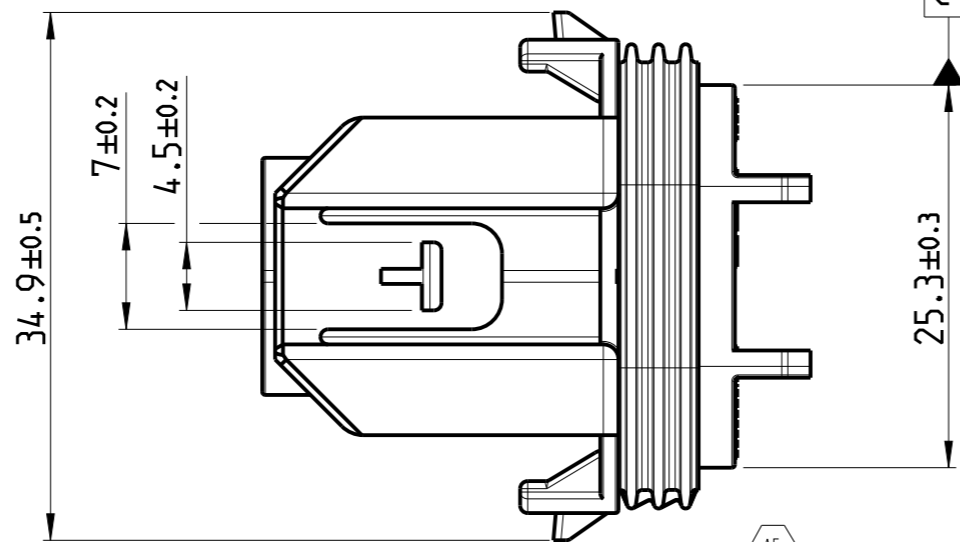
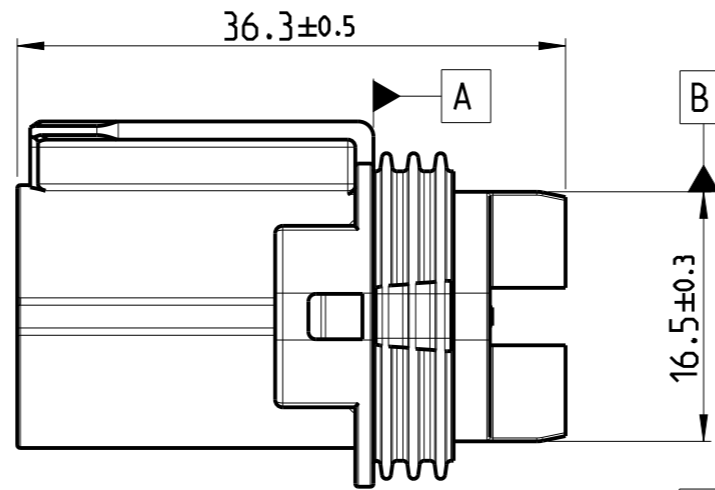
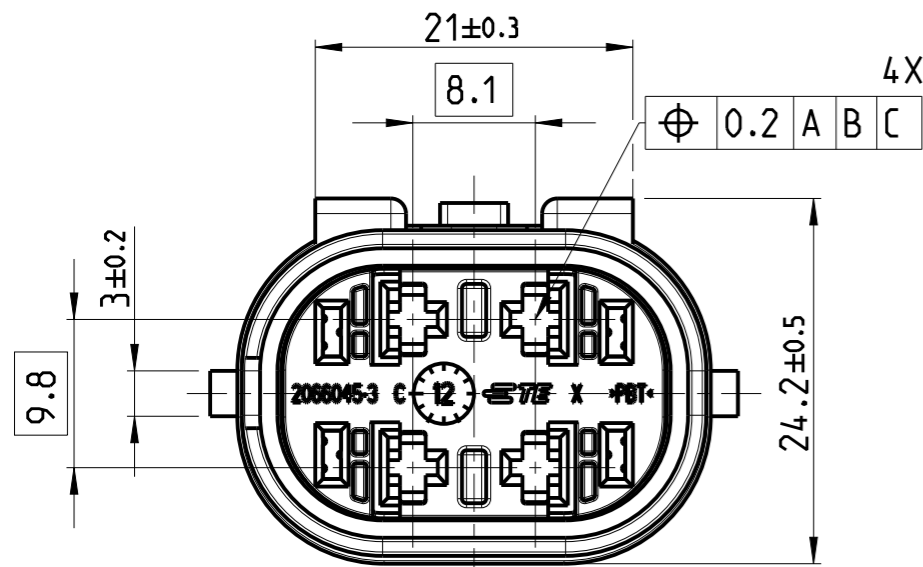


THIS DRAWING IS UNPUBLISHED  
 RELEASED FOR PUBLICATION  
 2012  
 © COPYRIGHT 2012 TE Connectivity India Ltd. ALL RIGHTS RESERVED.

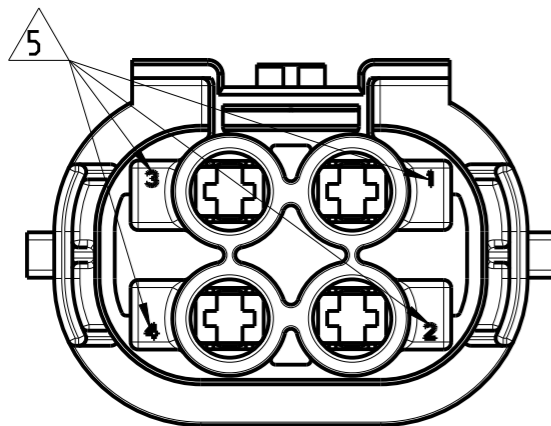
LOC	DIST	REVISIONS					
		P	LTR	DESCRIPTION	DATE	DWN	APVD
IT	-		A2	ECR-17-001057	24 JAN2017	CS	DH
			A3	ECR-19-014924	24 SEP2019	STK	DH
			A4	ECO-20-016025/ ECO-20-016231	09 NOV2020	STK	VVB
			A5	PCN: E-21-003499	24 MAR2021	AP	DH



- NOTES :-
- NO SCORES. DUST ON SEAL RING ARE PERMISSIBLE
  - REFER CONTACT PN: 968882, 968855, 968857.
  - REFER WIRE SEAL PN: 828904, 828905.
  - MATING COVER PN : 1-2066502-1, -2, -3, -4.
  - CAVITY MARKING : 1, 2, 3 & 4.
  - REFER APPLICATION SPEC FOR STANDARD CLIP OFFERINGS.

A5 2066046-3 AS SHOWN

ACTIVE		SUPERSEDED BY 2066046-4	SUPERSEDED BY 2066046-3	← PART STATUS			
← ASSEMBLY PART NUMBERS	QTY	REV	PART NO.	DESCRIPTION	MATERIAL	ITEM	
-4 -3							
1 1				D 1544767-1	2-WAY 8mm NGI INTERFACIAL SEAL	SILICON	5
1 -				C 2066045-4	2POS MINIFUSE BOX HOUSING	PBT	4
- 1				C 2066045-3	2POS MINIFUSE BOX HOUSING	PBT	3
- -				<del>B 2066045-2</del>	<del>2POS MINIFUSE BOX HOUSING</del>	<del>PBT</del>	<del>2</del>
- -				B 2066045-1	2POS MINIFUSE BOX HOUSING	PBT	1



THIS DRAWING IS A CONTROLLED DOCUMENT.

DIMENSIONS: mm

TOLERANCES UNLESS OTHERWISE SPECIFIED: DIN 16901-140

MATERIAL SEE TABLE

FINISH -

DWN RAMESH, S 14 AUG 2012  
 CHK VINAY, S 14 AUG 2012  
 APVD MADHU, J 14 AUG 2012

PRODUCT SPEC 108-72108  
 APPLICATION SPEC 114-72110  
 WEIGHT -

**TE** TE Connectivity

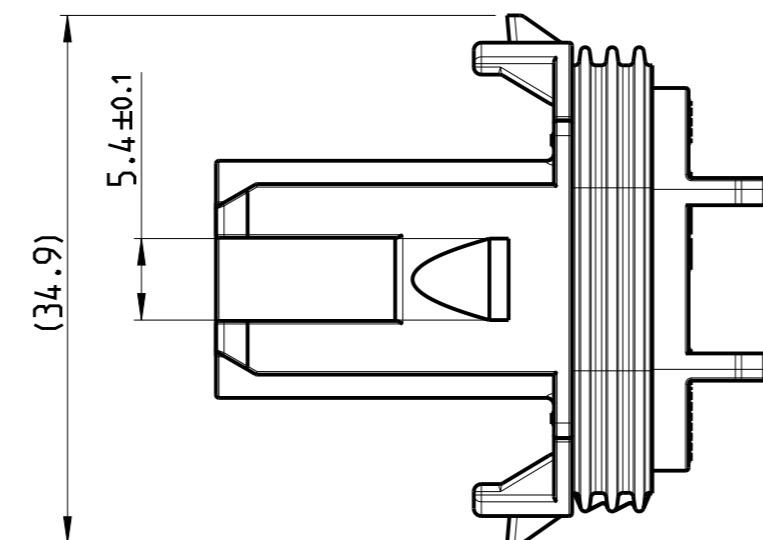
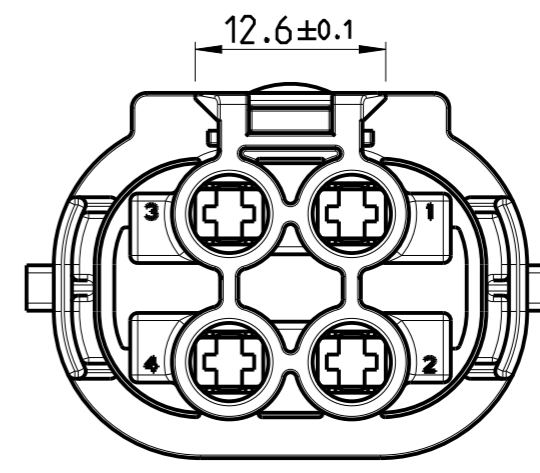
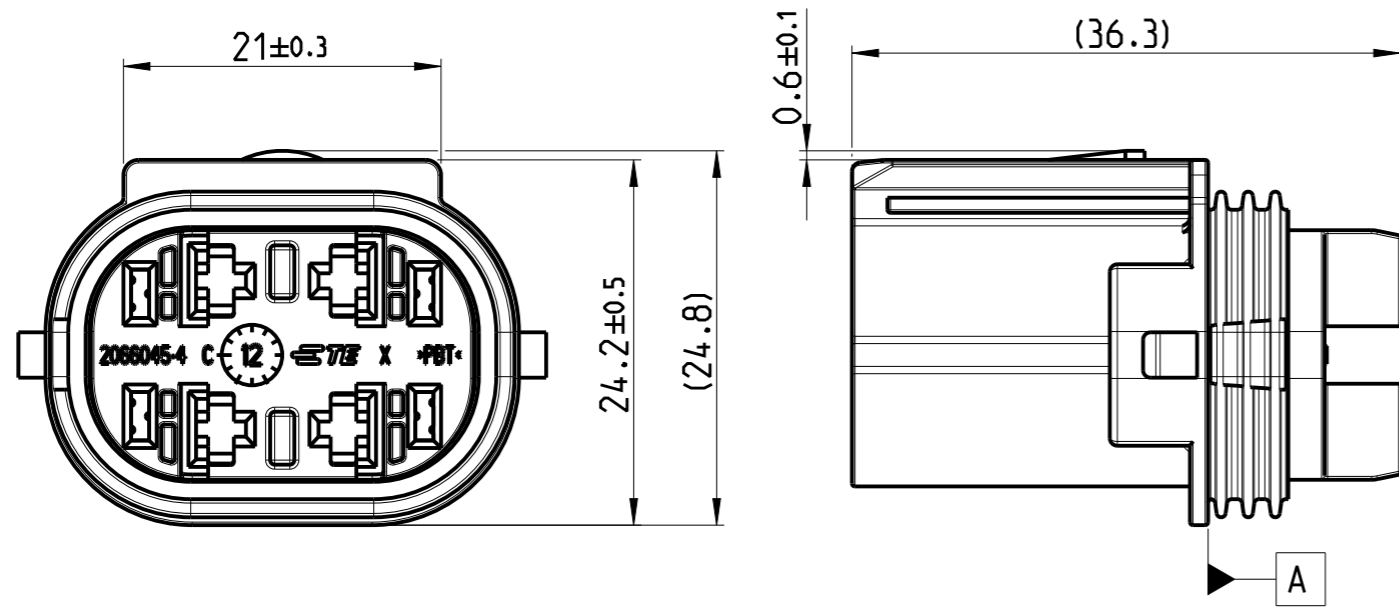
NAME 2 POS SEALED MINIFUSE BOX HOUSING ASSY

SIZE A3 CAGE CODE 00779 DRAWING NO C-2066046 RESTRICTED TO

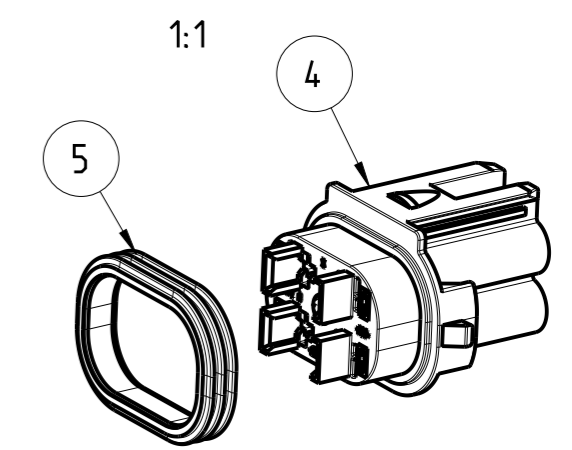
CUSTOMER DRAWING SCALE 2:1 SHEET 1 OF 3 REV A5


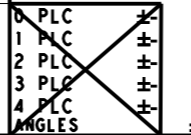
THIS DRAWING IS UNPUBLISHED  
 RELEASED FOR PUBLICATION 2012  
 © COPYRIGHT 2012 TE Connectivity India Ltd. ALL RIGHTS RESERVED.

LOC	DIST	REVISIONS					
IT	-	P	LTR	DESCRIPTION	DATE	DWN	APVD
		-		SEE SHEET 1	-	-	-



A5 2066046-4 AS SHOWN



THIS DRAWING IS A CONTROLLED DOCUMENT.		DWN RAMESH, S 14 AUG 2012	 TE Connectivity			
DIMENSIONS: mm		CHK VINAY, S 14 AUG 2012				
TOLERANCES UNLESS OTHERWISE SPECIFIED: DIN 16901-140		APVD MADHU, J 14 AUG 2012	NAME 2 POS SEALED MINIFUSE BOX HOUSING ASSY			
		PRODUCT SPEC 108-72108	SIZE A3	CAGE CODE 00779	DRAWING NO C-2066046	RESTRICTED TO
MATERIAL SEE TABLE		APPLICATION SPEC 114-72110	SCALE 5:1		SHEET 2 OF 3	REV A5
		WEIGHT -	CUSTOMER DRAWING			

THIS DRAWING IS UNPUBLISHED.

RELEASED FOR PUBLICATION

2012

© COPYRIGHT 2012

TE Connectivity India Ltd.

ALL RIGHTS RESERVED.

LOC IT DIST -

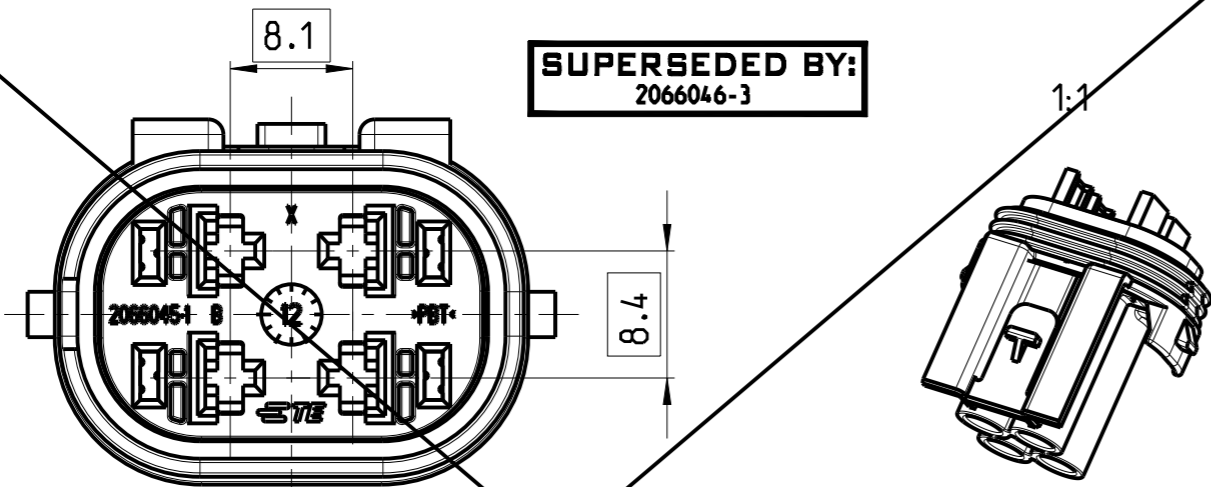
REVISIONS

P	LTR	DESCRIPTION	DATE	DWN	APVD
-	-	SEE SHEET 1	-	-	-

2066046-1

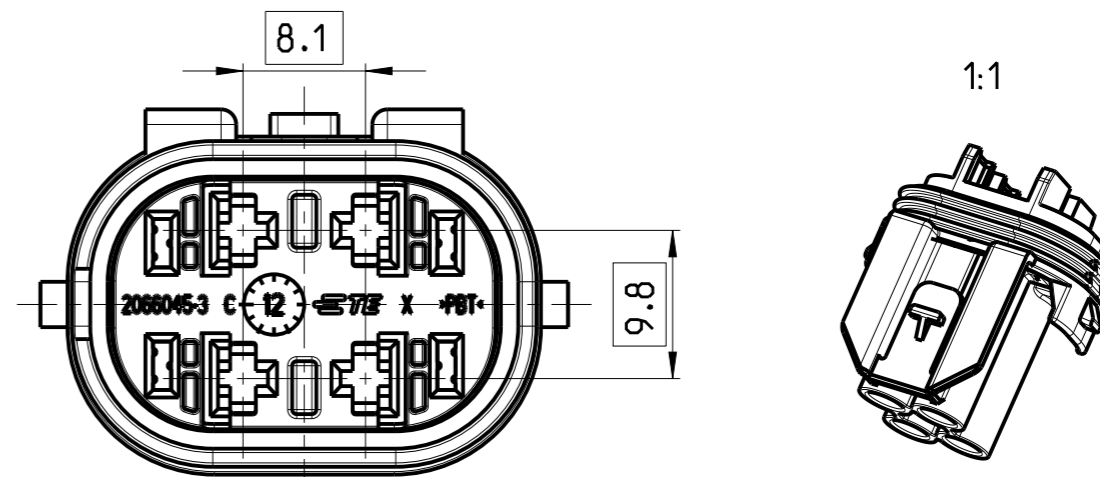
A4

**SUPERSEDED BY:**  
2066046-3



2066046-3

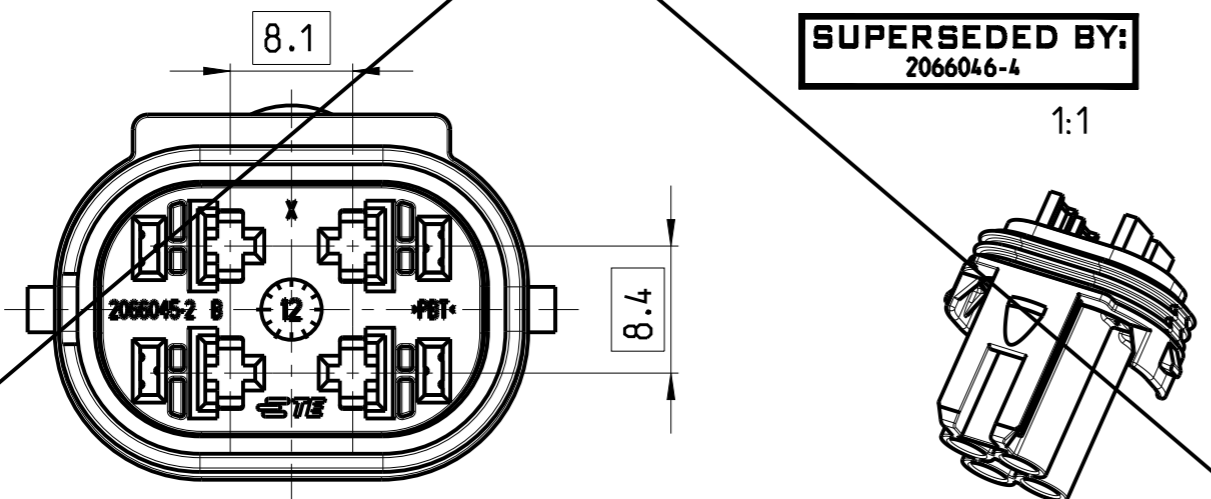
A3



2066046-2

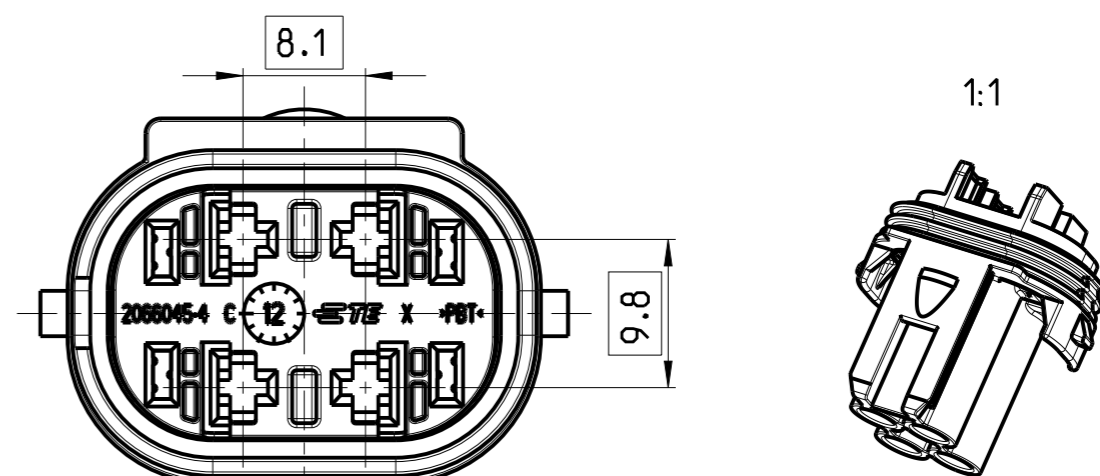
A4

**SUPERSEDED BY:**  
2066046-4



2066046-4

A3



THIS DRAWING IS A CONTROLLED DOCUMENT.

DIMENSIONS: mm		TOLERANCES UNLESS OTHERWISE SPECIFIED:	
		0 PLC	±
		1 PLC	±
		2 PLC	±
		3 PLC	±
		4 PLC	±
		ANGLES	±1°
MATERIAL SEE TABLE		FINISH	-

DWN	RAMESH, S	14 AUG 2012
CHK	VINAY, S	14 AUG 2012
APVD	MADHU, J	14 AUG 2012
PRODUCT SPEC	108-72108	
APPLICATION SPEC	114-72110	
WEIGHT	-	

**TE** TE Connectivity

NAME 2 POS SEALED MINIFUSE BOX HOUSING ASSY				RESTRICTED TO	
SIZE	CAGE CODE	DRAWING NO			
A3	00779	C-2066046			

CUSTOMER DRAWING SCALE 2:1 SHEET 3 OF 3 REV A5

单击下面可查看定价，库存，交付和生命周期等信息

[>>TE Connectivity\(泰科\)](#)