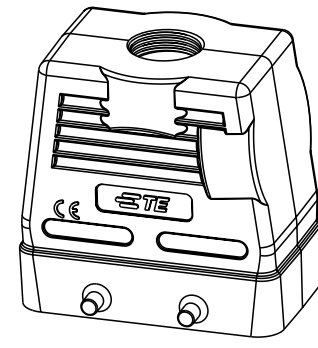
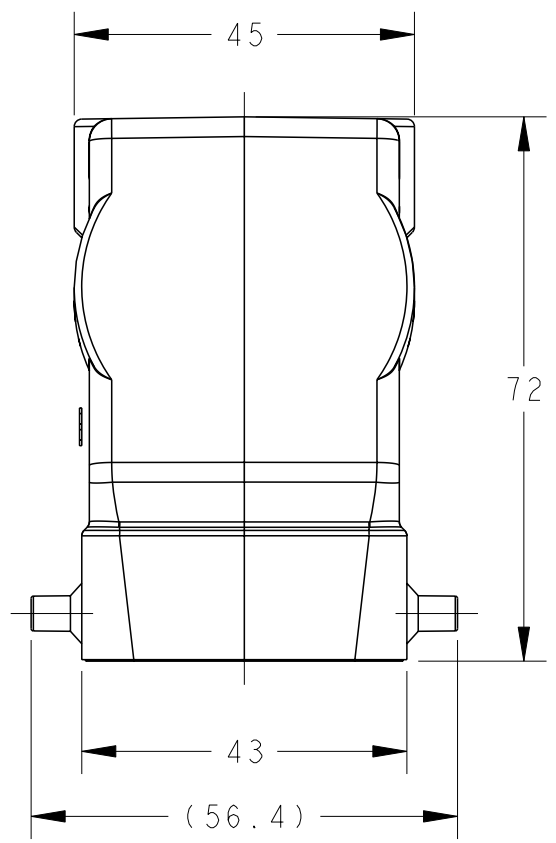
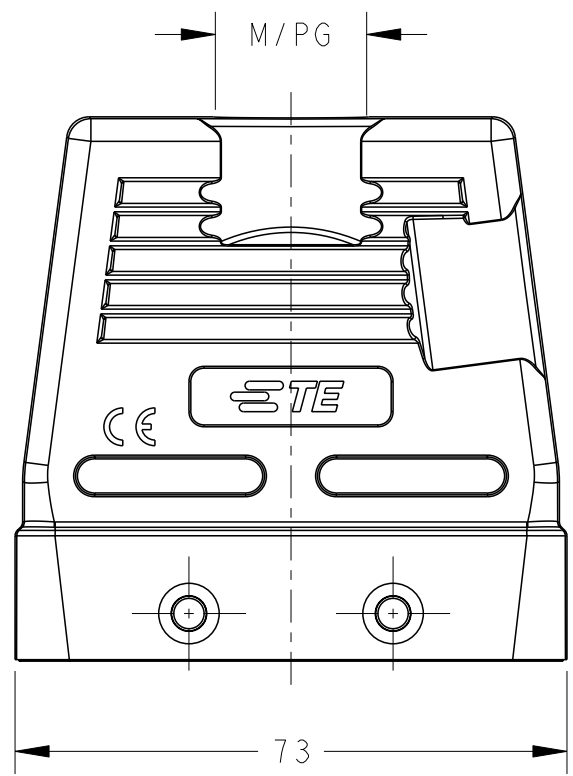


THIS DRAWING IS UNPUBLISHED. RELEASED FOR PUBLICATION 20
 © COPYRIGHT 20 BY - ALL RIGHTS RESERVED.

REVISIONS					
P	LTR	DESCRIPTION	DATE	DWN	APVD
	A	INITIAL	11JUN2015	DW	CW
	B	ECR-20-008181	28JUN2020	WQR	CW
	B1	ECR-21-103925	01JUN2021	WQR	CW

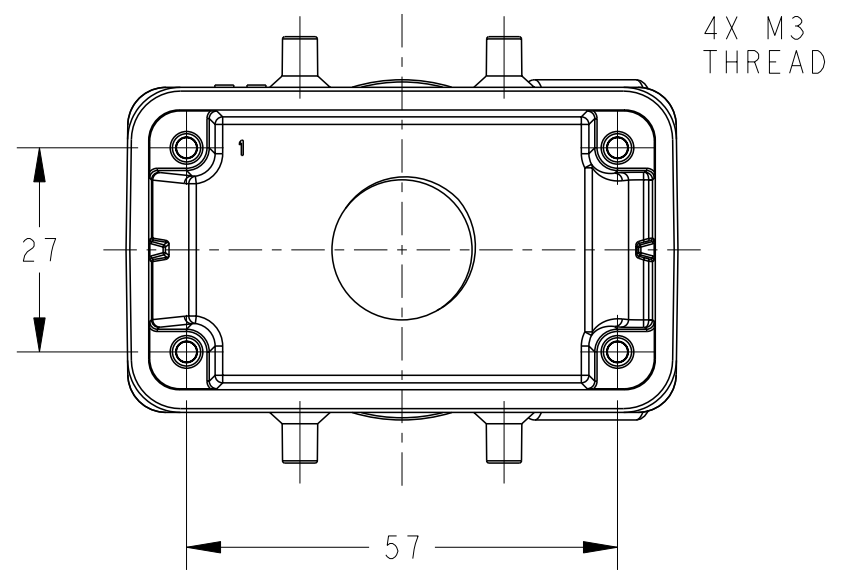


SCALE 1:2



NOTES:
 1. TECHNICAL CHARACTERISTICS:
 HOOD MATERIAL: DIE CAST ALUMINIUM ALLOY
 SURFACE: POWDER COATED, GREY
 DEGREE OF PROTECTION: IP65 (MATED)

注释:
 1. 技术参数:
 上壳材料: 铝合金
 表面处理: 粉末涂层, 灰色
 防护等级: IP65(配合)



T1240100116-000	H10B-TGH-PG16	HIGH CONSTRUCTION	PG16
T1240100120-000	H10B-TGH-M20		M20
T1240100121-000	H10B-TGH-PG21		PG21
T1240100125-000	H10B-TGH-M25		M25
T1240100129-000	H10B-TGH-PG29		PG29
T1240100130-000	H10B-TGH-M30		M30
T1240100132-000	H10B-TGH-M32		M32
T1240100140-000	H10B-TGH-M40		M40
PART NUMBER	DESCRIPTION	TYPE	THREAD M/PG

THIS DRAWING IS A CONTROLLED DOCUMENT.		DWN 11JUN2015 David Wang	TE Connectivity											
DIMENSIONS: mm		CHK 11JUN2015 Chris Wang			NAME H10B-TGH-M/PG									
TOLERANCES UNLESS OTHERWISE SPECIFIED:		APVD 11JUN2015 Xiang Xu												
<table border="0"> <tr> <td>0 PLC</td><td>±-</td></tr> <tr> <td>1 PLC</td><td>±-</td></tr> <tr> <td>2 PLC</td><td>±-</td></tr> <tr> <td>3 PLC</td><td>±-</td></tr> <tr> <td>4 PLC</td><td>±-</td></tr> <tr> <td>ANGLES</td><td>±-</td></tr> </table>		0 PLC			±-	1 PLC	±-	2 PLC	±-	3 PLC	±-	4 PLC	±-	ANGLES
0 PLC	±-													
1 PLC	±-													
2 PLC	±-													
3 PLC	±-													
4 PLC	±-													
ANGLES	±-													
MATERIAL	FINISH	APPLICATION SPEC 114-137013	SIZE A3	CAGE CODE 00779	DRAWING NO T12401001XX000	RESTRICTED TO -								
		WEIGHT -	Customer Drawing		SCALE 1:1	SHEET 1 OF 1	REV B1							

printed on 17 Jun 2021 10:20 (China Standard Time) from TE343646

单击下面可查看定价，库存，交付和生命周期等信息

[>>TE Connectivity\(泰科\)](#)