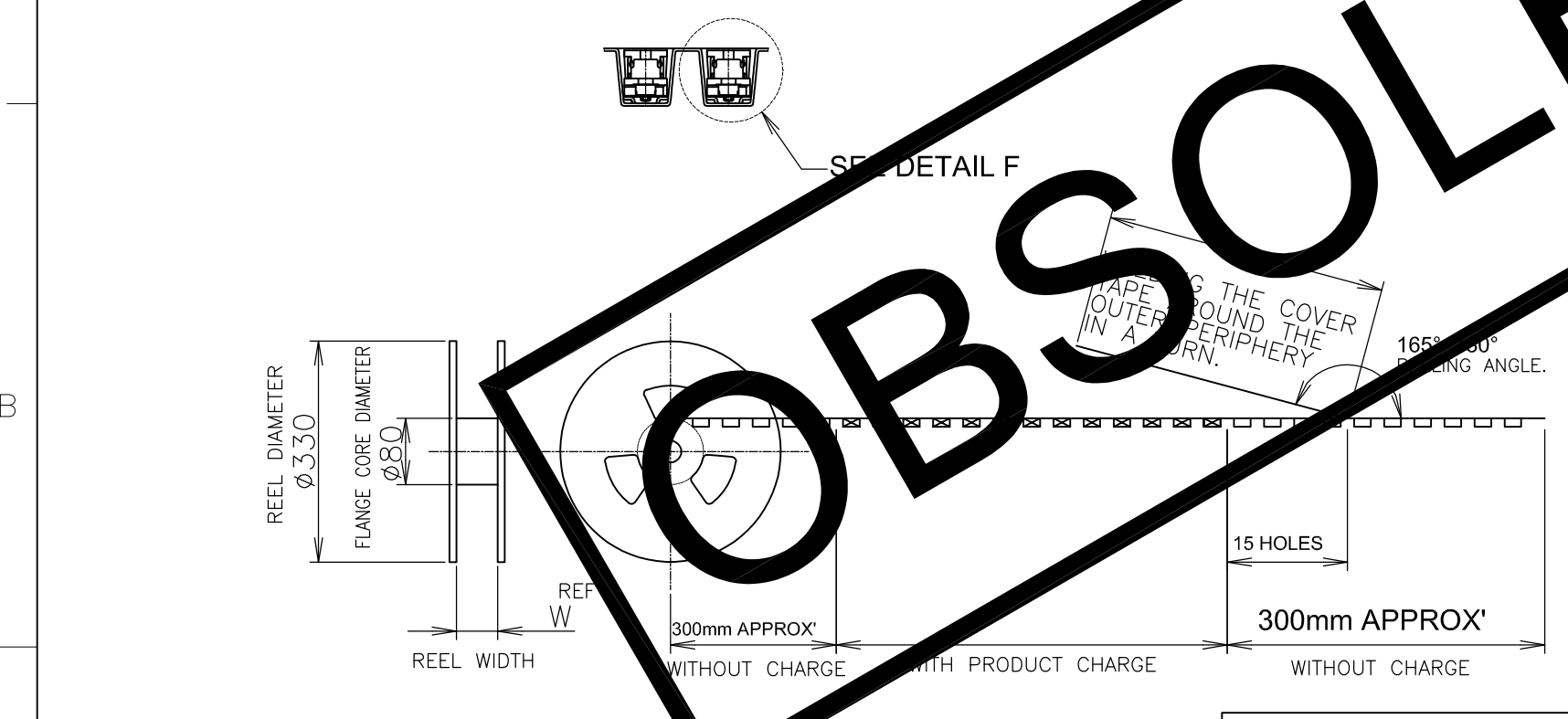
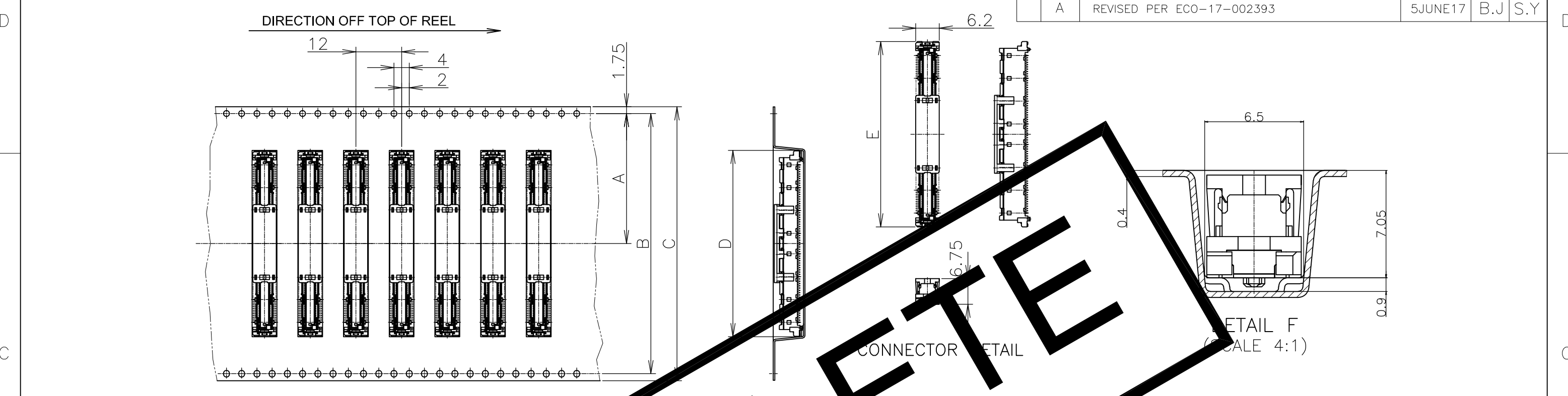


THIS DRAWING IS UNPUBLISHED. RELEASED FOR PUBLICATION JAN ,2002.
 © COPYRIGHT 2002 BY TYCO ELECTRONICS CORPORATION. ALL RIGHTS RESERVED.

LOC	DIST	REVISIONS			
P	LTR	DESCRIPTION	DATE	DWN	APVD
	O	RELEASED	FJB0-0001-05	10DEC04	H.H I.E
	A	REVISED PER ECO-17-002393		5JUNE17	B.J S.Y



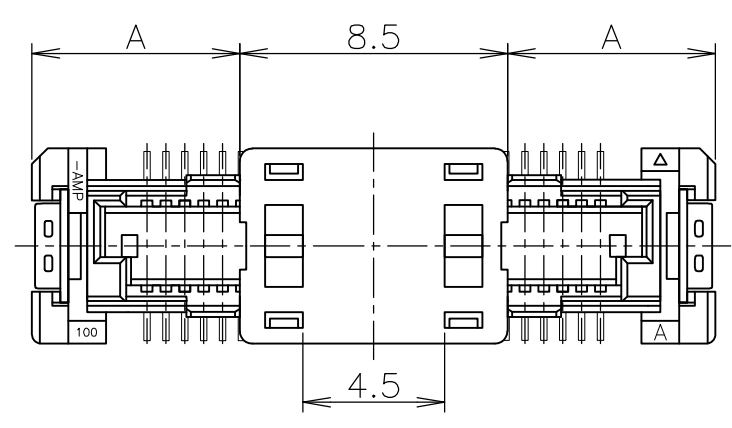
OBSOLETE

SEALANT	STATUS	QTY	W	E	D	C	B	A	POS.	PART NO.
SEALANT(SIF-200B)	NOT AVAILABLE	650	77.5	54.7	55	72	68.4	34.2	160	
			77.5	48.7	49	72	68.4	34.2	140	
			61.5	42.7	43	56	52.4	26.2	120	
			61.5	36.7	37	56	52.4	26.2	100	
			61.5	33.7	34	56	52.4	26.2	90	
			49.5	30.7	31	44	40.4	20.2	80	
			49.5	27.7	28	44	40.4	20.2	70	
			49.5	24.7	25	44	40.4	20.2	60	
	NOT AVAILABLE	650	37.5	21.7	22	32	28.4	14.2	50	
	NON SEALANT	NOT AVAILABLE	650	77.5	54.7	55	72	68.4	34.2	160
			77.5	48.7	49	72	68.4	34.2	140	
			61.5	42.7	43	56	52.4	26.2	120	
			61.5	36.7	37	56	52.4	26.2	100	
			61.5	33.7	34	56	52.4	26.2	90	
			49.5	30.7	31	44	40.4	20.2	80	
			49.5	27.7	28	44	40.4	20.2	70	
			49.5	24.7	25	44	40.4	20.2	60	
NOT AVAILABLE		650	37.5	21.7	22	32	28.4	14.2	50	6612008-3
AVAILABLE		650	37.5	21.7	22	32	28.4	14.2	50	6612008-3

THIS DRAWING IS A CONTROLLED DOCUMENT.		DWN	HAWKING HE	10DEC04	Tyco Electronics AMP K.K. Kawasaki,Japan				
DIMENSIONS: MM		CHK	STEVEN YAO	10DEC04	NAME				
TOLERANCES UNLESS OTHERWISE SPECIFIED:		APVD	I.ENOMOTO	10DEC04	EMBOSS ASSY				
0 PLC ± 0.2		PRODUCT SPEC			FH 0.6BTB CONNECTOR				
1 PLC ± 0.2		108-60047			PLUG 6H STD TYPE WITH 1ROW CAP				
2 PLC ± 0.2		APPLICATION SPEC			SIZE	CAGE CODE	DRAWING NO	RESTRICTED TO	
3 PLC ± 0.2		114-5255			A3	00779	C-6612008		
4 PLC ± 0.2		WEIGHT			CUSTOMER DRAWING				
ANGLES ± 5°		SCALE			1:1		SHEET 1 OF 4		REV A
MATERIAL		FINISH							

THIS DRAWING IS UNPUBLISHED. RELEASED FOR PUBLICATION JUN , 1996.
 © COPYRIGHT 1996 BY TYCO ELECTRONICS CORPORATION. ALL RIGHTS RESERVED.

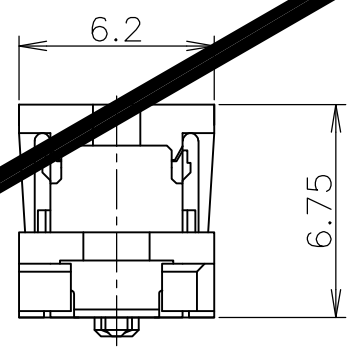
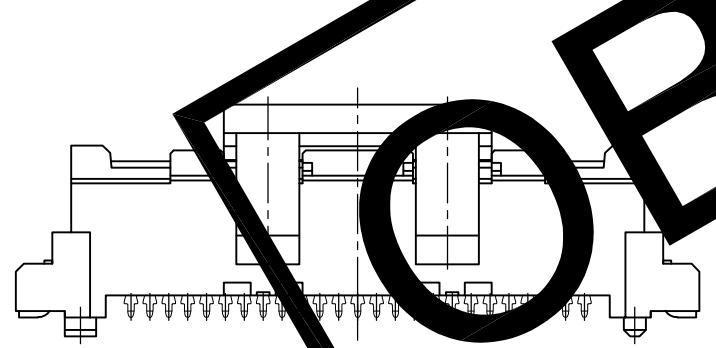
LOC	DIST	REVISIONS			
P	LTR	DESCRIPTION	DATE	DWN	APVD
	-	SEE SHEET 1	-	-	-



1 CONNECTORS DIMENSION AND RECOMMENDED P.C. BOARD LAYOUT : SEE CONNECTOR DRAWING

OBSOLETE

LEAD FREE

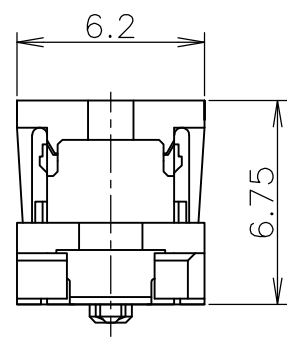
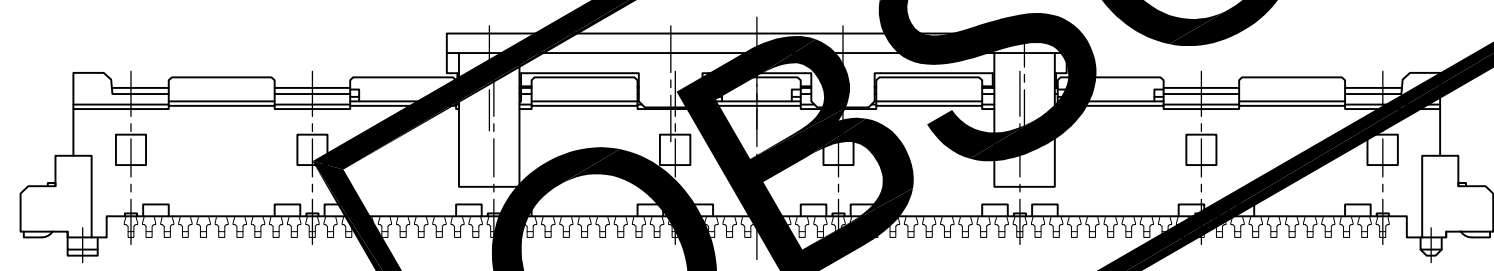
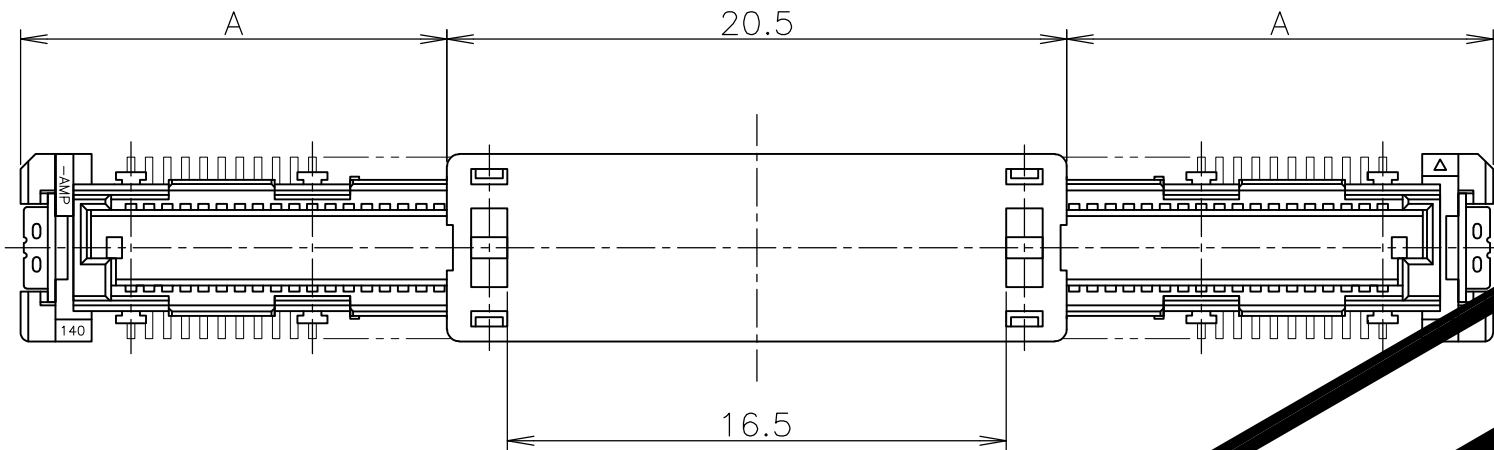


NOT AVAILABLE		80	
NOT AVAILABLE		70	
NOT AVAILABLE		60	
AVAILABLE	6.6	50	1123835-2
TOOLING STATUS	A	POS	CAP P/N

THIS DRAWING IS A CONTROLLED DOCUMENT.		DWN HAWKING HE 10DEC04	tyco Tyco Electronics AMP K.K.	
DIMENSIONS: MM		CHK STEVEN YAO 10DEC04	Electronics Kawasaki.Japan	
TOLERANCES UNLESS OTHERWISE SPECIFIED:		APVD I. ENOMOTO 10DEC04	NAME	
0 PLC ± 0.2		PRODUCT SPEC	EMBOSS ASSY	
1 PLC ± 0.2		108-60047	FH 0.6BTB CONNECTOR	
2 PLC ± 0.2		APPLICATION SPEC	PLUG 6H STD TYPE WITH 1ROW CAP	
3 PLC ± 0.2		114-5255	SIZE A3	CAGE CODE 00779
4 PLC ± 0.2		WEIGHT	DRAWING NO C-6612008	RESTRICTED TO
ANGLES ± 3'				
FINISH		CUSTOMER DRAWING	SCALE 4:1	SHEET 2 OF 4
MATERIAL				REV A

THIS DRAWING IS UNPUBLISHED. RELEASED FOR PUBLICATION JUN , 1996.
 © COPYRIGHT 1996 BY TYCO ELECTRONICS CORPORATION. ALL RIGHTS RESERVED.

LOC	DIST	REVISIONS			
P	LTR	DESCRIPTION	DATE	DWN	APVD
		SEE SHEET 1	-	-	-



1 CONNECTORS DIMENSION AND RECOMMENDED P.C. BOARD LAYOUT : SEE CONNECTOR DRAWING

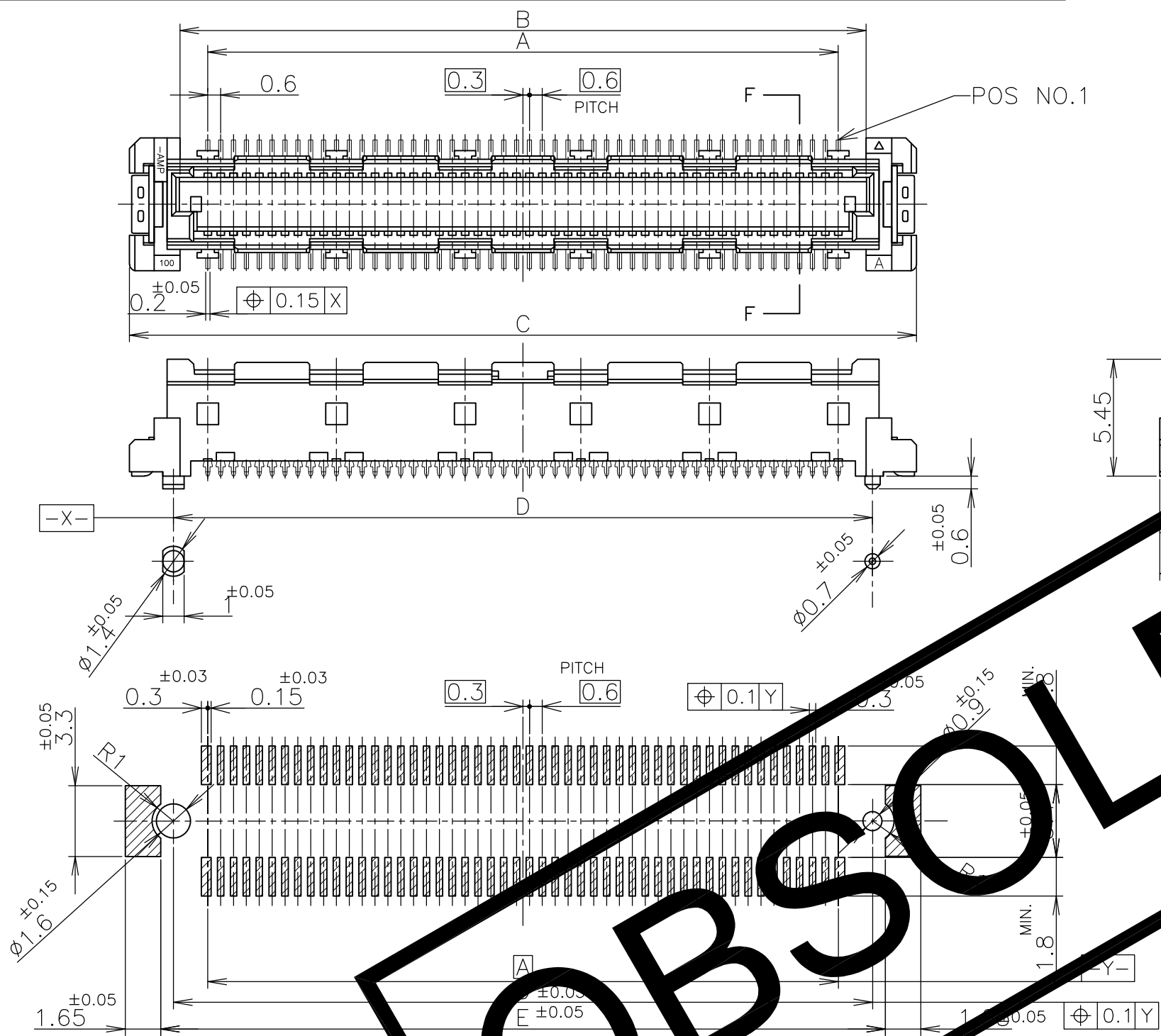
OBSOLETE

LEAD FREE

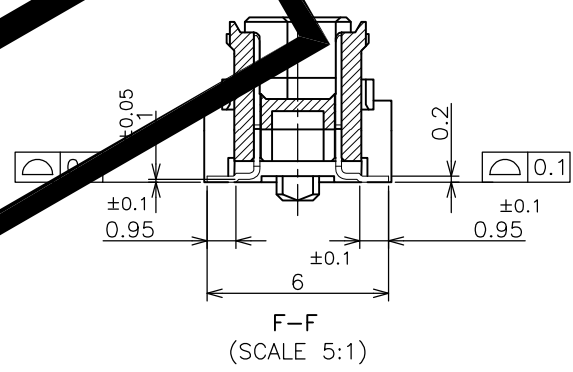
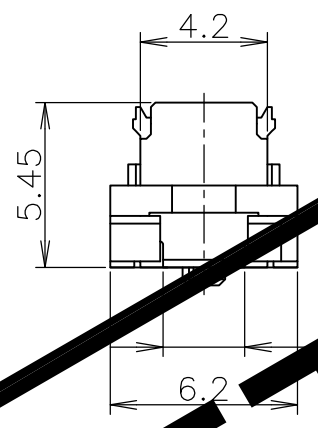
NOT AVAILABLE		160	
NOT AVAILABLE		140	
NOT AVAILABLE		120	
NOT AVAILABLE		100	
NOT AVAILABLE		90	
TOOLING STATUS	A	POS	CAP P/N

THIS DRAWING IS A CONTROLLED DOCUMENT.		DWN HAWKING HE 10DEC04	Tyco Electronics AMP K.K. Kawasaki, Japan	
DIMENSIONS: MM		CHK STEVEN YAO 10DEC04		
TOLERANCES UNLESS OTHERWISE SPECIFIED:		APVD I.ENOMOTO 10DEC04	NAME	
0 PLC ± 0.2		PRODUCT SPEC	EMBOSS ASSY	
1 PLC ± 0.2		108-60047	FH 0.6BTB CONNECTOR	
2 PLC ± 0.2		APPLICATION SPEC	PLUG 6H STD TYPE WITH 1ROW CAP	
3 PLC ± 0.2		114-5255	SIZE	RESTRICTED TO
4 PLC ± 0.2		WEIGHT	A3 00779	
ANGLES ± 3'		CUSTOMER DRAWING	DRAWING NO	
FINISH			C-6612008	
		SCALE 4:1	SHEET 3 OF 4	REV A

LOC	DIST	REVISIONS					
J	/	P	LTR	DESCRIPTION	DATE	DWN	APVD
		-	-	SEE SHEET 1	-	-	-



- ① MATERIAL : HOUSING : HIGH TEMP THERMO PLASTIC UL94V-0
CONTACT : COPPER ALLOY
- ② FINISH : UNDER PL Ni 0.0013mm MIN ALL OVER.
CONTACT AREA 0.0002 MIN Au PL.
SOLDERING AREA 0.001 MIN TIN PL.
- ③ SEE PACKING ASSY DWG AS FINAL ASSY PART NUMBER.



LEAD FREE

RECOMMENDED P.C. BOARD LAYOUT (VIEW FROM OP. MOUNTING SIDE)

NOT AVAILABLE	51.8	50.6	54.7	47.4	160
AVAILABLE	45.8	44.6	48.7	44	140
NOT AVAILABLE	39.8	38.6	42.7	38	120
AVAILABLE	33.8	32.6	36.7	32	100
NOT AVAILABLE	30.8	29.6	33.7	29	90
NOT AVAILABLE	27.8	26.6	30.7	26	80
AVAILABLE	24.8	23.6	27.7	23	70
NOT AVAILABLE	21.8	20.6	24.7	20	60
AVAILABLE	18.8	17.6	21.7	17	50
NOT AVAILABLE	15.8	14.6	18.7	14	40
NOT AVAILABLE	12.8	11.6	15.7	11	30
TOOLING STATUS	E	D	C	B	A
					POS

THIS DRAWING IS A CONTROLLED DOCUMENT.

DIMENSIONS:		TOLERANCES UNLESS OTHERWISE SPECIFIED:	
MM			
	0 PLC	± 0.3	
	1 PLC	± 0.3	
	2 PLC	± 0.3	
	3 PLC	± 0.3	
	4 PLC ANGLES	± 3'	
MATERIAL	FINISH		
①	②		

DWN HAWKING HE	10DEC04			Tyco Electronics AMP K.K. Kawasaki, Japan	
CHK STEVEN YAO	10DEC04	NAME		EMBOSS ASSY	
APVD I.ENOMOTO	10DEC04	PRODUCT SPEC		FH 0.6BTB CONNECTOR	
108-60047		APPLICATION SPEC		PLUG 6H STD TYPE WITH 1ROW CAP	
114-5255		SIZE	CAGE CODE	DRAWING NO	RESTRICTED TO
CUSTOMER DRAWING		A3	00779	G-6612008	
SCALE 4:1			SHEET 4 OF 4	REV A	

单击下面可查看定价，库存，交付和生命周期等信息

[>>TE Connectivity\(泰科\)](#)