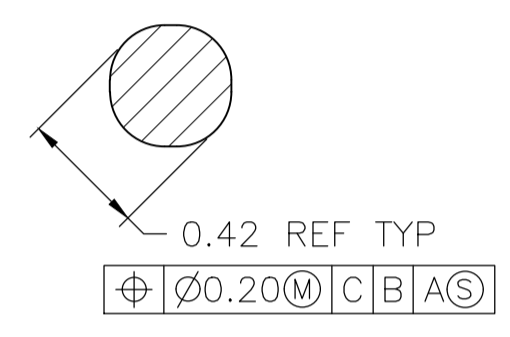
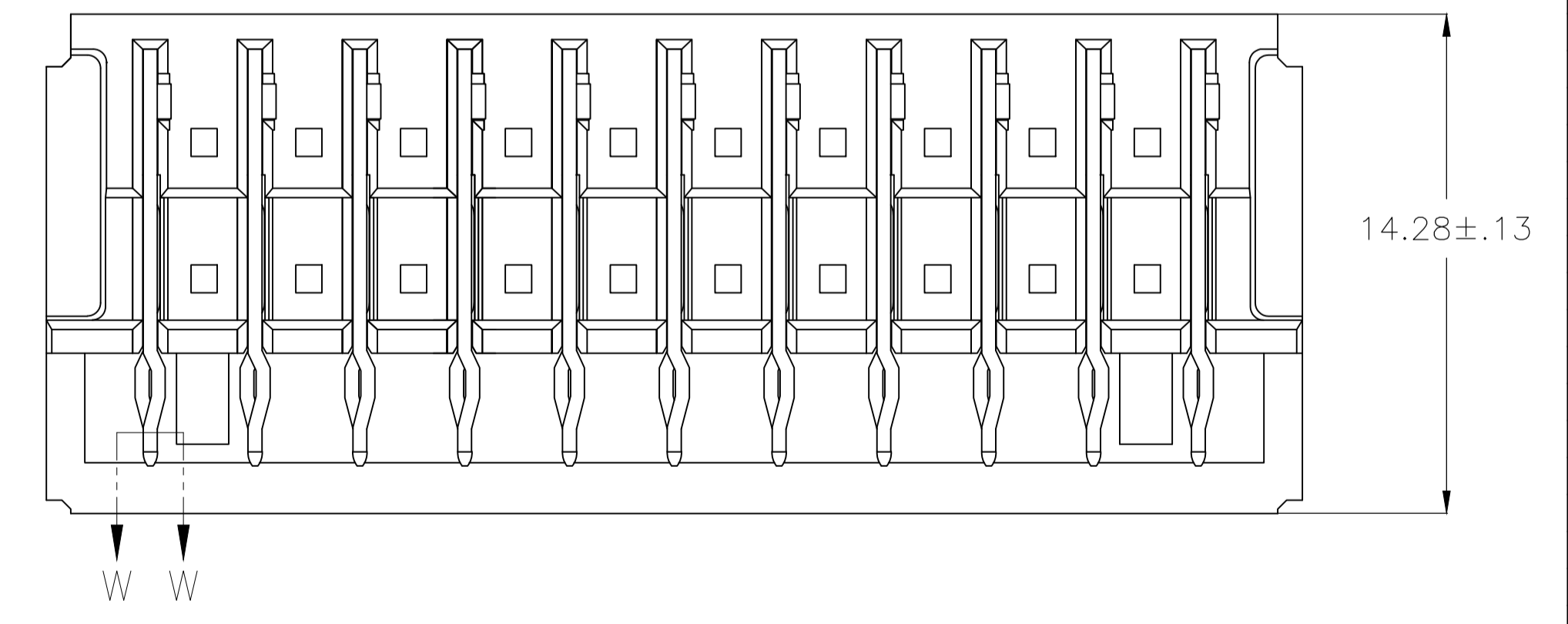
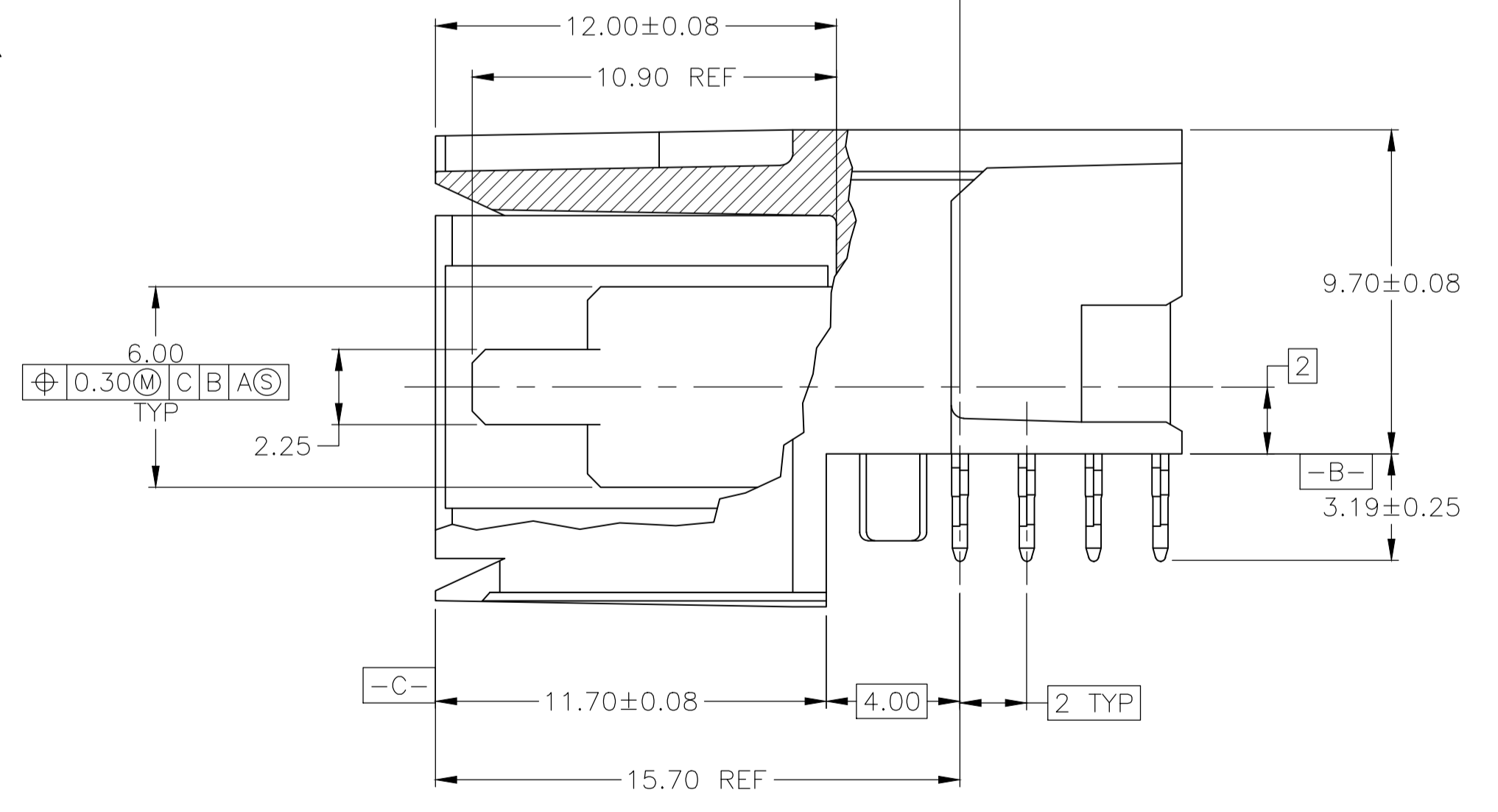
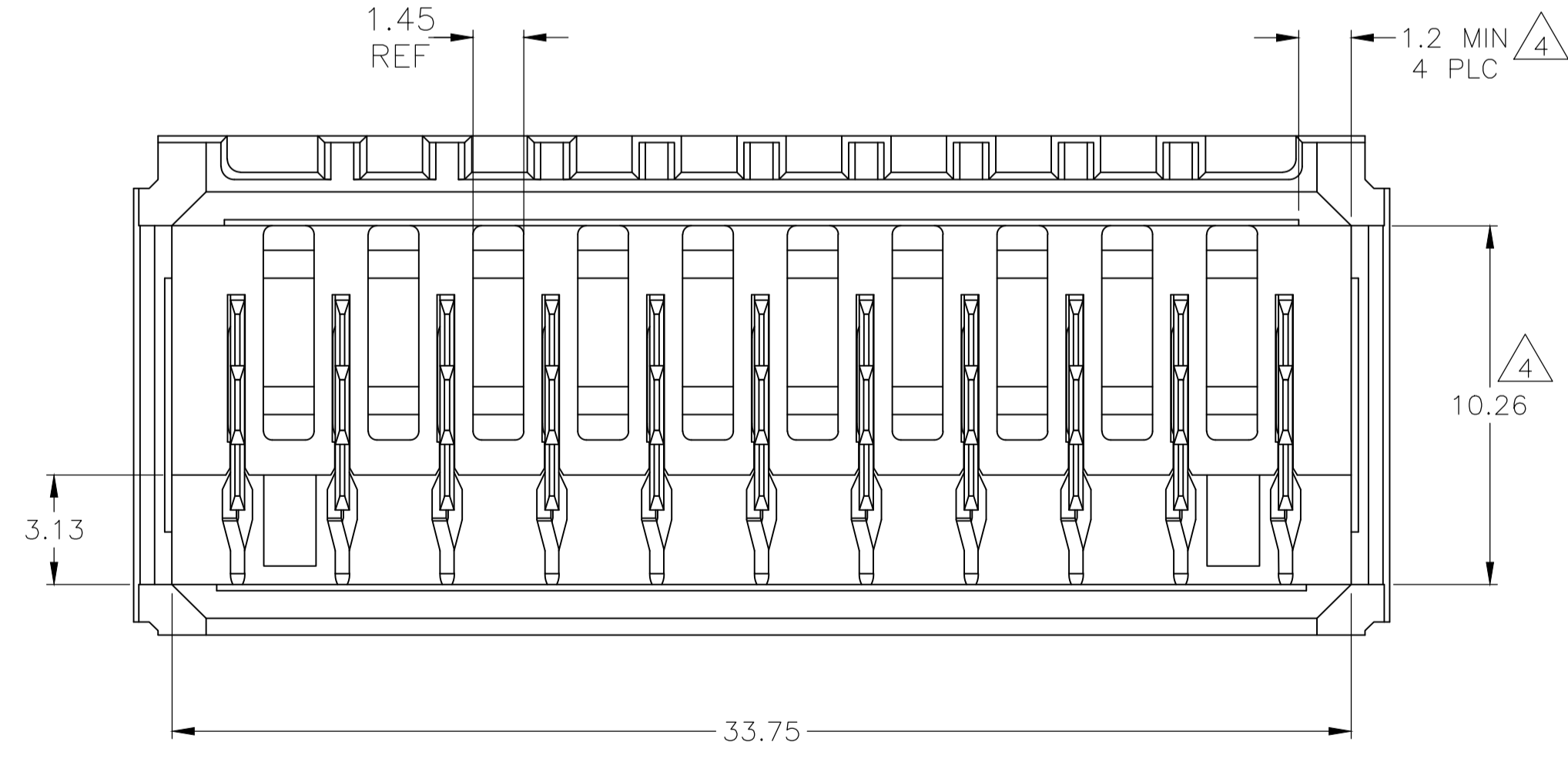


- 1 MATERIAL: HOUSING: POLYESTER. COLOR: GRAY. UL 94V-0. CONTACT: COPPER ALLOY.
- 2 FINISH: IN ACCORDANCE WITH PRODUCT SPECIFICATION 108-1651, GOLD PLATING OR EQUIVALENT PLATING ON PRODUCT CONTACT MATING AREA, AND MATTE TIN PLATING ON COMPLIANT PIN AREA, ALL OVER MATTE NICKEL UNDERPLATED. DETAIL PLEASE REFER TO PRODUCT SPECIFICATION 108-1651.
- 3 FINISH: CONTACT LUBRICATION WITH BELLCORE APPROVED LUBRICANT. TECHNICAL REFERENCE: GR-1217-CORE, ISSUE 1, NOVEMBER 1995.
- 4 THE 10.26±0.13 DIMENSION APPLIES IN THIS AREA.
- 5 REFERENCE APPLICATION SPEC 114-1103 FOR RECOMMENDED PLATED THRU HOLE DIAMETER AND PLATING THICKNESS.
- 6. CURRENT RATING 10A/CONTACT PER PRODUCT SPEC 108-1651.



SECTION W-W  
 SCALE 40:1

RECOMMENDED PCB HOLE LAYOUT



A,L	B,C,D,E,F,G,H,J,K	11	5646961-2
A,B,C,D,E,F,G,H,J,K,L	-	11	5646961-1
POSITIONS LOADED WITH 10.90 CONTACTS	POSITIONS LOADED WITH 9.30 CONTACTS	NO OF LOADED POSITIONS	PART NUMBER

THIS DRAWING IS A CONTROLLED DOCUMENT.

DIMENSIONS: mm	TOLERANCES UNLESS OTHERWISE SPECIFIED:	0 PLC ± -	1 PLC ± ±	2 PLC ± ± 0.13	3 PLC ± ±	4 PLC ± ±	ANGLES ± ±
MATERIAL	FINISH	1	2	3	CUSTOMER DRAWING		

DRN: B. CARBO	06DEC04	Tyco Electronics Corporation Harrisburg, Pa 17105-3608
CHK: R. PATTERSON	06DEC04	
APP'D: R. PATTERSON	06DEC04	NAME
PRODUCT SPEC	108-1651	ASSEMBLY, RIGHT ANGLE HEADER, W/ RETENTION PEGS, UNIVERSAL POWER MODULE
APPLICATION SPEC	114-1103	SIZE
WEIGHT	-	CAGE CODE
		DRAWING NO
		RESTRICTED TO
		A1 00779 C=5646961
		SCALE 1:1
		SHEET 1 OF 1
		REV C1

单击下面可查看定价，库存，交付和生命周期等信息

[>>TE Connectivity\(泰科\)](#)