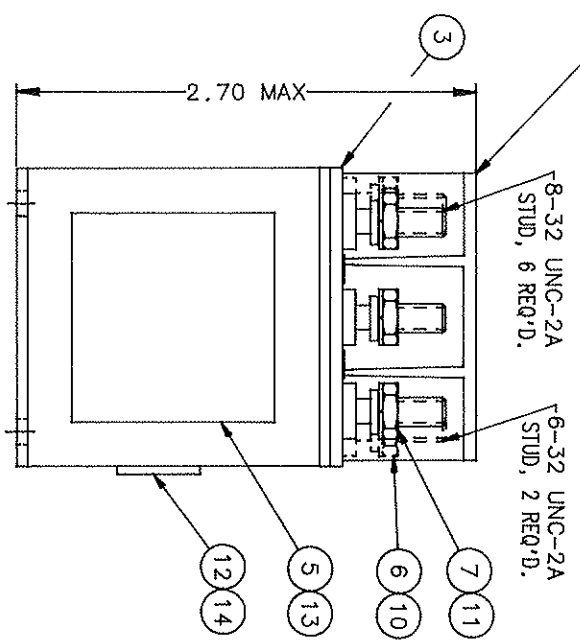
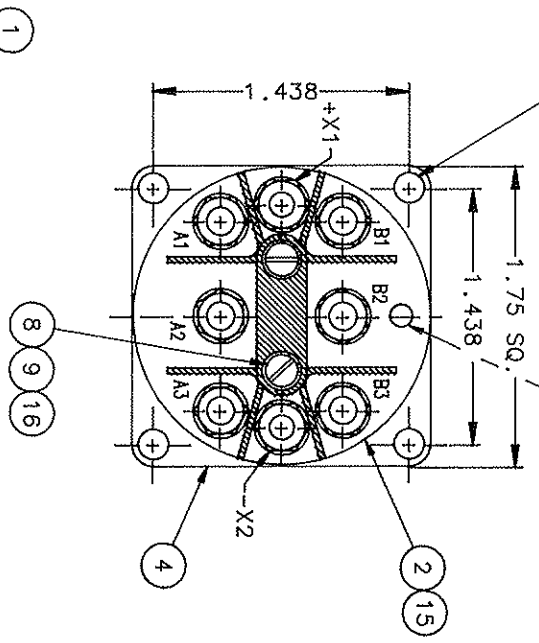


FAA/PMA

REV.	DESCRIPTION	DATE	APPROVED
J	24150 ITEM 2 WAS 16043-001	93/8/28	
K	26163 ITEM 16 ADDED, BALLOONS RELOCATED	94/6/22	

D-14DB

1.171 HOLE
4 MTG. HOLES
RIVET INDICATES ORIENTATION
OF TERMINALS.

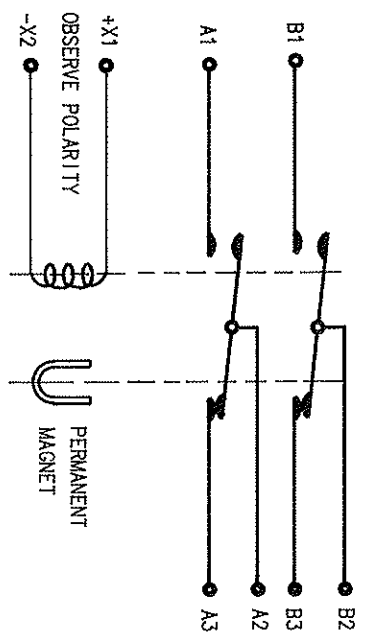


CONSTRUCTION
METALIC BASE
SOLDER SEALED

MAIN CONTACTS
2 PDT SIDESTABLE
VOLTAGE (NOM.)
115 OR 26 VAC 400 HZ
CURRENT (RES.)
25 AMP

COIL DATA
CONTINUOUS
DUTY CYCLE
28 VDC
NOM. COIL VOLTAGE
18 VDC MAX. HOT
PICKUP MAX.
7 VDC MAX
DROPOUT VOLTAGE

ENVIRONMENTAL DATA
AMBIENT TEMP.
-55°C TO +71°C
LIFE ELECTRICAL
50,000 CYCLES MIN.
100,000 CYCLES MIN.
LIFE MECHANICAL
8 OZ.
WEIGHT MAX
40,000 FT.
ALTITUDE



QTY	PART OR IDENTIFYING NO	NONCANTURE OR DESCRIPTION	FSCA NO	DRAWING OR SPECIFICATION	MATERIAL OR NOTE
16	2	51701-180 WASHER, 3/16 X .130 X .015			MYLAR
15	1	39529-023 OVERLAY			
14	1	39529-047 OVERLAY			
13	1	39529-001 OVERLAY			
12	1	38400-071 PLATE-FAA/PMA			
11	6	51808-034 WASHER-LOCK NO. 8 SPLIT			BRONZE
10	2	51806-014 WASHER-LOCK NO. 6 SPLIT			BRONZE
9	2	51805-021 WASHER-LOCK NO. 5 INT.			BRONZE
8	2	51205-291 SCREW 5-40 X 5/8 RD. HD.			BRASS
7	6	50408-014 NUT 8-32 X 1/4 X 5/64 HEX			BRASS
6	2	50406-034 NUT 6-32 X 1/4 X 3/32 HEX			BRASS
5	1	18943-001 PLATE-WIRING DIAGRAM			
4	1	39611-010 RELAY ASSEMBLY-PRIMARY			
3	1	16728-009 PLATE-BASE COVER			
2	1	16043-046 PLATE-NAME			
1	1	39676-001 SHIELD-TERMINAL			

UNLESS OTHERWISE SPECIFIED
DIMENSIONS ARE IN INCHES
TOLERANCES IN

2 PL. DEC.13 PL. DEC. ANGLES
* .06 * .010 * 1°

HARTMAN ELECTRICAL MANUFACTURING
MANSFIELD, OHIO

RELAY-2PDT
093

DR BY: FDW 1 94/6/24
CHK BY: PLS 94/6/27
ENG: WJL/SLT
MFG: WJA/SLT
RELEASE: WJA/SLT
CONTR. NO.:
GOVT. APPROV.:
SIZE: C
CODE IDENT: 74063
DWG NO.: D-14DB
SCALE: NONE
SHEET: 1

单击下面可查看定价，库存，交付和生命周期等信息

[>>TE Connectivity\(泰科\)](#)