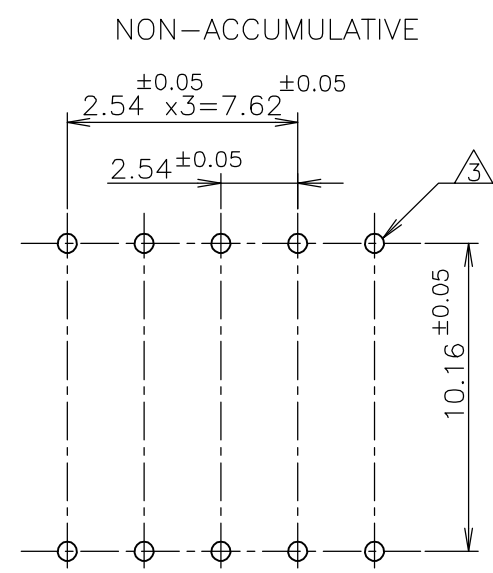
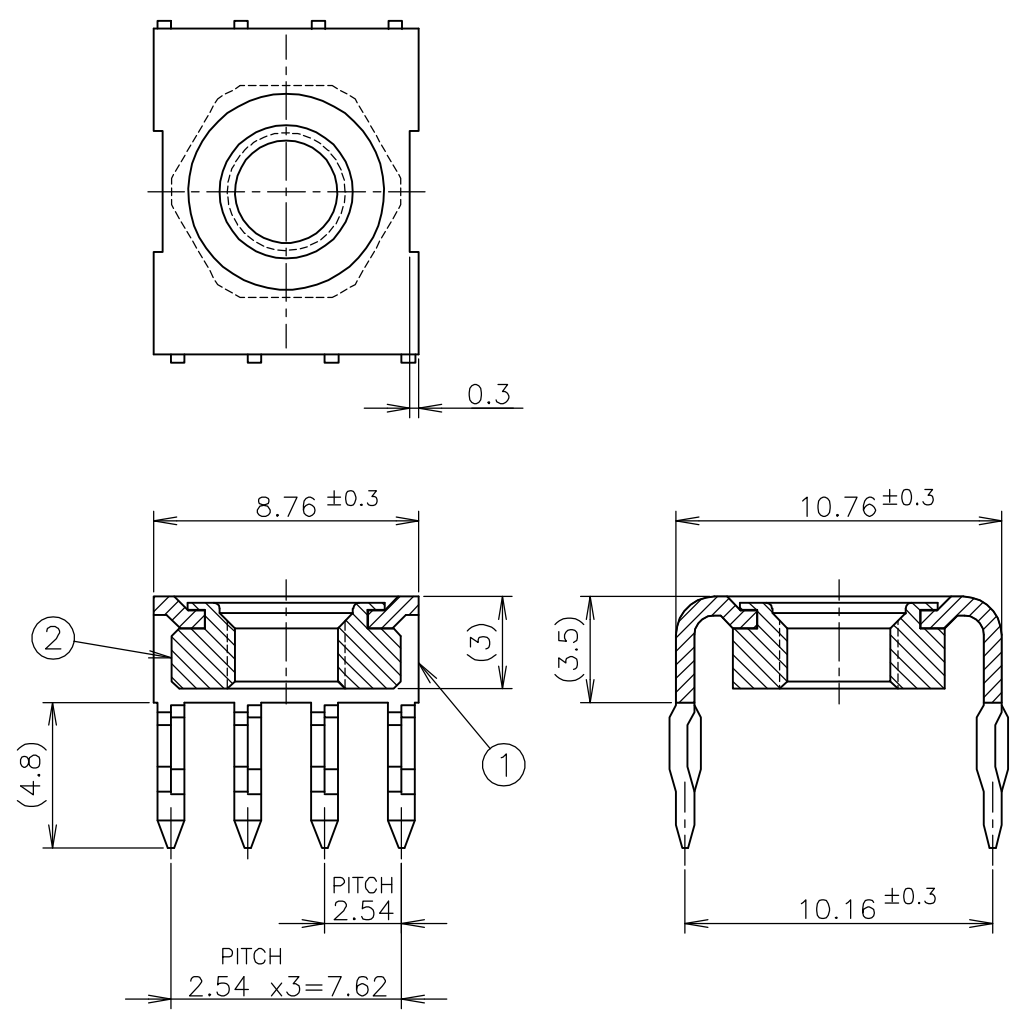


THIS DRAWING IS UNPUBLISHED. RELEASED FOR PUBLICATION OCT, 1978.  
 © COPYRIGHT 1978 BY TYCO ELECTRONICS CORPORATION. ALL RIGHTS RESERVED.

LOC	DIST	REVISIONS					
P	LTR	DESCRIPTION	DATE	DWN	APVD		
J	/	A	RELEASED	ECR-05-009552	15AUG05	C.Z	S.Y

-2; AS SHOWN



RECOMMENDED PCB LAYOUT  
(SEE NOTE 3)

- NOTES:
- USE SCREW AND SPRING WASHER AS FOLLOWING:  
M4 SCREW  
SPRING WASHER: NOMINAL DIAMETER 4.
  - RECOMMENDED PCB LAYOUT (USED BY ACTION-PIN)
    - PCB MATERIAL: GLASS EPOXY  
NEMA GIO, GII, FR4
    - PCB THICKNESS: 1.5MIN.
    - THRU HOLE TREATMENT:  $\phi 1.0^{\pm 0.025}$
    - COPPER FOIL THICKNESS: 25~75 $\mu$
    - COPPER FOIL HARDNESS: 150KNOOPMAX.
    - FINISH DIAMETER:  $\phi 0.9^{\pm 0.05}$  (AFTER PL.)
  - IF IT IS USED BY SOLDERING,  
THRU HOLE DIAMETER:  $\phi 1.30^{\pm 0.05}$  (8 POSITIONS)

M4 CURLING NUT	②
8P POWER TAP CONTACT	①
NAME	ITEM

GENERAL TOLERANCE  
 $10 \geq : \pm 0.2$   
 $30 \geq > 10 : \pm 0.25$   
 $100 \geq > 30 : \pm 0.3$   
 ANGLES:  $\pm 3'$

THIS DRAWING IS A CONTROLLED DOCUMENT.	
DIMENSIONS: mm	TOLERANCES UNLESS OTHERWISE SPECIFIED:
	0 PLC $\pm -$
	1 PLC $\pm -$
	2 PLC $\pm -$
	3 PLC $\pm -$
	4 PLC $\pm -$
	ANGLES $\pm -$
MATERIAL COPPER ALLOY	FINISH TIN PL.

DWN C.ZHU 15AUG05	Tyco Electronics AMP K.K. Kawasaki, Japan	
CHK I.WANG 15AUG05	8POS AMP POWER TAP CONNECTOR	
APVD S.YAO 15AUG05	NAME	RESTRICTED TO
PRODUCT SPEC	SIZE A3	CAGE CODE 00779
APPLICATION SPEC	DRAWING NO C-5174882	REV A
WEIGHT	SCALE 4:1	SHEET 1 OF 1
CUSTOMER DRAWING		

单击下面可查看定价，库存，交付和生命周期等信息

[>>TE Connectivity\(泰科\)](#)