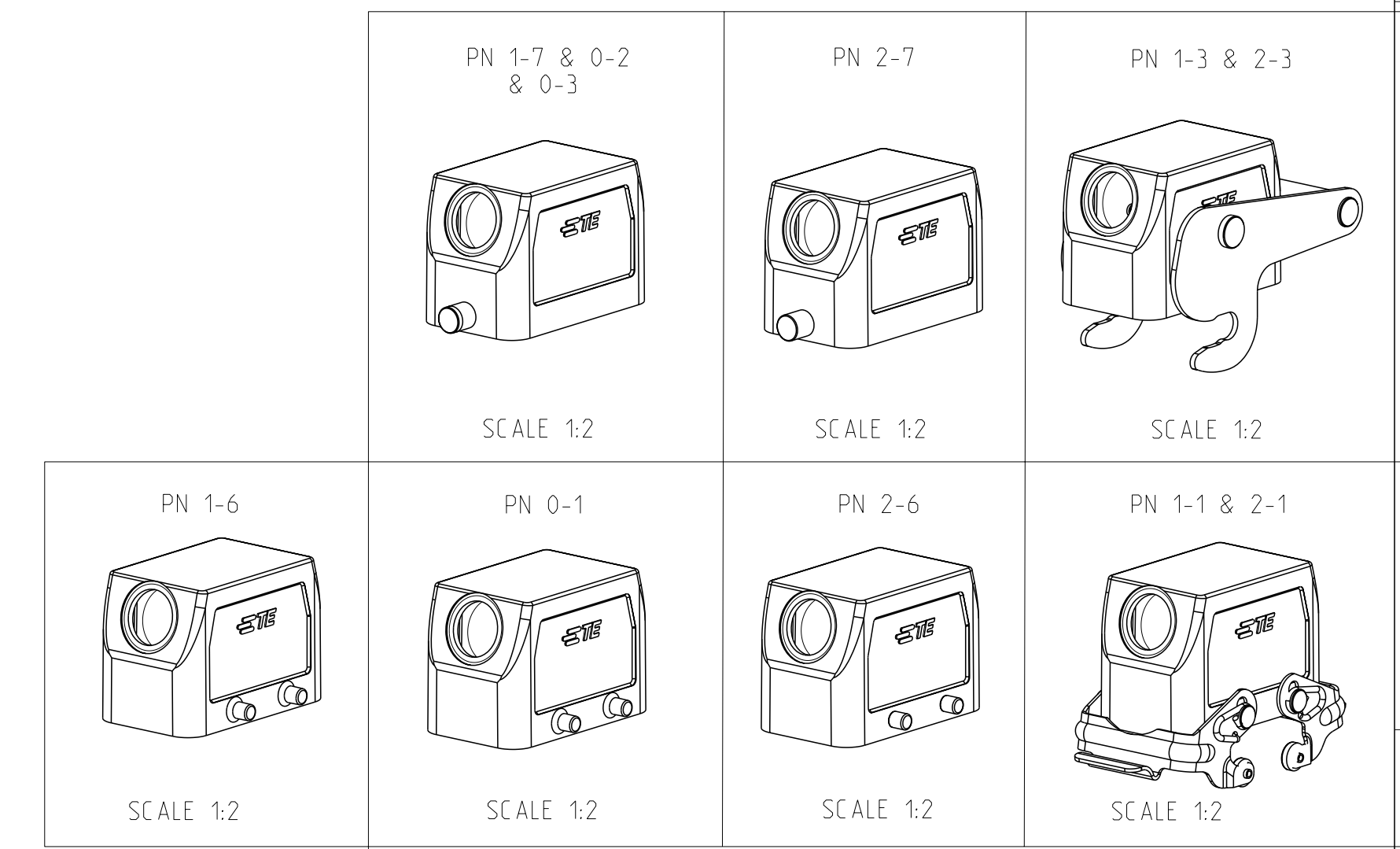


REVISIONS				
#	DATE	DESCRIPTION	DATE	OWN APVD
A6		Released as per ECR-07-030422	17.12.07	SP TS
A7		ECR-16-015318	26DEC12017	GR MKO
A8		REVISED PER ECR-17-013084	11JAN2018	SRG MKO

- NOTES.
- 1 Material:Housing:Aluminium Diecasting Alloy
 - 2 Surface-Powder Varnish Grey
-Aluminium Oxide -
Varnish Black
 - 3 Varnish on the inside not necessary
 - 4 Packaging
Quantity 5 Pieces in a box



QTY	DESCRIPTION	MATERIAL	SURFACE	COLOR	ITEM NO	NOTES
1	ZB-Central clip	Stainless steel	Blank	-	11	
1	ZB-Central clip	Steel	Zinc plated	Blue	10	
2	LB- Clip bolt	Stainless steel	Blank	-	9	
2	LB- Clip bolt	Steel	Zinc plated	Blue	8	
	VS-Side clip	Stainless steel	Blank	-	7	
	VS-Side clip	Steel	Zinc plated	Blue	6	
	VS- Clip bolt	Stainless steel	Blank	-	5	
1	HB- Hood	Aluminium	-	No varnish	4	
	HB- Hood	Aluminium	-	Grey	3	Identification plate
1	HB-K Hood	Aluminium	Aluminium oxide	Black	2	
1	HB- Hood	Aluminium	-	Grey	1	
0-32-31-32-70-21-72-11-12-60-11-6	DESCRIPTION	MATERIAL	SURFACE	COLOR	ITEM NO	NOTES
	HB.10.STS.1.16.G					
	HB.10.STS.1.16.G					
	HB-K.10.STS.1.16.G					
	HB.10.STS-VS.1.16.G					
	HB-K.10.STS-VS.1.16.G					
	HB.10.STS-GR.1.16.G					
	HB.10.STS-GR.1.9.G					
	HB-K.10.STS-GR.1.16.G					
	HB-Z.10.STS-ZB.1.16.G					
	HB-K/Z.10.STS-ZB.1.16.G					
	HB.10.STS-GR.1.16.G					

THIS DRAWING IS A CONTROLLED DOCUMENT. DWG Schneider 19.05.00
 CHK Schweiger 19.05.00

DIMENSIONS: mm TOLERANCES UNLESS OTHERWISE SPECIFIED:
 0 mm ±0.1
 1 PLC ±0.1
 2 PLC ±0.1
 3 PLC ±0.1
 4 PLC ±0.1
 ANGLES FINISH *

MATERIAL: - FINISH: - WEIGHT: -

CUSTOMER DRAWING

NAME: HB Hood
 HB.10.STS.1.16.G

PRODUCT SPEC: - APPLICATION SPEC: -

SIZE: A1 CAGE CODE: 00779 DRAWING NO: C=1102261 RESTRICTED TO: -

SCALE: 1:1 SHEET: 1 OF 1 REV: A8

单击下面可查看定价，库存，交付和生命周期等信息

[>>TE Connectivity\(泰科\)](#)